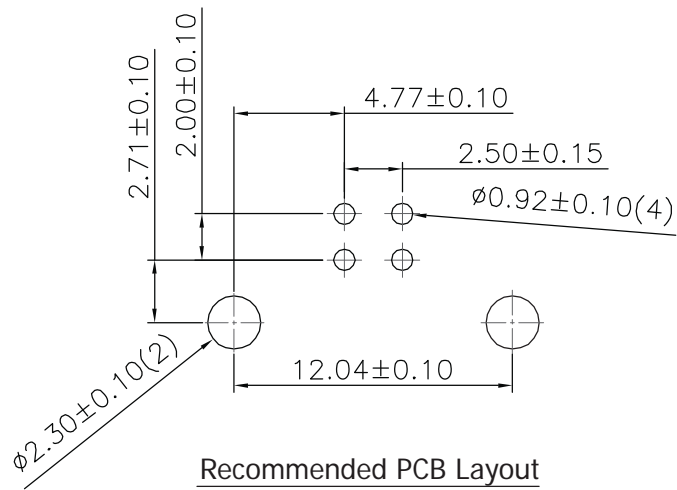
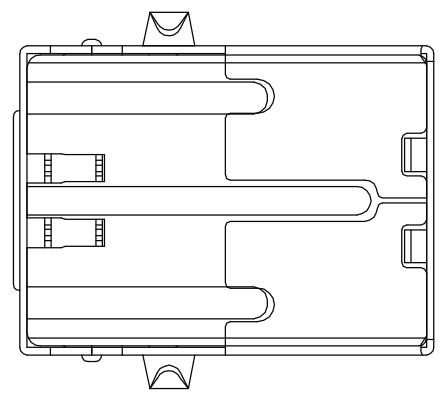


- Material:**
- Contacts: Phosphor Bronze
 - Insulator: PBT
 - Shell: Brass
- Mechanical:**
- Mating: 35N Max.
 - Withdrawal Force: 10N Min.
 - Durability: 1,500 Cycles Min.
- Electrical:**
- Current - Max(Amps): 1.5A
 - Voltage - Max(Volts): 30V
 - Withstanding voltage: 500V AC
 - Contact Resistance: 30MΩ Max.
 - Insulation Resistance: 1,000MΩ Min.
- Plating:**
- Contacts: 30μ" gold plating
 - Shell: Nickel over all plating
- Environmental:**
- Temperature: -55°C ~ +50°C
 - Soldering Temperature: 223.3°C Max.



Unit: mm



Scale	1:1					Date	Name	Title USB 2.0 Connector - Type B PCB Mounting, 30μ" Gold, White Insulator
TOLERANCE						Drawn	Chappell	
X.X	±0.40					Approved	Skinner	ASSMANN WSW-No.
X.XX	±0.25							AU-Y1007-2-R
X.XXX	±0.15							Drawing-No.
DIM	TOL					ASSMANN WSW components		rev01
X.°	±3°							
X.X°	±X°	①	Changed Insulator: LCP+30% GF, UL94-V-0, Black to PCB Changed Temperature Range from -55°C~+85°C to -55°C~+50°C	01.04.12	Chappell			Replace
Angle	TOL	Id.	Modification	Date	Name	<small>1840 W. Drake Drive, Suite 101 • Tempe, AZ 85283 Toll Free: 1-877-277-6266 • Email: info@assmann.us</small>		Sheet 1/1