

30 Watts AK60C

Total Power: 30 Watts
Input Voltages: 48V
No. of Outputs: Single



Electrical Specs

Input

Input range	36-75 VDC
Input Surge	100V / 100ms
Efficiency	84%@5V

Output

Load regulation	0.2% max (add 10mV for Vo 3.3V or less)
Line regulation	0.2% max (5V or greater) (10mV for 3.3V or less)
Ripple and noise	100mV max
Output voltage adjust range	+10-20% of nominal output
Transient Response	5% max deviation with 50% to 75% full load 500 μ S (max) recovery

Overvoltage protection Inception of current Limit	140% maximum output
---	---------------------

Control

Voltage Adjust Enable	80 to 110% TTL compatible (positive & negative enable options)
--------------------------	--

Special Features

- Industry standard pin-out & performance 100°C baseplate temperature (no derating)
- Positive and negative enable function
- Low output ripple and noise
- Multiple pin length options
- Remote sense compensation
- Regulation to zero load
- Fixed frequency switching (300 kHz)

Environmental

Operating case temperature range:

-40°C to +105°C

Storage temperature: -55°C to +125°C

MTBF: >1 million hours

Safety

UL	UL1950
CSA	CSA22.2-950
TUV	EN60950

AMERICAS

5810 Van Allen Way
 Carlsbad, CA 92008
 Telephone: 760-930-4600
 Facsimile: 760-930-0698

EUROPE

Astec House, Waterfront Business Park
 Merry Hill, Dudley
 West Midlands, DY5 1LX, UK
 Telephone: +44(0)1384-842211
 Facsimile: +44(0)1384-843355

ASIA

17th Floor, Lu Plaza
 2 Wing Yip Street
 Kwun Tong, Kowloon
 Hong Kong SAR
 Telephone: 852-2176-3333
 Facsimile: 852-2176-3888



AK60C

Ordering Information

Input Voltage	Output Voltage	Model Number
48V	3.3V @ 6.5A	AK60C-048L-033F08
48V	5.0V @ 6.0A	AK60C-048L-050F06

NOTES:
 Enable Function
 "N" = negative logic enable (without "N" = positive enable)

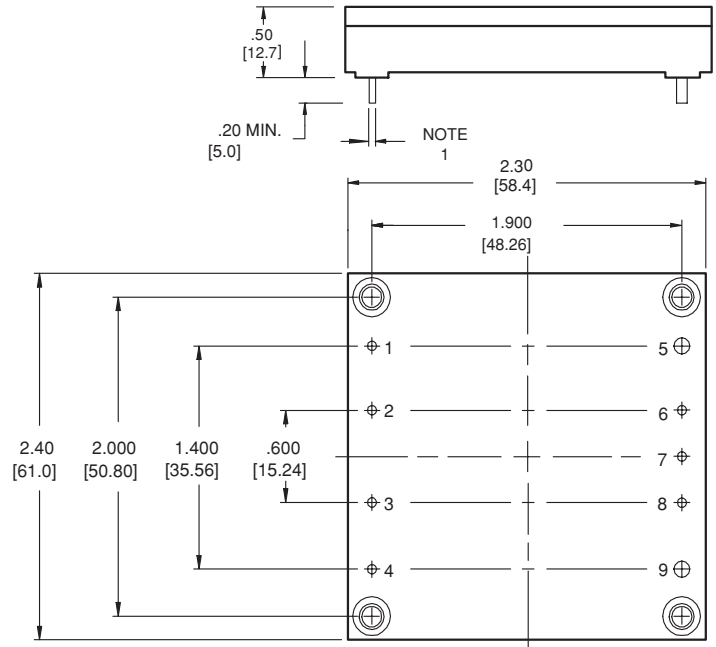
Pin Assignments

Single Output

1. -Vin
2. Case
3. Enable (on/off)
4. +Vin
5. -5V Rtn
6. -Sense
7. Trim
8. +Sense
9. +5V Out

NOTES

1. 20 MHz bandwidth. An external 2.2 mf ceramic capacitor is recommended to be placed from +V out to -V out.
2. Requires a 2.2 mf, 100V film capacitor connected between +V in and -V in to meet FCC class A and ETS300-386-1 requirements for conducted noise. Consult Factory for filtering information to meet FCC class B, VDE or EIC specifications.
3. All specifications are typical at nominal line, full load, and 25°C unless otherwise noted.
4. All specifications subject to change without notice. Mechanical drawings are for reference only.
5. Please refer to the Technical Reference Notes for more information.
6. Warranty: 1 yr



Mounting Inserts
 M3 X .5 (4 places)

BOTTOM VIEW

Case Material: Metal base/cover
 Weight: 2.75 Oz / 78 Grams