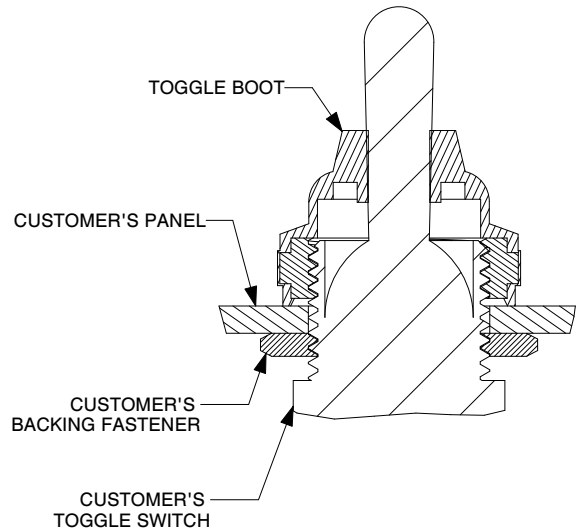
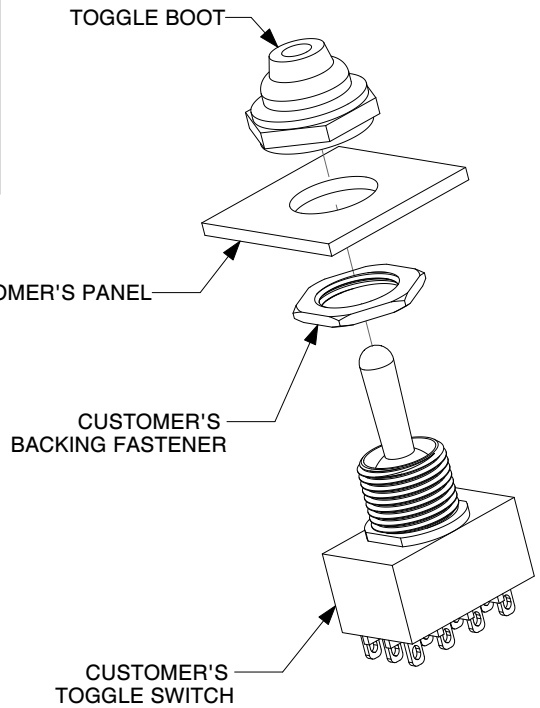
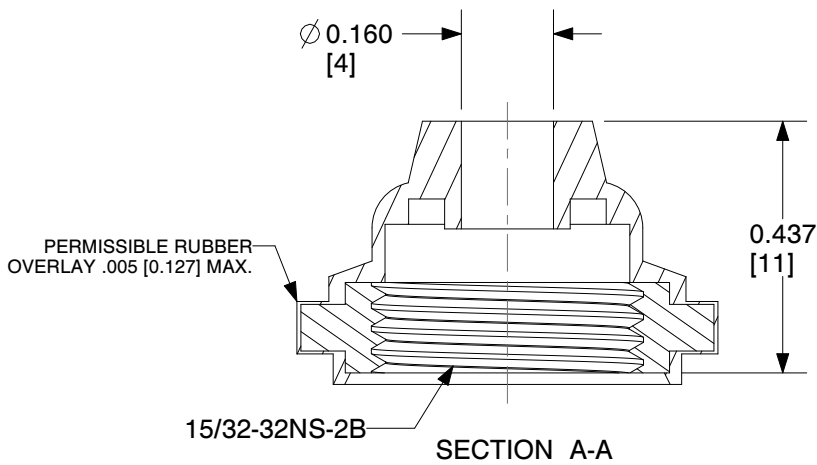
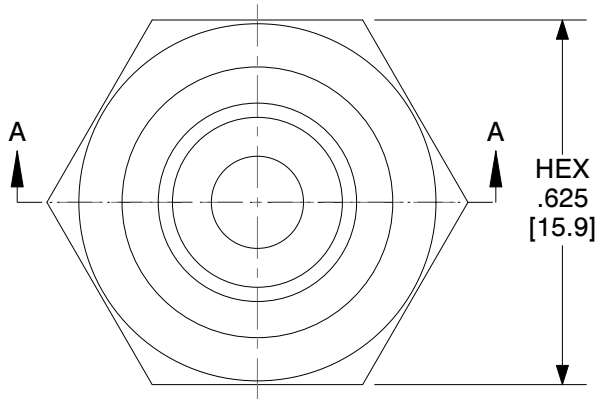


SPECIFICATIONS

Material: Silicone rubber conforms to AA-59588 Class III, GR50 (unless otherwise specified).
Mounting Nut: Brass, black oxide
Temperature Range: -94° F to +400° F (-70° C to +204° C).
Pressure Range: Exceeds 15 psi internal and 1500 psi external.
Operational Life: 50,000 actuations (minimum).
Shelf Life: Excess of 25 years.
Resistant to: Salt spray, sunlight, ozone, weather, fungus, and most acids and lubricating oils.
Agency Recognition: UL & ULC Recognized to UL Std. 50



TOLERANCES: UNLESS OTHERWISE NOTED $\pm 1/32$ [± 0.793].

A	REVISED THREADS NOTATION FROM 1/2-32 TO 15/32-32	DAN LAW	10.10.12
REV.	DESCRIPTION		DATE
MAXIMUM AND MINIMUM MEASUREMENTS ARE STATED DIRECTLY ON EACH DIMENSION.	TITLE: BOOT TOGGLE SWITCH EXPOSED BAT (N-1030B 160 ID)	ENG. S. GOK	03.04.09
MAT'L: SILICONE RUBBER conforms to A-A-59588, Gr.50		DWN: S. GOK	03.04.09
FINISH: GRAY	APM-HEXSEAL CORPORATION	CHKD. KEN S.	10.10.12
		SCALE 3:1	DWG.NO. N1030B 160 ID

THIS DRAWING COVERS PROPRIETARY ITEM AND IS THE PROPERTY OF THE APM-HEXSEAL CORPORATION.
 THIS DRAWING IS NOT TO BE COPIED OR USED WITHOUT THE WRITTEN APPROVAL OF AN OFFICER OF THE APM-HEXSEAL CORPORATION.