

## Precision Voltage Reference

### FEATURES

- ◆ Very High Accuracy: +5 V Output,  $\pm 0.8$  mV
- ◆ Extremely Low Drift: 1.33 ppm/°C (-55°C to +125°C)
- ◆ Excellent Stability: 6 ppm/1000 Hrs. Typical
- ◆ Excellent Line Regulation: 6 ppm/V Typical
- ◆ Wide Supply Range: +13.5 V to +22 V
- ◆ Hermetic 20-terminal Ceramic LCC
- ◆ Military Processing Option

### APPLICATIONS

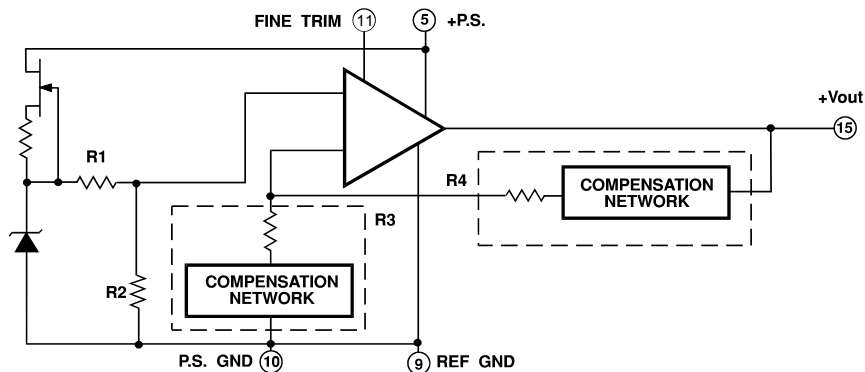
- ◆ Precision A/D and D/A Converters
- ◆ Transducer Excitation
- ◆ Accurate Comparator Threshold Reference
- ◆ High Resolution Servo Systems
- ◆ Digital Voltmeters
- ◆ High Precision Test and Measurement Instruments

### DESCRIPTION

VRE205 Series Precision Voltage References provides ultrastable +5 V outputs with  $\pm 0.8$  mV initial accuracy and temperature coefficient as low as 1.33 ppm/°C over the full military temperature range. This improvement in accuracy is made possible by a unique, proprietary multipoint laser compensation technique. Significant improvements have been made in other performance parameters as well, including initial accuracy, warm-up drift, line regulation, and longterm stability, making the VRE205 series the most accurate and stable 5 V references available.

VRE205 series devices are available in two operating temperature ranges, -25°C to +85°C and -55°C to +125°C, and two performance grades. All devices are packaged in 20-terminal ceramic LCC packages for maximum long-term stability. "M" versions are screened for high reliability and quality.

**Figure 1. BLOCK DIAGRAM**



### SELECTION GUIDE

Model	Output (V)	Temperature Operating Range	Volt Deviation (Max)
VRE205C	+5V	-25°C to +85°C	0.5mV
VRE205CA	+5V	-25°C to +85°C	0.4mV
VRE205M	+5V	-55°C to +125°C	0.7mV
VRE205MA	+5V	-55°C to +125°C	0.6mV



**20-terminal Ceramic LCC  
Package Style HD**

## 1. CHARACTERISTICS AND SPECIFICATIONS

### ELECTRICAL SPECIFICATIONS

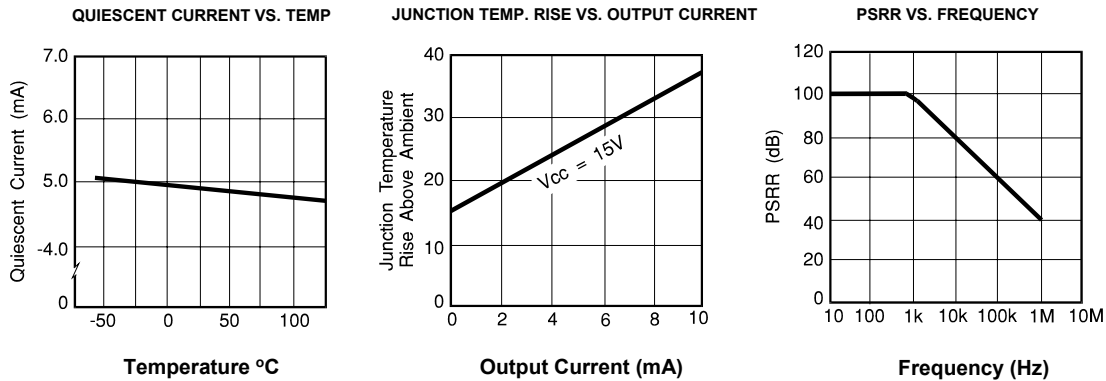
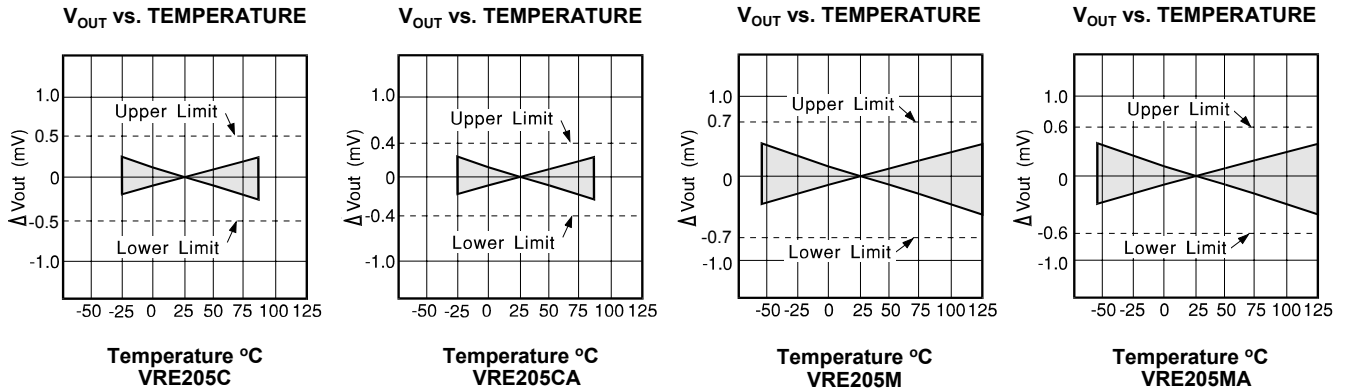
$V_{PS} = +15V$ ,  $T = +25^{\circ}C$ ,  $R_L = 10K \Omega$  UNLESS OTHERWISE NOTED.

Model	C			CA			M			MA			Units
Parameter	Min	Typ	Max	Min	Typ	Max	Min	Typ	Max	Min	Typ	Max	Units
<b>ABSOLUTE MAXIMUM RATINGS</b>													
Power Supply	+13.5		+22	*		*	*		*	*		*	V
Operating Temperature	-25		+85	*		*	-55		+125	-55		+125	$^{\circ}C$
Storage Temperature	-65		+150	*		*	*		*	*		*	$^{\circ}C$
Short Circuit Protection	Continuous			*			*			*			
<b>OUTPUT VOLTAGE</b>													
VRE205		+5			*			*			*		V
<b>OUTPUT VOLTAGE ERRORS</b>													
Initial Error			$\pm 900$			$\pm 800$			$\pm 900$			$\pm 800$	$\mu V$
Warmup Drift		2			1			2			1		ppm
$T_{MIN} - T_{MAX}$ (Note1)			500			400			700			600	$\mu V$
Long-Term Stability		6			*			*			*		ppm/1000hrs
Noise (0.1 - 10Hz)		3			*			*			*		$\mu Vpp$
<b>OUTPUT CURRENT</b>													
Range	$\pm 10$			*			*			*			mA
<b>REGULATION</b>													
Line		6	10		*	*		*	*		*	*	ppm/V
Load		3			*			*			*		ppm/mA
<b>OUTPUT ADJUSTMENT</b>													
Range		10			*			*			*		mV
Temperature Coefficient		4			*			*			*		$\mu V/^{\circ}C/mV$
<b>POWER SUPPLY CURRENT (Note 2)</b>													
VRE205 +PS		5	7		*	*		*	*		*	*	mA

#### NOTES:

- \* Same as C Models.
- 1. Using the box method, the specified value is the maximum deviation from the output voltage at  $25^{\circ}C$  over the specified operating temperature range.
- 2. The specified values are unloaded.

## 2. TYPICAL PERFORMANCE GRAPHS



## 3. THEORY OF OPERATION

The following discussion refers to the schematic in Figure 1. A FET current source is used to bias a 6.3 V zener diode. The zener voltage is divided by the resistor network R1 and R2. This voltage is then applied to the noninverting input of the operational amplifier which amplifies the voltage to produce a 5 V output. The gain is determined by the resistor networks R3 and R4:  $G=1 + R4/R3$ . The 6.3 V zener diode is used because it is the most stable diode over time and temperature.

The current source provides a closely regulated zener current, which determines the slope of the references' voltage vs. temperature function. By trimming the zener current a lower drift over temperature can be achieved. But since the voltage vs. temperature function is nonlinear this compensation technique is not well suited for wide temperature ranges.

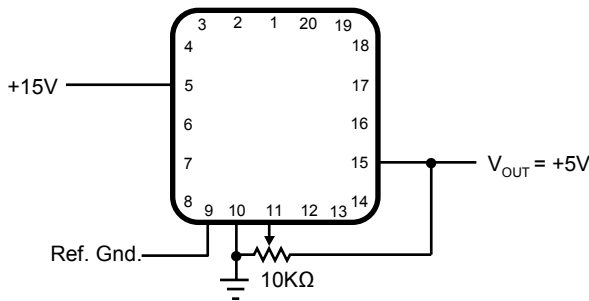
A nonlinear compensation network of thermistors and resistors is used in the VRE series voltage. This proprietary network eliminates most of the nonlinearity in the voltage vs. temperature function. By then adjusting the slope, a very stable voltage over wide temperature ranges is produced. This network is less than 2% of the overall network resistance so it has a negligible effect on long term stability. By using highly stable resistors in our network, we produce a voltage reference that also has very good long term stability.

#### 4. APPLICATION INFORMATION

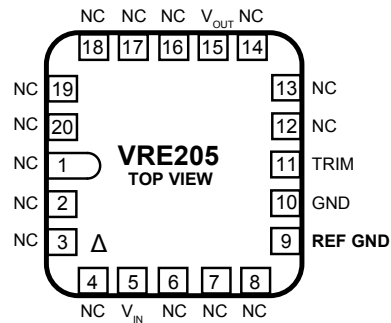
The proper connection of the VRE205 series voltage references with the optional trim resistor is shown below. Pay careful attention to the circuit layout to avoid noise pickup and voltage drops in the lines.

The VRE205 series voltage references have the ground terminal brought out on two pins (pin 9 and pin 10) which are connected together internally. This allows the user to achieve greater accuracy when using a socket. Voltage references have a voltage drop across their power supply ground pin due to quiescent current flowing through the contact resistance. If the contact resistance was constant with time and temperature, this voltage drop could be trimmed out. When the reference is plugged into a socket, this source of error can be as high as 20 ppm. By connecting pin 10 to the power supply ground and pin 9 to a high impedance ground point in the measurement circuit, the error due to the contact resistance can be eliminated. If the unit is soldered into place, the contact resistance is sufficiently small that it does not effect performance.

#### EXTERNAL CONNECTIONS



#### PIN CONFIGURATION



#### CONTACTING CIRRUS LOGIC SUPPORT

For all Apex Precision Power product questions and inquiries, call toll free 800-546-2739 in North America.

For inquiries via email, please contact [apex.support@cirrus.com](mailto:apex.support@cirrus.com).

International customers can also request support by contacting their local Cirrus Logic Sales Representative.

To find the one nearest to you, go to [www.cirrus.com](http://www.cirrus.com)

#### IMPORTANT NOTICE

Cirrus Logic, Inc. and its subsidiaries ("Cirrus") believe that the information contained in this document is accurate and reliable. However, the information is subject to change without notice and is provided "AS IS" without warranty of any kind (express or implied). Customers are advised to obtain the latest version of relevant information to verify, before placing orders, that information being relied on is current and complete. All products are sold subject to the terms and conditions of sale supplied at the time of order acknowledgment, including those pertaining to warranty, indemnification, and limitation of liability. No responsibility is assumed by Cirrus for the use of this information, including use of this information as the basis for manufacture or sale of any items, or for infringement of patents or other rights of third parties. This document is the property of Cirrus and by furnishing this information, Cirrus grants no license, express or implied under any patents, mask work rights, copyrights, trademarks, trade secrets or other intellectual property rights. Cirrus owns the copyrights associated with the information contained herein and gives consent for copies to be made of the information only for use within your organization with respect to Cirrus integrated circuits or other products of Cirrus. This consent does not extend to other copying such as copying for general distribution, advertising or promotional purposes, or for creating any work for resale.

CERTAIN APPLICATIONS USING SEMICONDUCTOR PRODUCTS MAY INVOLVE POTENTIAL RISKS OF DEATH, PERSONAL INJURY, OR SEVERE PROPERTY OR ENVIRONMENTAL DAMAGE ("CRITICAL APPLICATIONS"). CIRRUS PRODUCTS ARE NOT DESIGNED, AUTHORIZED OR WARRANTED TO BE SUITABLE FOR USE IN PRODUCTS SURGICALLY IMPLANTED INTO THE BODY, AUTOMOTIVE SAFETY OR SECURITY DEVICES, LIFE SUPPORT PRODUCTS OR OTHER CRITICAL APPLICATIONS. INCLUSION OF CIRRUS PRODUCTS IN SUCH APPLICATIONS IS UNDERSTOOD TO BE FULLY AT THE CUSTOMER'S RISK AND CIRRUS DISCLAIMS AND MAKES NO WARRANTY, EXPRESS, STATUTORY OR IMPLIED, INCLUDING THE IMPLIED WARRANTIES OF MERCHANTABILITY AND FITNESS FOR PARTICULAR PURPOSE, WITH REGARD TO ANY CIRRUS PRODUCT THAT IS USED IN SUCH A MANNER. IF THE CUSTOMER OR CUSTOMER'S CUSTOMER USES OR PERMITS THE USE OF CIRRUS PRODUCTS IN CRITICAL APPLICATIONS, CUSTOMER AGREES, BY SUCH USE, TO FULLY INDEMNIFY CIRRUS, ITS OFFICERS, DIRECTORS, EMPLOYEES, DISTRIBUTORS AND OTHER AGENTS FROM ANY AND ALL LIABILITY, INCLUDING ATTORNEYS' FEES AND COSTS, THAT MAY RESULT FROM OR ARISE IN CONNECTION WITH THESE USES.

Cirrus Logic, Cirrus, and the Cirrus Logic logo designs, Apex Precision Power, Apex and the Apex Precision Power logo designs are trademarks of Cirrus Logic, Inc. All other brand and product names in this document may be trademarks or service marks of their respective owners.