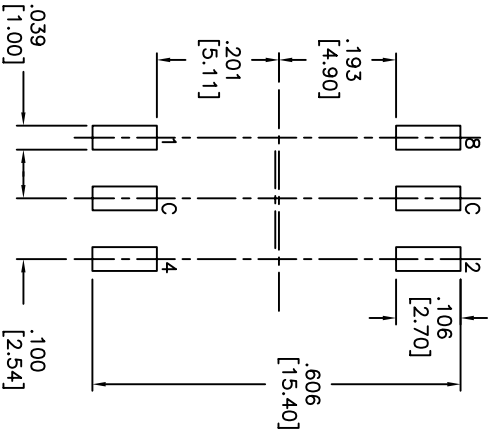
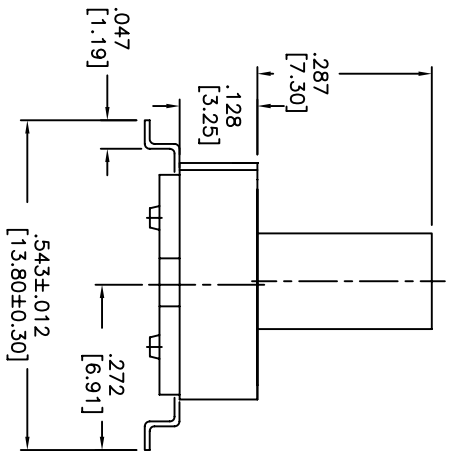
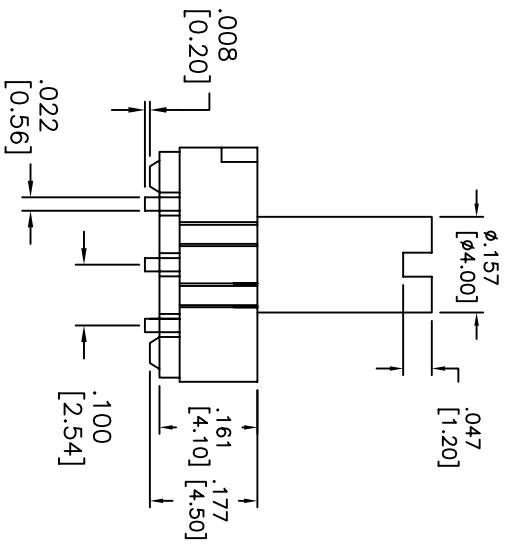
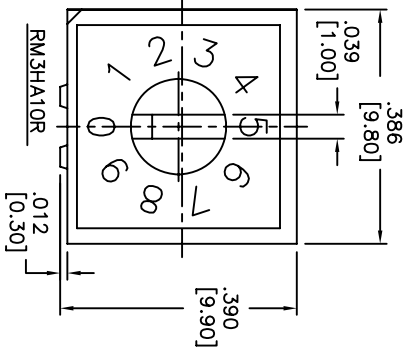
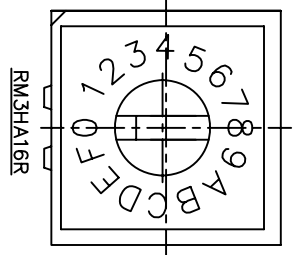


THIS DOCUMENT IS THE PROPERTY OF APDM COMPONENTS AND SHALL NOT BE COPIED, REPRODUCED, DISCLOSED OR USED AS THE BASIS FOR MANUFACTURING OR SALE WITHOUT PERMISSION OF A DULY AUTHORIZED REPRESENTATIVE OF APDM COMPONENTS INC.



P.C.B. LAYOUT
UNLESS OTHERWISE SPECIFIED
P.C. TOLERANCES ARE ±.002 [0.05]

DATE	SYM	REVISION RECORD	DWN.	CK.

Q.A. INSPECT: DESIGNATES CRITICAL DIMENSION

TOLERANCES
(UNLESS OTHERWISE SPECIFIED)
.XX = ±.02 [0.05]
.XXX = ±.008 [0.20]
.XXXX = ±.0008 [0.02]
ANGLE = 30.5°

APDM
APDM COMPONENTS INC.
63 NEEK RD. 01835
HOVERHILL, MA 01835
TEL: 413-237-3554 FAX: 413-237-3554

DRN. CJD
BR. PJD
OR. PJD

INCH SHEET SIZE SCALE THIRD ANGLE PROJECTION
(MM) 1 OF 2 B 5:1

TITLE
ROTARY DIP SWITCH

DATE 5/31/07 DRAWING NO. RM3HA***V** REV A

DO NOT SCALE FROM DRAWING

THIS DOCUMENT IS THE PROPERTY OF APEM COMPONENTS AND SHALL NOT BE COPIED, REPRODUCED, DISCLOSED OR SALE WITHOUT PERMISSION OF A DULY AUTHORIZED REPRESENTATIVE OF APEM COMPONENTS INC.


DESCRIPTION: SURFACE MOUNT ROTARY DIP SWITCH
 SPECIFICATIONS:
 RATING (SWITCHING): 25ma @ 24VDC
 RATING (NON-SWITCHING): 100ma @ 50VDC
 CONTACT RESISTANCE (INITIAL): 100 MOHMS MAX.
 CONTACT RESISTANCE (FINAL AFTER-TEST): 200 MOHMS MAX.
 DIELECTRIC STRENGTH: 250VAC FOR 1 MINUTE
 INSULATION RESISTANCE: 100 MOHMS MIN. @ 250VDC
 OPERATING TEMPERATURE RANGE: -25°C TO +80°C
 STORAGE TEMPERATURE RANGE: -40°C TO +85°C
 LIFE: 200 MOHMS MAX 20,000 STEPS
 ELECTRO STATIC CAPACITY: 5pF MAX.
 HUMIDITY: 40°C±2°C 90-95% RH FOR 96 HOURS.
 THERMAL TEST: 85°C±2°C FOR 96 HOURS.
 COLD TEST: -40°C±3°C FOR 96 HOURS.
 VIBRATION RESISTANCE: PASSES METHOD 201A MIL-STD-202F
 SHOCK RESISTANCE: 50G PER METHOD 213B MIL-STD-202F
 OPERATION FORCE: 200gf CM MAX
 SOLDERABILITY: 230± 5°C FOR 3 SECONDS
 MATERIALS:
 BASE: UL94V-0 NYLON THERMOPLASTIC
 COLOR, BLACK
 COVER: UL94V-0 NYLON THERMOPLASTIC
 COLOR, BLACK
 ACTUATOR: UL94V-0 LCP THERMOPLASTIC
 COLOR, WHITE
 CONTACT: COPPER ALLOY WITH GOLD OVER NICKEL PLATING.
 TERMINAL: BRASS WITH GOLD PLATING.
 ROHS COMPLIANT

NUMBER OF POSITIONS: RM3HA***V*
 10=10
 16=16
 REAL CODES: _____
 R= REGULAR
 C= COMPLIMENTARY
 PACKAGING:
 = TUBE
 = TAPE & REEL

TYPE	POSITION	CODE			
		1	2	4	8
10 STEP	0 F	●	●	●	●
	1 E	○	●	●	●
	2 D	●	○	●	●
	3 C	○	○	●	●
	4 B	●	●	○	●
	5 A	○	●	○	●
	6 9	●	○	○	●
	7 8	○	○	○	●
	8 7	●	●	●	○
16 STEP	9 6	○	●	●	○
	A 5	●	○	○	○
	B 4	○	○	○	○
	C 3	●	●	○	○
	D 2	○	○	○	○
	E 1	●	○	○	○
	F 0	○	○	○	○

CIRCUIT CHART

DATE	SYM	REVISION RECORD	DWN.	CK.

0A. INSECT:  DESIGNATES CRITICAL DIMENSION

APERM
 63 Neck Rd. 01835
 Haverhill, MA
 Phone: 978-372-3534
 Fax: 978-372-3534

DRN. CJD
 BR. PJD

DESIGNER: PJD

TOLERANCES (DIM) INCH SHEET SIZE SCALE THIRD ANGLE PROJECTION
 .XX=±.02[0.05]
 .XX=±.008[0.20]
 .XXX=±.0008[0.02]
 ANGLE = 10.5°

TITLE: ROTARY DIP SWITCH

DATE: 5/31/07 DRAWING NO. RM3HA***V* REV. A

1 2 3 4 5 6 7 8