

ALL MATERIALS AND FINISHES SHALL BE COMPLIANT TO RoHS 2011/65/EU DIRECTIVE.
CERTIFICATE OF COMPLIANCE REQUIRED

PC2441

2 AXIS, 1 BUTTON PENDANT CONTROLLER CONSISTING OF:

- (1) ERGONOMIC, HIGH IMPACT PLASTIC HOUSING
- (1) 2 AXIS THUMBSTICK
- (1) MOMENTARY PUSHBUTTON

HID USB OUTPUT IS DEFINED AS A "GAME CONTROLLER" WITH A PID OF 0X005e AND A VID OF 0X68E.

USB 1.0, USB 2.0 COMPATIBLE.

MECHANICAL SPECIFICATIONS

X / Y AXES

OPERATING FORCE: 3.1N ± 0.5N
 MAX VERTICAL LOAD: 200N
 MAX HORIZONTAL LOAD: 150N
 ANGLE OF MOVEMENT: 50°
 EXPECTED LIFE: 1M CYCLES

MOMENTARY SWITCHES

OPERATING FORCE: 4.0N ± 3N
 EXPECTED LIFE: 1M CYCLES

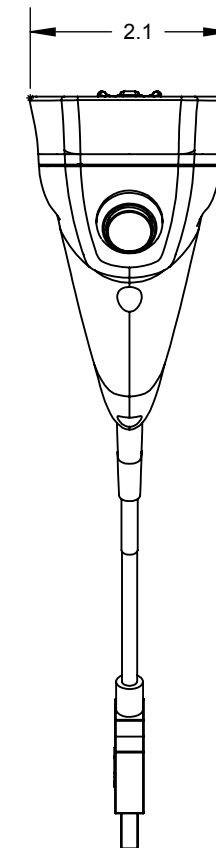
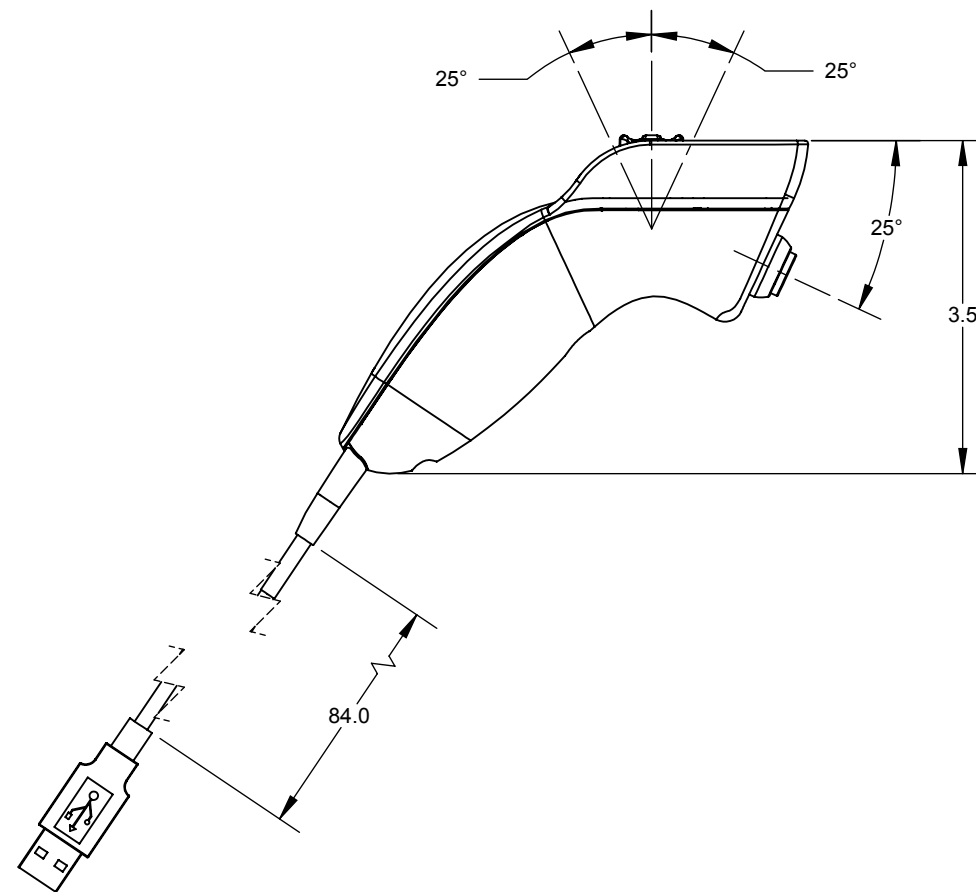
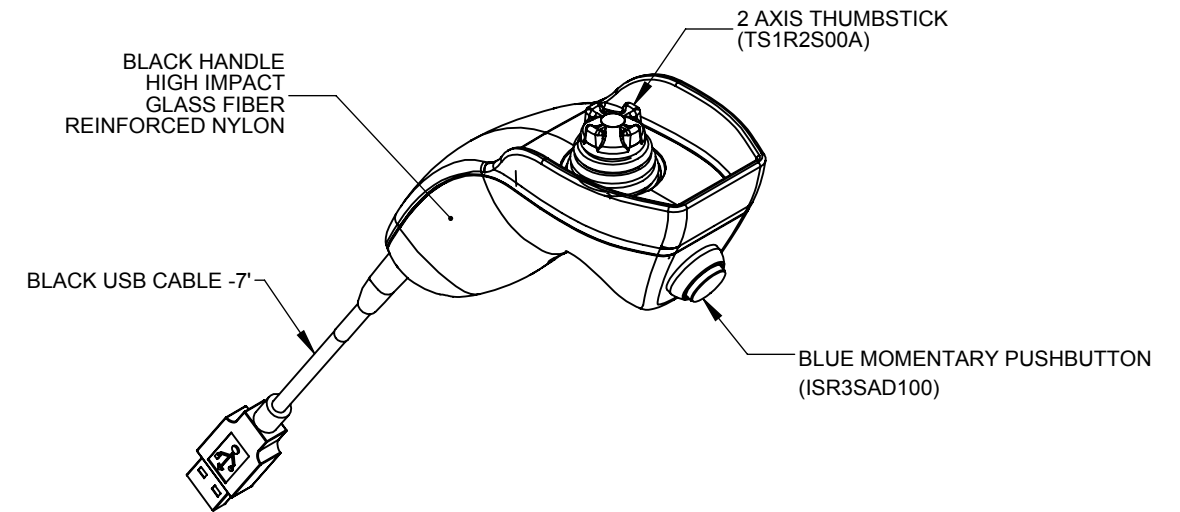
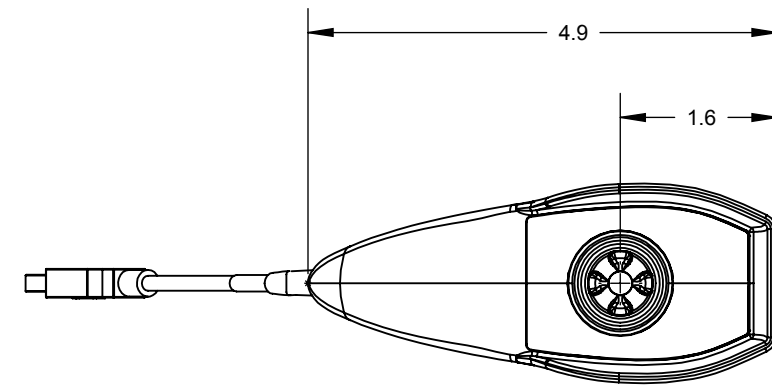
ELECTRICAL SPECIFICATIONS

SUPPLY VOLTAGE: 5.0V ± .25V
 SUPPLY CURRENT: 60mA(TYPICAL) @ 5V

ENVIRONMENTAL SPECIFICATIONS

ENVIRONMENTAL SEALING: IP54
 OPERATING TEMPERATURE: -40°C to 85°C

REV.	DESCRIPTION	DATE	ECN
A	INITIAL RELEASE	12/17/15	3909
B	UPDATED PB SPECS, ADDED APEM PNS	01/27/16	3964



CUSTOMER APPROVALS

COMPANY: _____
 CUSTOMER APPROVAL SIGNATURE _____ DATE _____
 PRINTED NAME _____

		NUMBER: PC2441	REV: B
		DESCRIPTION: 2 AXIS 1 BUTTON PENDANT CONTROLLER	
UNLESS OTHERWISE SPECIFIED: DIMENSIONS ARE IN INCHES TOL. ON ANGLE ± 1.0° .XX ± 0.01 .XXX ± 0.003 .XXXX ± 0.001 INTERPRET DIM AND TOL PER ANSI Y14.5 <input checked="" type="checkbox"/> CRITICAL DIMENSION		TYPE: M	SIZE: B SCALE: 1:2
DRAWN BY: GT	CHECKED BY: ---	DESIGNED BY: ---	DATE: 12/17/15

3RD ANGLE PROJECTION