

MTP SERIES KEY SWITCHES


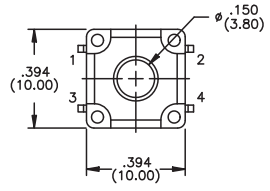
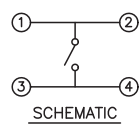
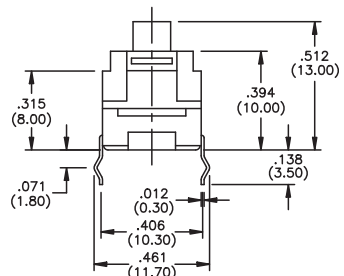
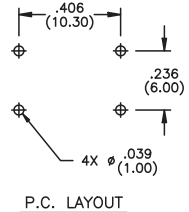
FEATURES

- Totally sealed - process compatible.
- Excellent tactile feed-back (snap dome).
- Shock & vibration resistance.
- SPST momentary action.

SPECIFICATIONS SUBJECT TO CHANGE WITHOUT NOTICE.

GENERAL SPECIFICATIONS	
ELECTRICALS	
Contact rating:	50 mA @ 12 VDC
Insulation resistance:	100 megohms minimum at 100 VDC
Dielectric withstanding voltage:	250 VAC for 1 minute
Contact resistance:	100 milliohms maximum
Life:	100,000 cycles minimum
MECHANICALS, THERMALS	
Operating force:	160±50 grams
Plunger travel:	.010 +.008 / -.004" (.25 +0.2 / -0.1mm)
Shock:	Withstands 80 g for 3 cycles in each of 6 directions (18 cycles total)
Vibration:	Withstands 10-55 Hz. for 2 hours in each of 3 mutually perpendicular planes, including direction of stem travel.
Operating temperature range:	-20°C to +70°C
Storage temperature range:	-30°C to +80°C
SOLDERING	
Wave soldering:	255°C max. for 5 seconds maximum. Preheat - 100°C max. for 45 sec. max.
Manual soldering:	350°C ± 10°C for 3 seconds maximum
Solvent washing:	Washable.
MATERIALS	
Case:	Polyetherimide
Cover:	PBT
Actuator:	Acetal
Terminals:	Silver plated brass
Shorting Contact:	Silver plated copper alloy
Internal seal:	Nitrile

M

<p>US # MTP1149 EU # PHAP3353 Process compatible</p> 		 <p>SCHEMATIC</p>
		 <p>P.C. LAYOUT</p>