

# LP150 series

## Low profile trackball

Distinctive features and specifications



- 1.5" ball diameter
- Panel mount design
- Available in black or backlit illumination
- Several protocol options
- Additional button strips available
- Environmental Protection Classification (IP Rating): contact factory

MECHANICAL	
• Ball Diameter:	1.50" (38.10mm)
• Ball Rotation:	Continuous in all directions
• Tracking Force:	10g (0.35oz)
• Weight:	118.5.5g (4.18oz)
• Life Cycle (ball rotations):	5 million
• Operating Temperature:	-40°C to +85°C (-40°F to +185°F)

CONFIGURATION OPTIONS
• LED backlighting: Red, Blue, Green or Clear through a translucent Thermostat resin ball
• Additional pushbutton switch: Two, three or four* buttons (* USB only) – see Button Strips
• Connector cables
• Conformally coated PCB

PROTOCOL OPTIONS AND ELECTRICAL SPECIFICATIONS	
• USB:	Input: 4.00V – 5.25V @ 25mA max (+30mA for backlit illumination option) Output: USB 1.1
• PS/2 (2/3BTN PS/2):	Input: 5.00V @ 25mA max (+30mA for backlit illumination option) Output: CMOS/TTL
• Microsoft Serial*:	Input: DTR/RTS @ 14 mA max (+30mA for backlit illumination option) Output: RS-232, Serial
• Quadrature:	Input: 5.00V @ 30mA max (+30mA for backlit illumination option) Output: Quadrature Waveforms
• Sun Workstation: (Mouse Systems Serial)	Input: 5.00V @ 30mA max (+30mA for backlit illumination option) Output: CMOS/TTL

MOUNTING OPTIONS
• 180° horizontal to 90° vertical – please specify when ordering.

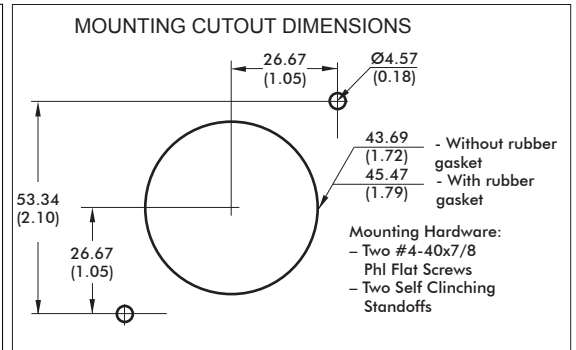
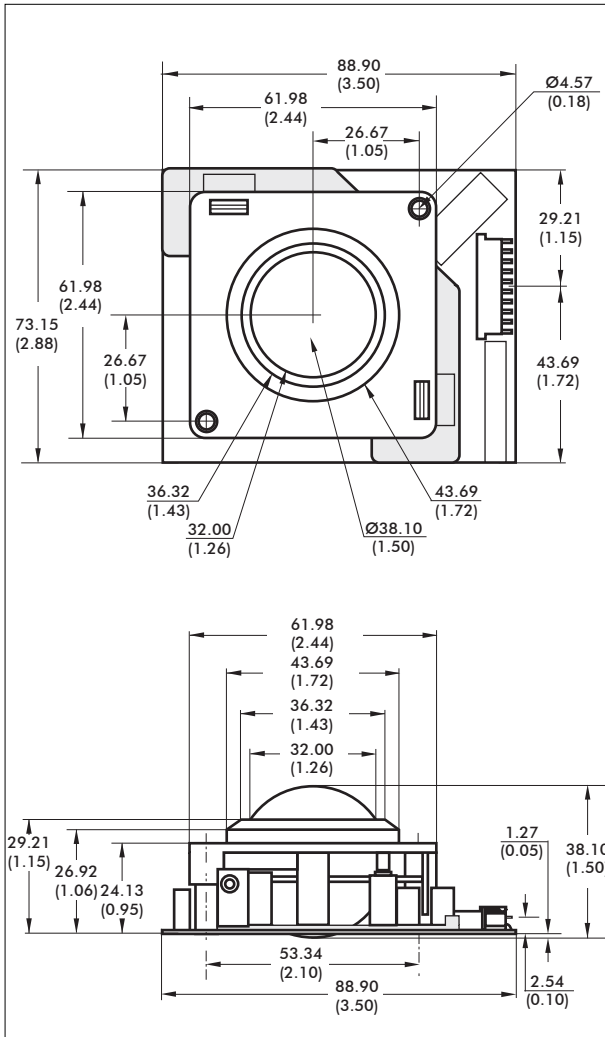
NOTE: \* = Microsoft Serial Interface requires a 5V supply for the LED backlighting option.  
All values are nominal.

SERIES	MODEL	PROTOCOL FORMAT	MOUNTING POSITION	RESOLUTION	POWER REQUIREMENT	ILLUMINATION
LP	150 1.50" Diameter (38.1mm)	1 Microsoft (2 btn Serial) 3 PS/2 (2/3 btn) 5 Quadrature 6 SUN Workstations 7 USB	F - Level to 45° N - Level to 90° X - N/A	10 - 120 resolution 20 - 240 resolution 30 - 480 resolution	V00 5V Regulated R00 RS-232* (DTR & RTS)	R Red B Blue G Green C Clear Black*

\*Microsoft Protocol only \*Non-illuminated

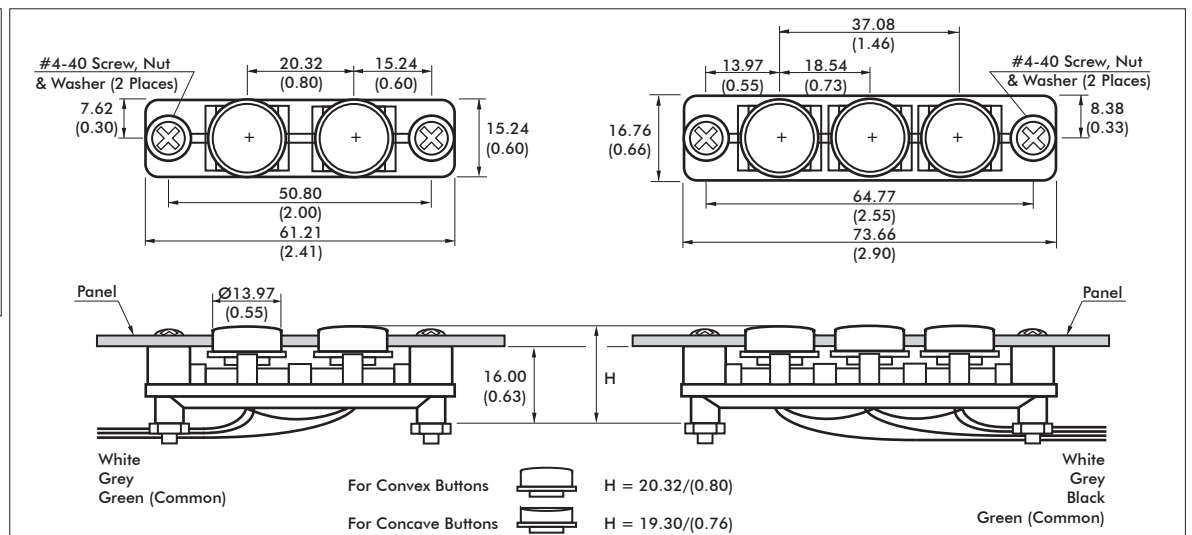
# LP150 series

## Low profile trackball



### BUTTON STRIP FEATURES

- Two, three, or four\* (\*USB only) buttons
- Tactile feedback
- Normally open momentary contact switch
- 5 million lifecycles rating at 500mA at 12VDC
- Black or gray button caps
- Choice of convex or concave design



NOTE: All dimensions are in mm/(inch).

Note: The company reserves the right to change specifications without notice.