

## SPECIFICATIONS

### ELECTRICAL

USB  
 INPUT: 5V @ 25mA max  
 OUTPUT: USB 1.1

### MECHANICAL

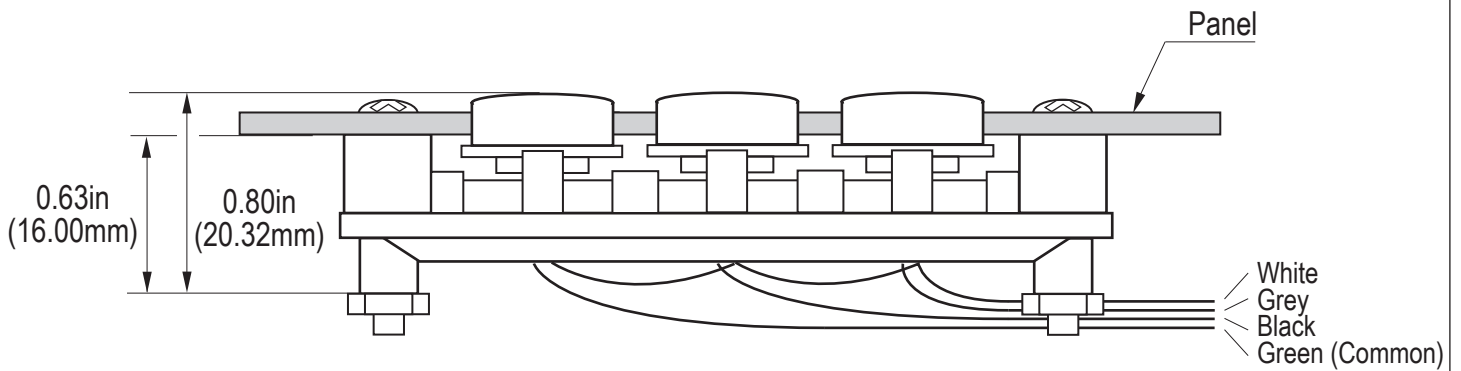
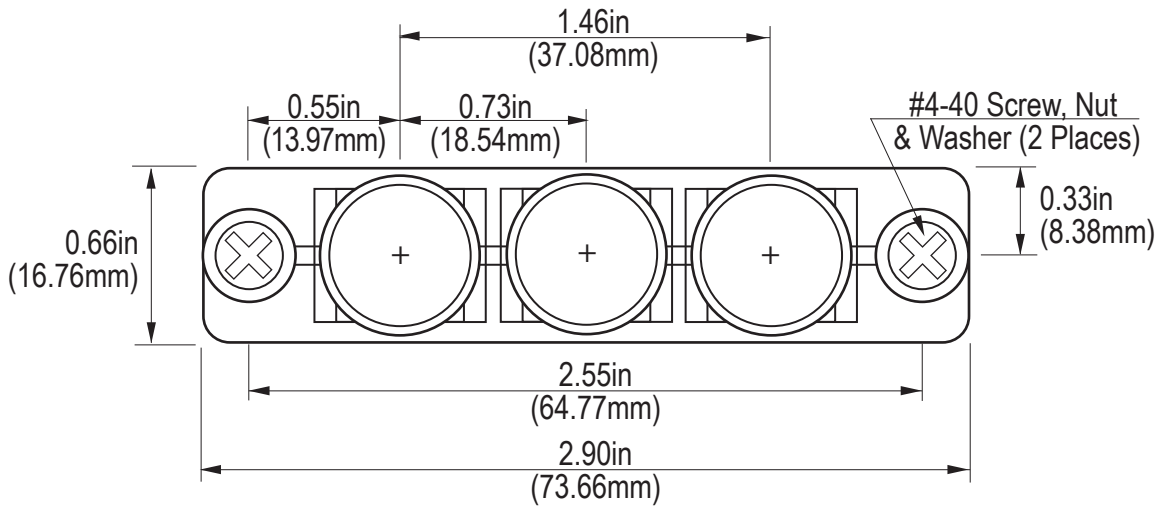
BALL DIAMETER: 1"  
 BALL ROTATION: Continuous  
 BALL COLOR: Black  
 TRACKING FORCE: 15g  
 WEIGHT: 33.5g  
 LIFE CYCLE (BALL ROTATIONS): 5 Million

### RoHS compliant

**3-BUTTON STRIP** (CH P/N: 100-133BX)  
 3-BUTTON STRIP RATING:  
 5 Million operations @ 500mA @ 12VDC




P/N	<b>LP1007EXXH00</b>	REV	<b>A</b>
DESCRIPTION	<b>LP100 - 1.00" USB Trackball</b>		
PROPRIETARY AND CONFIDENTIAL THE INFORMATION CONTAINED IN THIS DRAWING IS THE SOLE PROPERTY OF CH PRODUCTS. ANY REPRODUCTION IN PART OR AS WHOLE WITHOUT THE WRITTEN PERMISSION OF CH PRODUCTS IS PROHIBITED.			



**SPECIFICATIONS**

- Tactile feedback
- Normally open momentary contact switch
- 5 million lifecycle rating at 500mA at 12VDC
- Black, convex button caps
- RoHS compliant

	P/N	<b>100-133BX</b>	REV <b>A</b>
	DESCRIPTION	<b>3-Button Strip</b>	
	<small>PROPRIETARY AND CONFIDENTIAL          THE INFORMATION CONTAINED IN THIS DRAWING IS THE SOLE PROPERTY OF CH PRODUCTS. ANY REPRODUCTION IN PART OR AS WHOLE WITHOUT THE WRITTEN PERMISSION OF CH PRODUCTS IS PROHIBITED.</small>		