

SPECIFICATIONS

ELECTRICAL

| | |
|------------------|---------------|
| SUPPLY VOLTAGE | 5.0V DC |
| CENTER VOLTAGE | 2.5V DC |
| SUPPLY CURRENT | 10mA max/axis |
| OUTPUT CURRENT | 2mA max/axis |
| EFFECTIVE OUTPUT | 0V – 5V DC |
| OUTPUT TOLERANCE | ±2% |

MECHANICAL

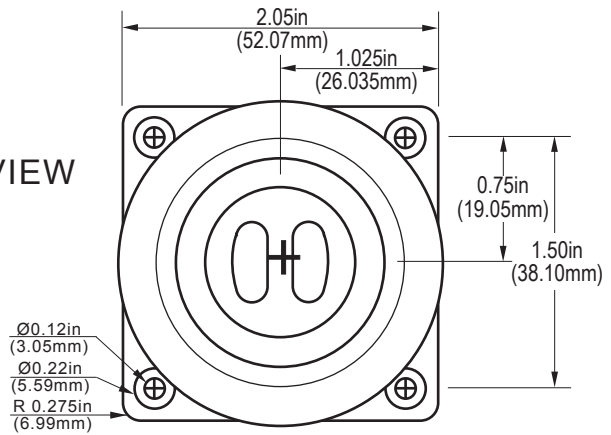
| | |
|------------------|--------------------------------|
| OPERATING TRAVEL | 40° (20° from center) |
| CENTERING | Single spring, omnidirectional |
| BREAKOUT FORCE | 0.257Nm |
| OPERATING FORCE | 0.128Nm |
| MAXIMUM FORCE | 0.385Nm |
| OPERATING TEMP | -40°C to +85°C |
| LIFE EXPECTANCY | 10 million operations |

WIRING

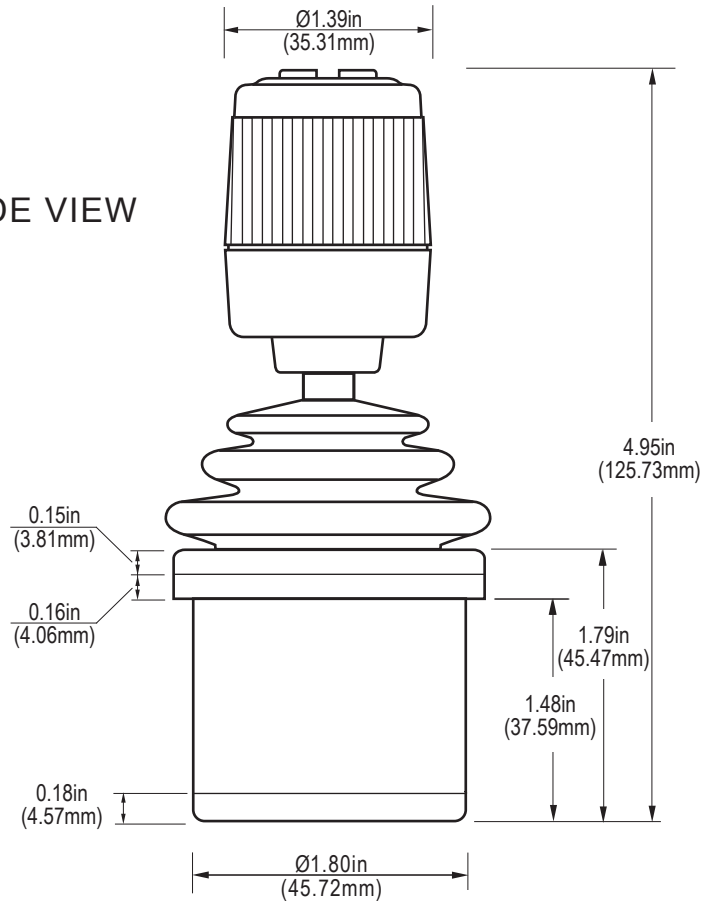
| | |
|--------|----------------|
| RED | Supply voltage |
| BLACK | Ground |
| BLUE | X-Axis |
| YELLOW | Y-Axis |
| GREEN | Z-Axis |
| ORANGE | Switch 1 |
| VIOLET | Switch 2 |
| WHITE | Switch common |

RoHS compliant

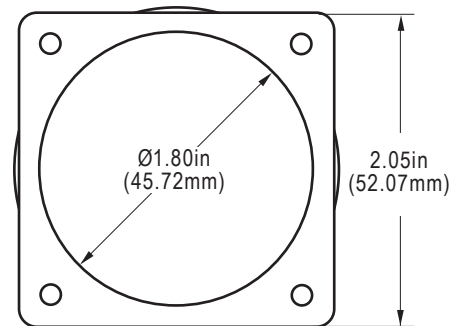
TOP VIEW



SIDE VIEW



BOTTOM VIEW



CH
Products

P/N

HFX2-45S10

REV
A

DESCRIPTION

Series II – 3 Axes, with 2 Buttons

PROPRIETARY AND CONFIDENTIAL

THE INFORMATION CONTAINED IN THIS DRAWING IS THE SOLE PROPERTY OF CH PRODUCTS. ANY REPRODUCTION IN PART OR AS WHOLE WITHOUT THE WRITTEN PERMISSION OF CH PRODUCTS IS PROHIBITED.