

Xinger III

Directional Coupler 20dB



Description

The X3C09F1-20S is a low profile, high performance 20dB directional coupler in a new easy to use, manufacturing friendly surface mount package. It is designed for AMPS, GSM, WCDMA and LTE band applications. The X3C09F1-20S is designed particularly for balanced power and low noise amplifiers, plus signal distribution and other applications where low insertion loss and tight amplitude and phase balance is required. It can be used in high power applications up to 25 watts.

Parts have been subjected to rigorous qualification testing and they are manufactured using materials with coefficients of thermal expansion (CTE) compatible with common substrates such as FR4, G-10, RF-35, RO4003 and polyimide. Produced with 6 of 6 RoHS compliant tin immersion finish.

Features:

- 700-1000 MHz
- AMPS, GSM, WCDMA & LTE
- High Power
- Very Low Loss
- Tight Amplitude Balance
- High Isolation
- Production Friendly
- Tape and Reel
- Lead-Free

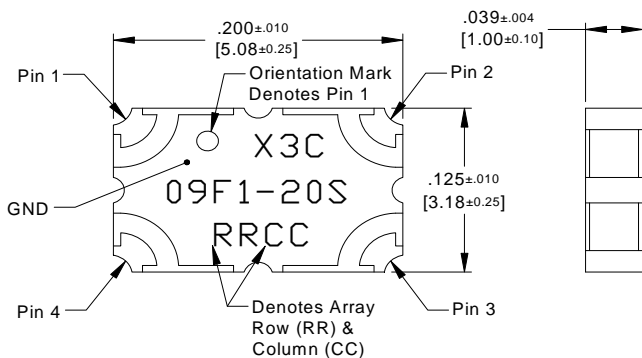
Electrical Specifications **

Frequency	Mean Coupling	Insertion Loss	VSWR	Group Delay (GD-C)
MHz	dB	dB Max	Max : 1	ns
700-1000	20.0 ±1.0	0.075	1.22	0.22±0.04
869-894	20.0 ±0.5	0.05	1.12	0.22±0.04
925-960	20.0 ±0.5	0.05	1.12	0.22±0.04
Group Delay (GD-DC)	Directivity	Power	ΘJC	Operating Temp.
ns	dB Min	Avg. CW Watts	°C/Watt	°C
0.06±0.015	20	25	TBD	-55 to +105
0.06±0.015	25	25	TBD	-55 to +105
0.06±0.015	25	25	TBD	-55 to +105

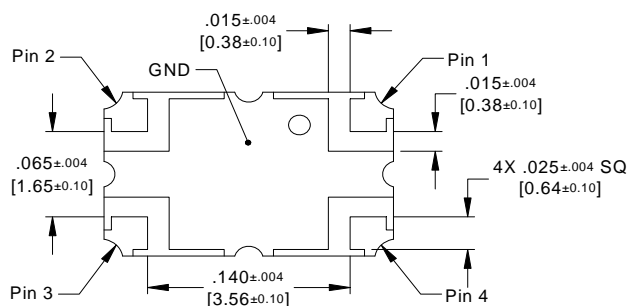
**Specification based on performance of unit properly installed on Anaren Test Board with small signal applied.

*Specifications subject to change without notice. Refer to parameter definitions for details.

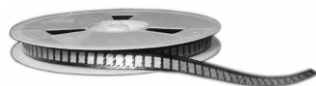
Mechanical Outline



Dimensions are in Inches [Millimeters]
X3C09F1-20S Mechanical Outline

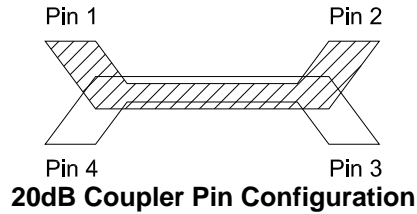


Tolerances are Non-Cumulative



Directional Coupler Pin Configuration

The X3C09F1-20S has an orientation marker to denote Pin 1. Once port one has been identified the other ports are known automatically. Please see the chart below for clarification:



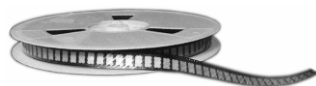
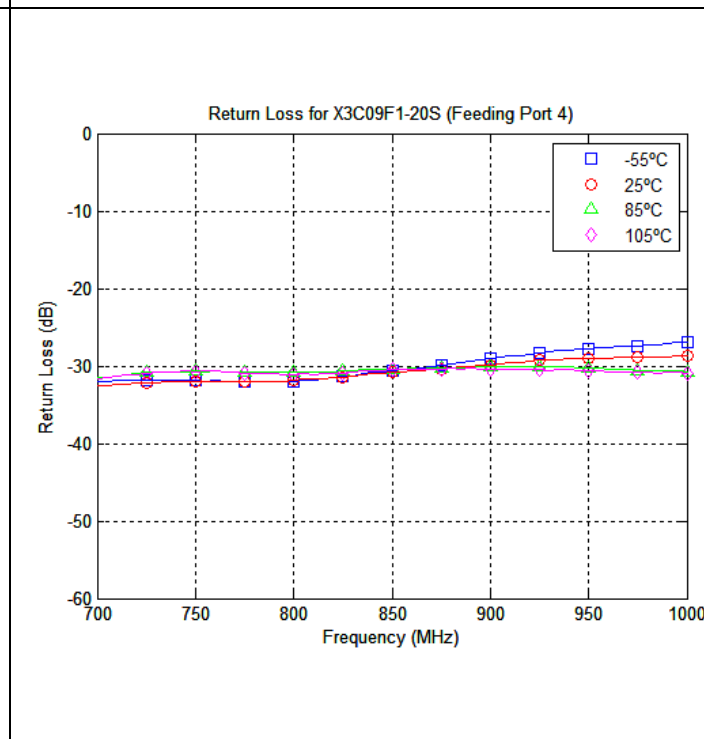
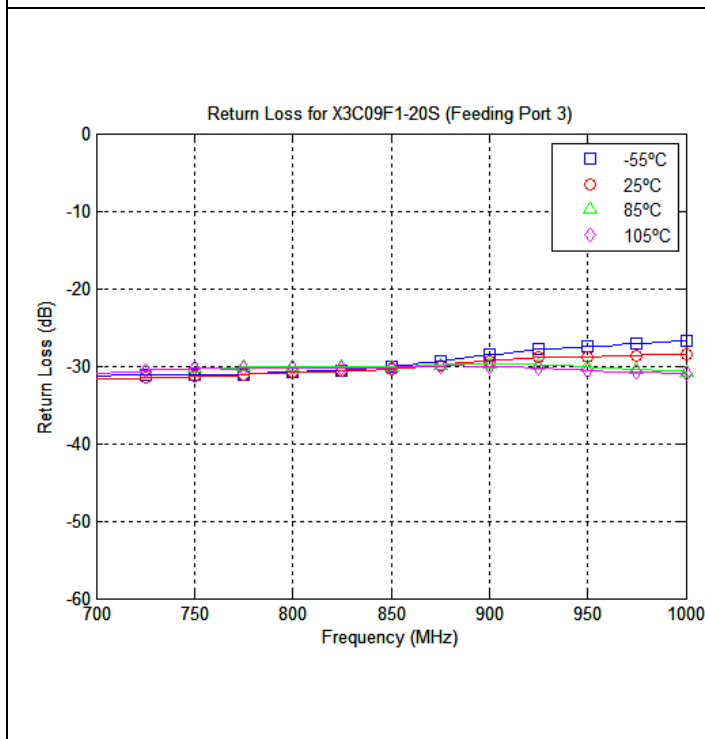
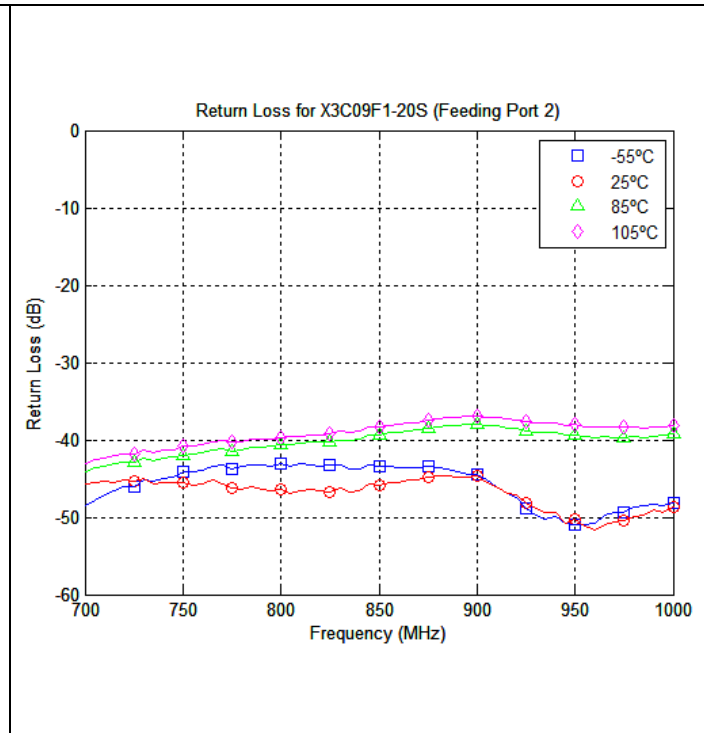
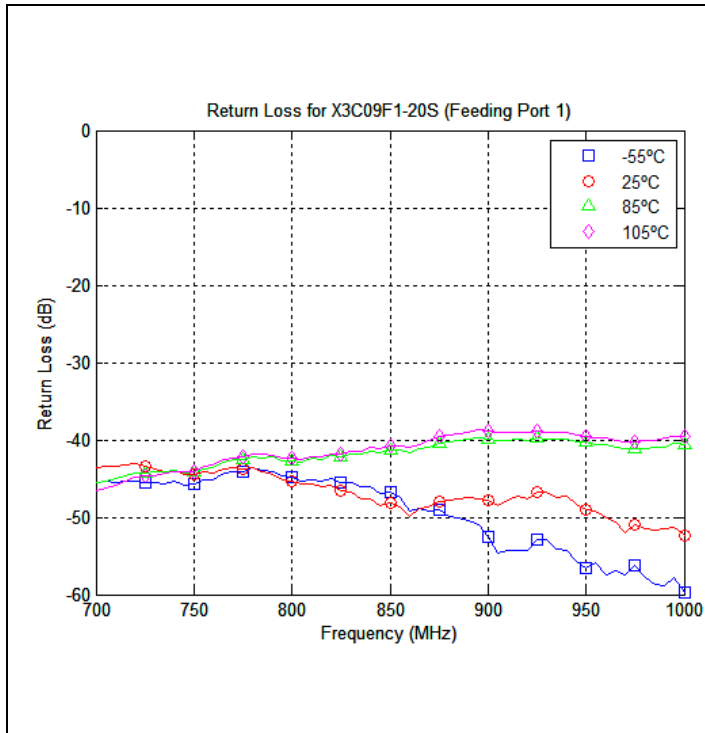
Pin 1	Pin 2	Pin 3	Pin 4
Input	Direct	Isolated	Coupled
Direct	Input	Coupled	Isolated

Note: The direct port has a DC connection to the input port and the coupled port has a DC connection to the isolated port.

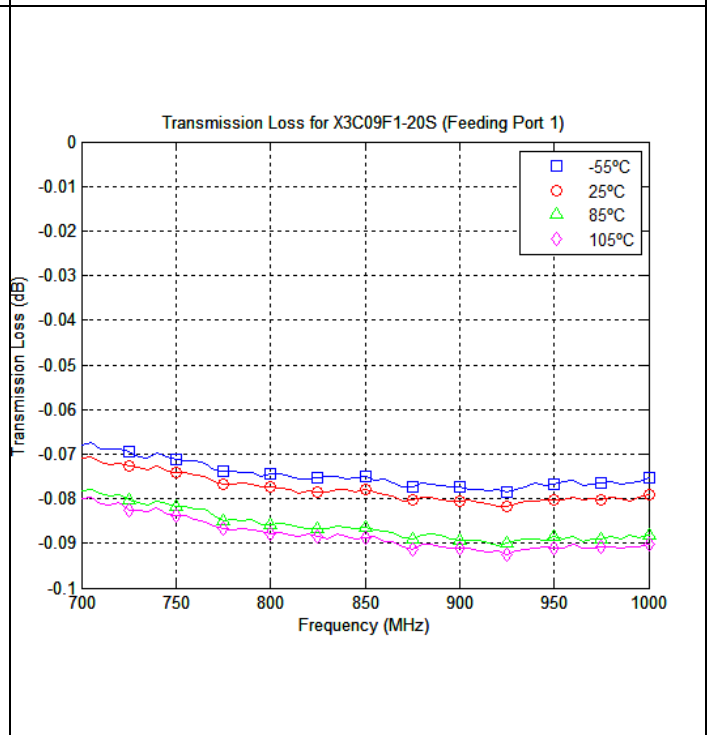
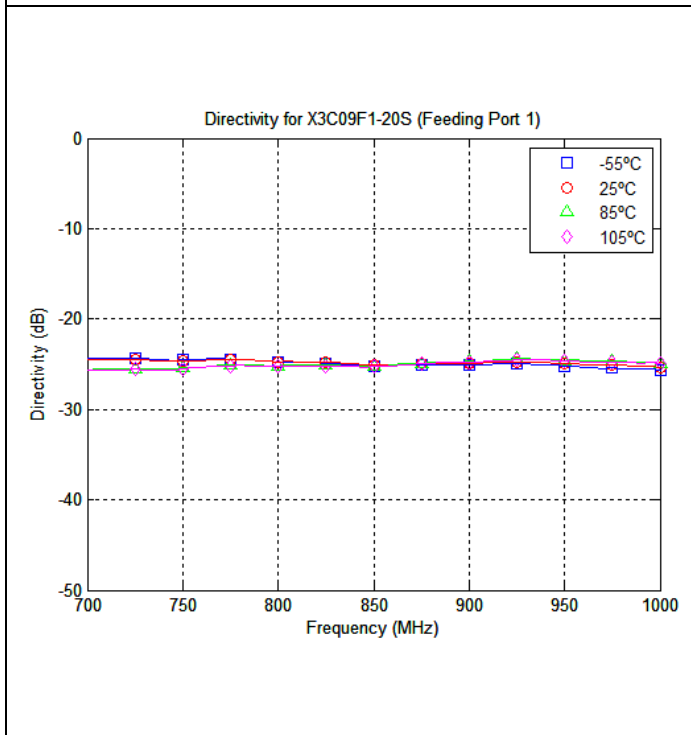
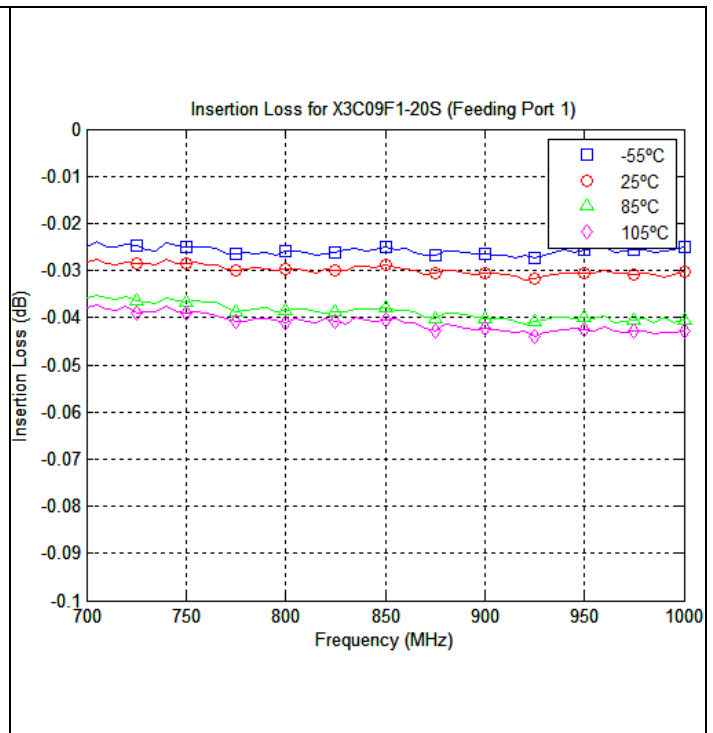
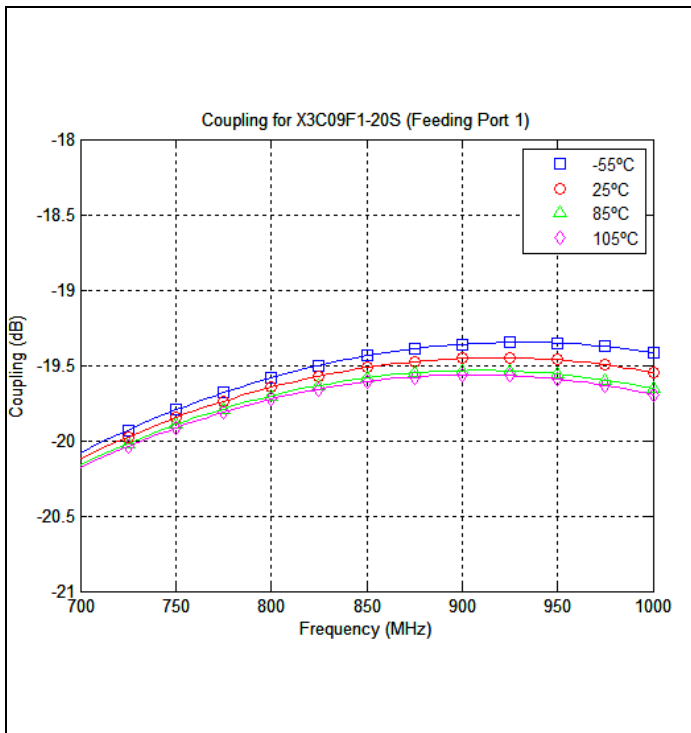
For optimum IL and power handling performance, use Pin 1 or Pin 2 as inputs.



Typical Performance (-55°C, 25°C, 85°C, 105°C): 700-1000 MHz



Typical Performance (-55°C, 25°C, 85°C, 105°C): 700-1000 MHz



USA/Canada: (315) 432-8909
 Toll Free: (800) 411-6596
 Europe: +44 2392-232392

Available on Tape and Reel for Pick and Place Manufacturing.



Anaren®
 What'll we think of next?®