

FEATURES

- 26 reset threshold options**
 - 2.5 V to 5 V in 100 mV increments
- 4 reset timeout options**
 - 1 ms, 20 ms, 140 ms, and 1120 ms (minimum)
- 4 watchdog timeout options**
 - 6.3 ms, 102 ms, 1600 ms, and 25.6 sec (typical)
- Manual reset input**
- Reset output stages**
 - Push-pull active low
 - Open-drain active low
 - Push-pull active high
- Low power consumption: 5 μ A**
- Guaranteed reset output valid to $V_{CC} = 1$ V**
- Power supply glitch immunity**
- Specified over industrial temperature range**
- 5-lead SOT-23 package**

APPLICATIONS

- Microprocessor systems
- Computers
- Controllers
- Intelligent instruments
- Portable equipment

GENERAL DESCRIPTION

The [ADM6316/ADM6317/ADM6318/ADM6319/ADM6320/ADM6321/ADM6322](#) are supervisory circuits that monitor power supply voltage levels and code execution integrity in microprocessor-based systems. As well as providing power-on reset signals, an on-chip watchdog timer can reset the microprocessor if it fails to strobe within a preset timeout period. A reset signal can also be asserted by an external push button through a manual reset input. The seven devices feature different combinations of watchdog input, manual reset input, and output stage configuration, as shown in Table 1.

Table 1. Selection Table

| Part No. | Watchdog | Manual Reset | Output Stage | |
|-------------------------|----------|--------------|--------------|-----------|
| | | | RESET | RESET |
| ADM6316 | Yes | Yes | Push-pull | No |
| ADM6317 | Yes | Yes | No | Push-pull |
| ADM6318 | Yes | No | Push-pull | Push-pull |
| ADM6319 | No | Yes | Push-pull | Push-pull |
| ADM6320 | Yes | Yes | Open-drain | No |
| ADM6321 | Yes | No | Open-drain | Push-pull |
| ADM6322 | No | Yes | Open-drain | Push-pull |

Rev. H

[Document Feedback](#)

Information furnished by Analog Devices is believed to be accurate and reliable. However, no responsibility is assumed by Analog Devices for its use, nor for any infringements of patents or other rights of third parties that may result from its use. Specifications subject to change without notice. No license is granted by implication or otherwise under any patent or patent rights of Analog Devices. Trademarks and registered trademarks are the property of their respective owners.

FUNCTIONAL BLOCK DIAGRAMS

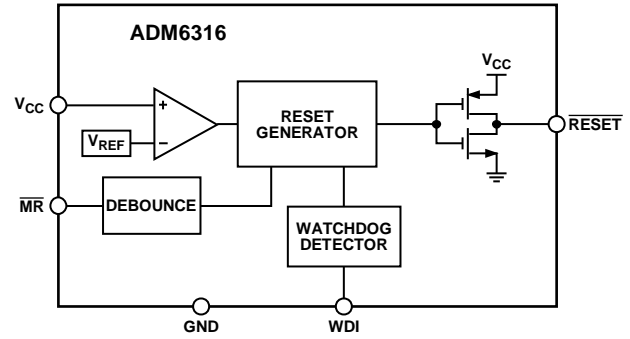


Figure 1.

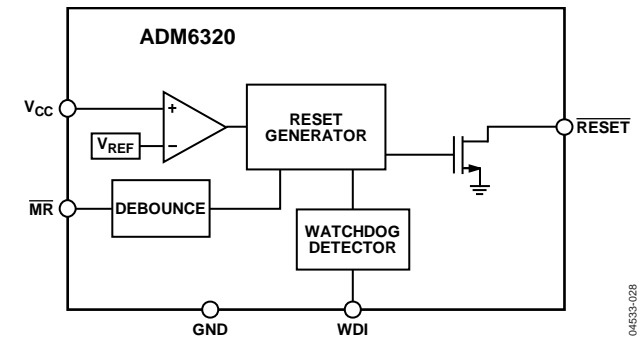


Figure 2.

Each device is available in a choice of 26 reset threshold options ranging from 2.5 V to 5 V in 100 mV increments. There are also four reset timeout options of 1 ms, 20 ms, 140 ms, and 1120 ms (minimum) and four watchdog timeout options of 6.3 ms, 102 ms, 1600 ms, and 25.6 sec (typical).

The [ADM6316/ADM6317/ADM6318/ADM6319/ADM6320/ADM6321/ADM6322](#) are available in 5-lead SOT-23 packages and typically consume only 3 μ A, making them suitable for use in low power portable applications.

TABLE OF CONTENTS

| | | | |
|--|---|---|----|
| Features | 1 | Open-Drain $\overline{\text{RESET}}$ Output | 9 |
| Applications | 1 | Manual Reset Input | 9 |
| Functional Block Diagrams | 1 | Watchdog Input | 9 |
| General Description | 1 | Applications Information | 10 |
| Revision History | 2 | Watchdog Input Current | 10 |
| Specifications | 3 | Negative Going V_{CC} Transients | 10 |
| Absolute Maximum Ratings | 5 | Ensuring Reset Valid to $V_{CC} = 0\text{ V}$ | 10 |
| ESD Caution | 5 | Watchdog Software Considerations | 10 |
| Pin Configurations and Function Descriptions | 6 | Model Options | 11 |
| Typical Performance Characteristics | 7 | Outline Dimensions | 13 |
| Circuit Description | 9 | Ordering Guide | 14 |
| Reset Output | 9 | | |

REVISION HISTORY

12/15—Rev. G to Rev. H

| | |
|--|----|
| Added Endnote 1 and Endnote 2, Table 2 | 3 |
| Change to Model Options Section Title | 11 |
| Added Endnote 1, Table 5 | 11 |
| Changes to Table 8 | 12 |
| Changes to Ordering Guide | 14 |

1/15—Rev. F to Rev. G

| | |
|--------------------------|----|
| Changes to Table 8 | 12 |
|--------------------------|----|

5/13—Rev. E to Rev. F

| | |
|---------------------------------|----|
| Changes to Table 8 | 12 |
| Changes to Ordering Guide | 13 |

10/10—Rev. D to Rev. E

| | |
|----------------------------------|----|
| Changes to Table 8 | 12 |
| Updated Outline Dimensions | 13 |

8/08—Rev. C to Rev. D

| | |
|---------------------------|---|
| Change to Figure 18 | 9 |
|---------------------------|---|

4/07—Rev. B to Rev. C

| | |
|---------------------------------|----|
| Added Figure 2 | 1 |
| Changes to Figure 23 | 13 |
| Changes to Ordering Guide | 13 |

1/07—Rev. A to Rev. B

| | |
|---|----|
| Changes to Functional Block Diagram | 1 |
| Changes to Figure 18 | 10 |

5/06—Rev. 0 to Rev. A

| | |
|---|-----------|
| Updated Format | Universal |
| Changes to Functional Block Diagram | 1 |
| Changes to Table 8 | 12 |
| Changes to Figure 22 | 13 |
| Changes to Ordering Guide | 13 |

10/04—Revision 0: Initial Version

SPECIFICATIONS

V_{CC} = full operating range, T_A = T_{MIN} to T_{MAX} , unless otherwise noted.

Table 2.

| Parameter | Min | Typ | Max | Unit | Test Conditions/Comments |
|---|---------------------|----------|---------------------|-----------------------|--|
| SUPPLY | | | | | |
| V_{CC} Operating Voltage Range | 1 | | 5.5 | V | |
| Supply Current | | 10 | 20 | μ A | $V_{CC} = 5.5$ V |
| | | 5 | 12 | μ A | $V_{CC} = 3.6$ V |
| RESET THRESHOLD VOLTAGE | $V_{TH} - 1.5\%$ | V_{TH} | $V_{TH} + 1.5\%$ | V | $T_A = 25^\circ\text{C}$ |
| | $V_{TH} - 2.5\%$ | V_{TH} | $V_{TH} + 2.5\%$ | V | $T_A = -40^\circ\text{C}$ to $+85^\circ\text{C}$ |
| RESET THRESHOLD TEMPERATURE COEFFICIENT | | 40 | | ppm/ $^\circ\text{C}$ | |
| RESET THRESHOLD HYSTERESIS | | 3 | | mV | |
| RESET TIMEOUT PERIOD | | | | | |
| ADM63xxA ¹ | 1 | 1.4 | 2 | ms | |
| ADM63xxB ¹ | 20 | 28 | 40 | ms | |
| ADM63xxC ¹ | 140 | 200 | 280 | ms | |
| ADM63xxD ¹ | 1120 | 1600 | 2240 | ms | |
| V_{CC} TO RESET DELAY | | 40 | | μ s | V_{CC} falling at 1 mV/ μ s |
| PUSH-PULL OUTPUT (ADM6316, ADM6317, ADM6318, ADM6319, ADM6321, ADM6322) | | | | | |
| $\overline{\text{RESET}}$ Output Voltage | | | 0.3 | V | $V_{CC} \geq 1.0$ V, $I_{SINK} = 50$ μ A |
| | | | 0.3 | V | $V_{CC} \geq 1.2$ V, $I_{SINK} = 100$ μ A |
| | | | 0.3 | V | $V_{CC} \geq 2.7$ V, $I_{SINK} = 1.2$ mA |
| | | | 0.4 | V | $V_{CC} \geq 4.5$ V, $I_{SINK} = 3.2$ mA |
| | $0.8 \times V_{CC}$ | | | V | $V_{CC} \geq 2.7$ V, $I_{SOURCE} = 500$ μ A |
| $\overline{\text{RESET}}$ Rise Time | $V_{CC} - 1.5$ | 5 | 25 | ns | $V_{CC} \geq 4.5$ V, $I_{SOURCE} = 800$ μ A From 10% to 90% V_{CC} , $C_L = 5$ pF, $V_{CC} = 3.3$ V |
| | | | | | |
| RESET Output Voltage | | | 0.3 | V | $V_{CC} \geq 2.7$ V, $I_{SINK} = 1.2$ mA |
| | | | 0.4 | V | $V_{CC} \geq 4.5$ V, $I_{SINK} = 3.2$ mA |
| | $0.8 \times V_{CC}$ | | | V | $V_{CC} \geq 1.8$ V, $I_{SOURCE} = 150$ μ A |
| | $0.8 \times V_{CC}$ | | | V | $V_{CC} \geq 2.7$ V, $I_{SOURCE} = 500$ μ A |
| | $V_{CC} - 1.5$ | | | V | $V_{CC} \geq 4.5$ V, $I_{SOURCE} = 800$ μ A |
| OPEN-DRAIN OUTPUT (ADM6320, ADM6321, ADM6322) | | | | | |
| $\overline{\text{RESET}}$ Output Voltage | | | 0.3 | V | $V_{CC} \geq 1.0$ V, $I_{SINK} = 50$ μ A |
| | | | 0.3 | V | $V_{CC} \geq 1.2$ V, $I_{SINK} = 100$ μ A |
| | | | 0.3 | V | $V_{CC} \geq 2.7$ V, $I_{SINK} = 1.2$ mA |
| | | | 0.4 | V | $V_{CC} \geq 4.5$ V, $I_{SINK} = 3.2$ mA |
| Open-Drain Reset Output Leakage Current | | | 1 | μ A | |
| WATCHDOG INPUT (ADM6316, ADM6317, ADM6318, ADM6320, ADM6321) | | | | | |
| Watchdog Timeout Period | | | | | |
| ADM63xxxW ² | 4.3 | 6.3 | 9.3 | ms | |
| ADM63xxxX ² | 71 | 102 | 153 | ms | |
| ADM63xxxY ² | 1.12 | 1.6 | 2.4 | sec | |
| ADM63xxxZ ² | 17.9 | 25.6 | 38.4 | sec | |
| WDI Pulse Width | 50 | | | ns | $V_{IL} = 0.3 \times V_{CC}$, $V_{IH} = 0.7 \times V_{CC}$ |
| WDI Input Threshold | $0.3 \times V_{CC}$ | | $0.7 \times V_{CC}$ | V | |
| WDI Input Current | | 120 | 160 | μ A | $V_{WDI} = V_{CC}$, time average |
| | -20 | -15 | | μ A | $V_{WDI} = 0$, time average |

| Parameter | Min | Typ | Max | Unit | Test Conditions/Comments |
|--|----------------------------|-----|----------------------------|---------------|---------------------------------|
| MANUAL RESET INPUT (ADM6316, ADM6317, ADM6319, ADM6320, ADM6322) | | | | | |
| $\overline{\text{MR}}$ Input Threshold | 0.8 | | 2.0 | V | $V_{\text{TH}} > 4.0 \text{ V}$ |
| | $0.3 \times V_{\text{CC}}$ | | $0.7 \times V_{\text{CC}}$ | V | $V_{\text{TH}} < 4.0 \text{ V}$ |
| $\overline{\text{MR}}$ Input Pulse Width | 1 | | | μs | |
| $\overline{\text{MR}}$ Glitch Rejection | | 100 | | ns | |
| $\overline{\text{MR}}$ Pull-Up Resistance | 35 | 52 | 75 | k Ω | |
| $\overline{\text{MR}}$ to Reset Delay | | 230 | | ns | $V_{\text{CC}} = 5 \text{ V}$ |

¹ Complete the model code by replacing xx with a device generic number.

² Complete the model code by replacing xxx with a device generic number and code for the reset timeout period.

ABSOLUTE MAXIMUM RATINGS

$T_A = 25^\circ\text{C}$, unless otherwise noted.

Table 3.

| Parameter | Rating |
|--|---------------------------------------|
| V_{CC} | -0.3 V to +6 V |
| $\overline{\text{RESET}}$ (ADM6320, ADM6321, ADM6322) | -0.3 V to +6 V |
| All Other Pins | -0.3 V to ($V_{CC} + 0.3\text{ V}$) |
| Output Current ($\overline{\text{RESET}}$, $\overline{\text{RESET}}$) | 20 mA |
| Operating Temperature Range | -40°C to +85°C |
| Storage Temperature Range | -65°C to +125°C |
| θ_{JA} Thermal Impedance, SOT-23 | 270°C/W |
| Lead Temperature | |
| Soldering (10 sec) | 300°C |
| Vapor Phase (60 sec) | 215°C |
| Infrared (15 sec) | 220°C |

Stresses at or above those listed under Absolute Maximum Ratings may cause permanent damage to the product. This is a stress rating only; functional operation of the product at these or any other conditions above those indicated in the operational section of this specification is not implied. Operation beyond the maximum operating conditions for extended periods may affect product reliability.

ESD CAUTION



ESD (electrostatic discharge) sensitive device. Charged devices and circuit boards can discharge without detection. Although this product features patented or proprietary protection circuitry, damage may occur on devices subjected to high energy ESD. Therefore, proper ESD precautions should be taken to avoid performance degradation or loss of functionality.

PIN CONFIGURATIONS AND FUNCTION DESCRIPTIONS

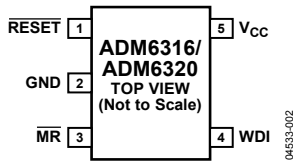


Figure 3. ADM6316/ADM6320 Pin Configuration

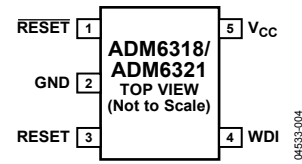


Figure 5. ADM6318/ADM6321 Pin Configuration

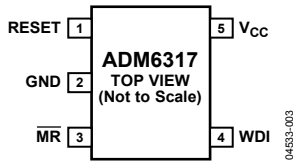


Figure 4. ADM6317 Pin Configuration

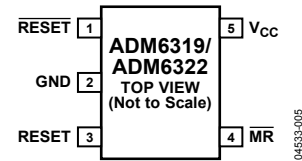


Figure 6. ADM6319/ADM6322 Pin Configuration

Table 4. Pin Function Descriptions

| Pin No. | Mnemonic | Description |
|---------|--|---|
| 1 | RESET (ADM6316/ADM6318/ADM6319/ADM6320/ADM6321/ADM6322) | Active Low Reset Output. Asserted whenever V_{CC} is below the reset threshold, V_{TH} . Push-Pull Output Stage for the ADM6316/ADM6318/ADM6319. Open-Drain Output Stage for the ADM6320/ADM6321/ADM6322. |
| 2 | RESET (ADM6317) GND (all models) | Active High Push-Pull Reset Output. Ground. |
| 3 | MR (ADM6316/ADM6317/ADM6320) | Manual Reset Input. This is an active low input that when forced low for at least 1 μs , generates a reset. It features a 52 k Ω internal pull-up. |
| 4 | RESET (ADM6318/ADM6319/ADM6321/ADM6322) WDI (ADM6316/ADM6317/ADM6318/ADM6320/ADM6321) | Active High Push-Pull Reset Output. Watchdog Input. Generates a reset if the logic level on the pin remains low or high for the duration of the watchdog timeout. The timer is cleared if a logic transition occurs on this pin or if a reset is generated. Leave this pin floating to disable the watchdog timer. |
| 5 | MR (ADM6319/ADM6322) V_{CC} (all models) | Manual Reset Input. Power Supply Voltage Being Monitored. |

TYPICAL PERFORMANCE CHARACTERISTICS

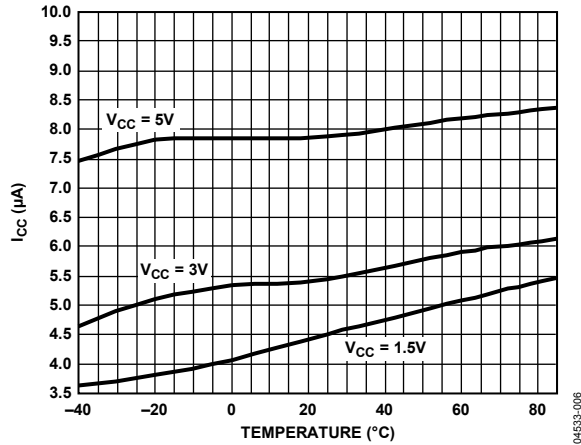


Figure 7. Supply Current vs. Temperature
(ADM6316/ADM6317/ADM6318/ADM6320/ADM6321)

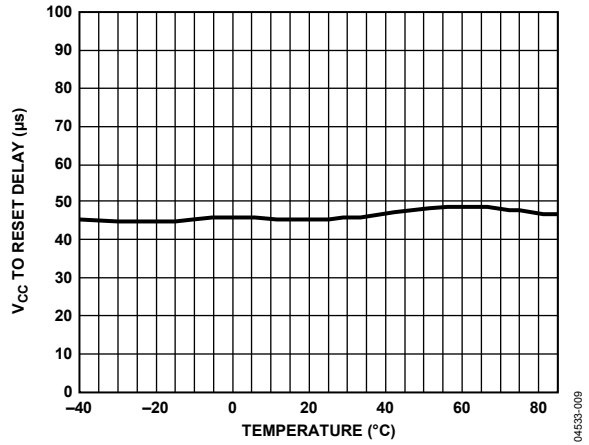


Figure 10. V_{CC} Falling to Reset Propagation Delay vs. Temperature

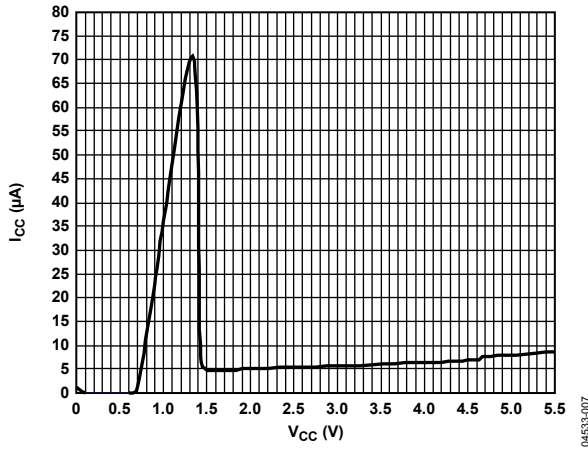


Figure 8. Supply Current vs. Supply Voltage

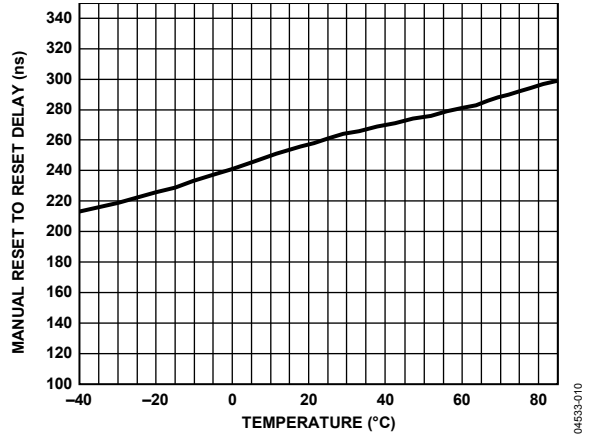


Figure 11. Manual Reset to Reset Propagation Delay vs. Temperature
(ADM6316/ADM6317/ADM6319/ADM6320/ADM6322)

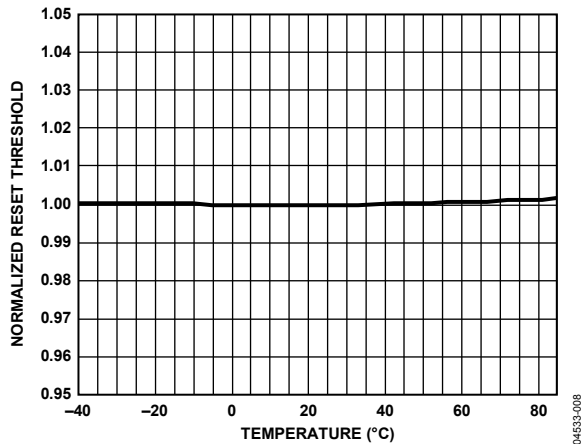


Figure 9. Normalized Reset Threshold vs. Temperature

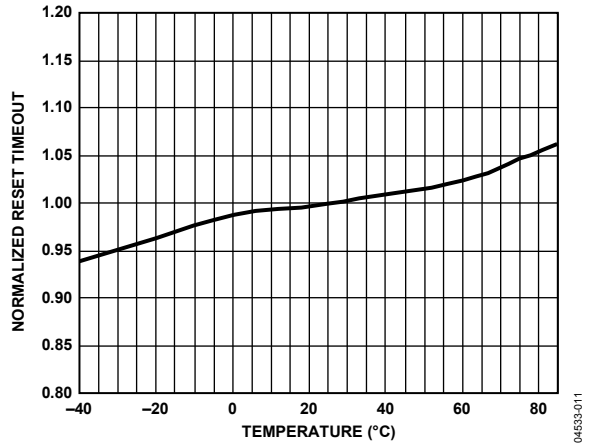


Figure 12. Normalized Reset Timeout Period vs. Temperature

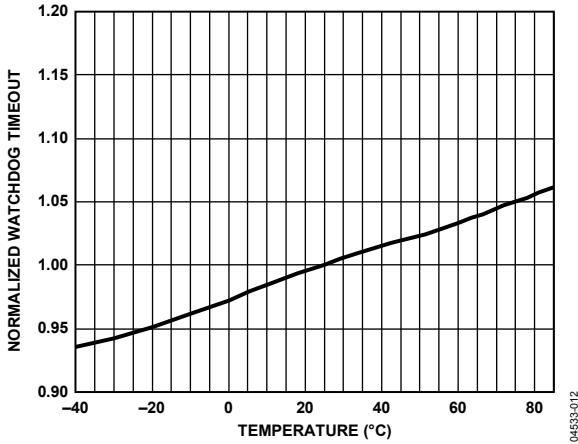


Figure 13. Normalized Watchdog Timeout Period vs. Temperature (ADM6316/ADM6317/ADM6318/ADM6320/ADM6321)

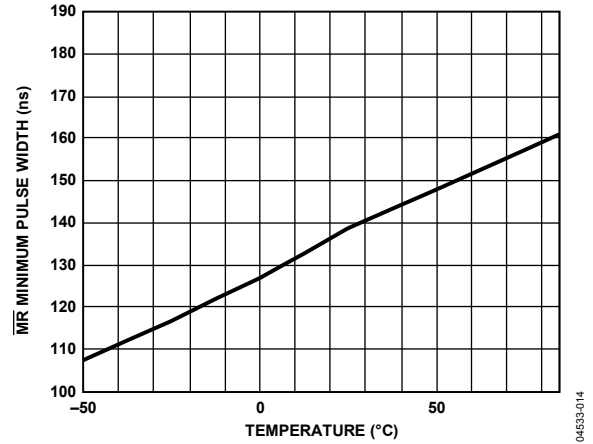


Figure 15. Manual Reset Minimum Pulse Width vs. Temperature (ADM6316/ADM6317/ADM6319/ADM6320/ADM6322)

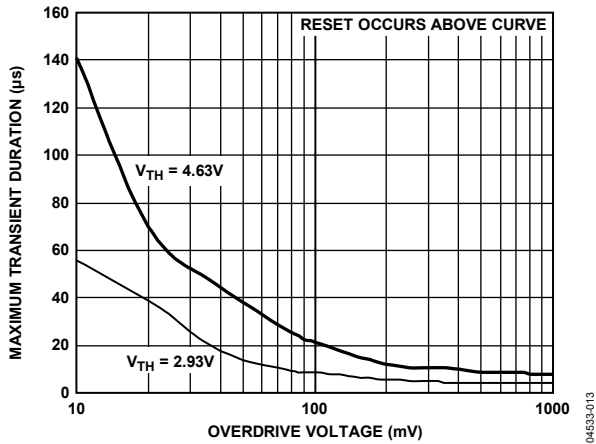


Figure 14. Maximum V_{CC} Transient Duration vs. Reset Threshold Overdrive

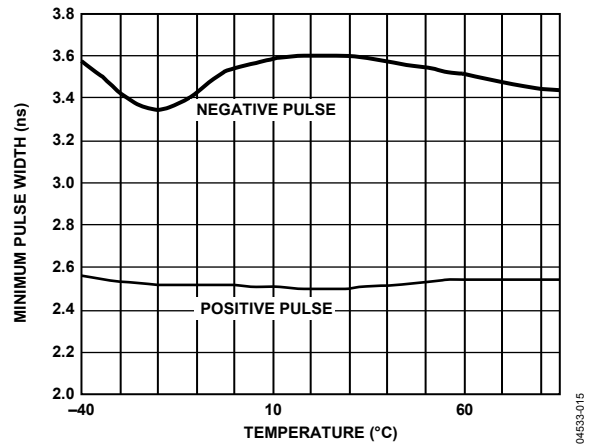


Figure 16. Watchdog Input Minimum Pulse Width vs. Temperature (ADM6316/ADM6317/ADM6318/ADM6320/ADM6321)

CIRCUIT DESCRIPTION

The [ADM6316/ADM6317/ADM6318/ADM6319/ADM6320/ADM6321/ADM6322](#) provide microprocessor supply voltage supervision by controlling the reset input of the microprocessor. Code execution errors are avoided during power-up, power-down, and brownout conditions by asserting a reset signal when the supply voltage is below a preset threshold and by allowing supply voltage stabilization with a fixed timeout reset pulse after the supply voltage rises above the threshold. In addition, problems with microprocessor code execution can be monitored and corrected with a watchdog timer ([ADM6316/ADM6317/ADM6318/ADM6320/ADM6321](#)). If the user detects a problem with the system's operation, a manual reset input is available ([ADM6316/ADM6317/ADM6319/ADM6320/ADM6322](#)) to reset the microprocessor, for example, by means of an external push button.

RESET OUTPUT

The [ADM6316](#) features an active low push-pull reset output, while the [ADM6317/ADM6321/ADM6322](#) have active high push-pull reset outputs. The [ADM6318/ADM6319](#) feature dual active low and active high push-pull reset outputs. For active low and active high outputs, the reset signal is guaranteed to be logic low and logic high, respectively, for V_{CC} down to 1 V.

The reset output is asserted when V_{CC} is below the reset threshold (V_{TH}), when \overline{MR} is driven low, or when WDI is not serviced within the watchdog timeout period (t_{WD}). Reset remains asserted for the duration of the reset active timeout period (t_{RP}) after V_{CC} rises above the reset threshold, after \overline{MR} transitions from low to high, or after the watchdog timer times out. Figure 17 illustrates the behavior of the reset outputs.

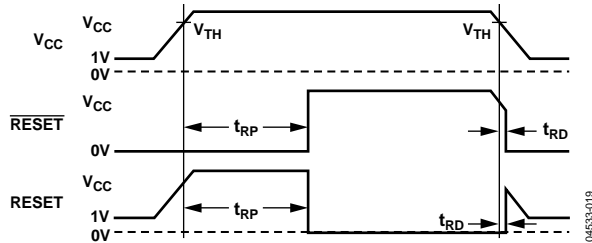


Figure 17. Reset Timing Diagram

OPEN-DRAIN RESET OUTPUT

The [ADM6320/ADM6321/ADM6322](#) have an active low, open-drain reset output. This output structure requires an external pull-up resistor to connect the reset output to a voltage rail no higher than 6 V. The resistor must comply with the microprocessor's logic low and logic high voltage level requirements while supplying input current and leakage paths on the \overline{RESET} line. A 10 k Ω resistor is adequate in most situations.

MANUAL RESET INPUT

The [ADM6316/ADM6317/ADM6319/ADM6320/ADM6322](#) feature a manual reset input (\overline{MR}), which when driven low, asserts the reset output. When \overline{MR} transitions from low to high, reset remains asserted for the duration of the reset active timeout period before deasserting. The \overline{MR} input has a 52 k Ω , internal pull-up so that the input is always high when unconnected. An external push-button switch can be connected between \overline{MR} and ground so that the user can generate a reset. Debounce circuitry for this purpose is integrated on chip. Noise immunity is provided on the \overline{MR} input, and fast, negative going transients of up to 100 ns (typical) are ignored. A 0.1 μ F capacitor between \overline{MR} and ground provides additional noise immunity.

WATCHDOG INPUT

The [ADM6316/ADM6317/ADM6318/ADM6320/ADM6321](#) feature a watchdog timer that monitors microprocessor activity. A timer circuit is cleared with every low-to-high or high-to-low logic transition on the watchdog input pin (WDI), which detects pulses as short as 50 ns. If the timer counts through the preset watchdog timeout period (t_{WD}), reset is asserted. The microprocessor is required to toggle the WDI pin to avoid being reset. Failure of the microprocessor to toggle WDI within the timeout period, therefore, indicates a code execution error, and the reset pulse generated restarts the microprocessor in a known state.

As well as logic transitions on WDI, the watchdog timer is also cleared by a reset assertion due to an undervoltage condition on V_{CC} or due to \overline{MR} being pulled low. When reset is asserted, the watchdog timer is cleared and does not begin counting again until reset deasserts. The watchdog timer can be disabled by leaving WDI floating or by three-stating the WDI driver.

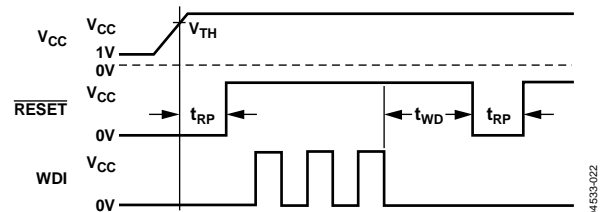


Figure 18. Watchdog Timing Diagram

APPLICATIONS INFORMATION

WATCHDOG INPUT CURRENT

To minimize watchdog input current (and minimize overall power consumption), leave WDI low for the majority of the watchdog timeout period. When driven high, WDI can draw as much as 160 μ A. Pulsing WDI low-to-high-to-low at a low duty cycle reduces the effect of the large input current. When WDI is unconnected, a window comparator disconnects the watchdog timer from the reset output circuitry so that reset is not asserted when the watchdog timer times out.

NEGATIVE GOING V_{CC} TRANSIENTS

To avoid unnecessary resets caused by fast power supply transients, the ADM6316/ADM6317/ADM6318/ADM6319/ADM6320/ADM6321/ADM6322 are equipped with glitch rejection circuitry. The typical performance characteristic in Figure 14 plots V_{CC} transient duration vs. the transient magnitude. The curves show combinations of transient magnitude and duration for which a reset is not generated for 4.63 V and 2.93 V reset threshold parts. For example, with the 2.93 V threshold, a transient that goes 100 mV below the threshold and lasts 8 μ s typically does not cause a reset, but if the transient is any larger in magnitude or duration, a reset is generated. An optional 0.1 μ F bypass capacitor mounted close to V_{CC} provides additional glitch rejection.

ENSURING RESET VALID TO $V_{CC} = 0$ V

Both active low and active high reset outputs are guaranteed to be valid for V_{CC} as low as 1 V. However, by using an external resistor with push-pull configured reset outputs, valid outputs for V_{CC} as low as 0 V are possible. For an active low reset output, a resistor connected between RESET and ground pulls the output low when it is unable to sink current. For the active high case, a resistor connected between RESET and V_{CC} pulls the output high when it is unable to source current. A large resistance, such as 100 k Ω , must be used so that it does not overload the reset output when V_{CC} is above 1 V.

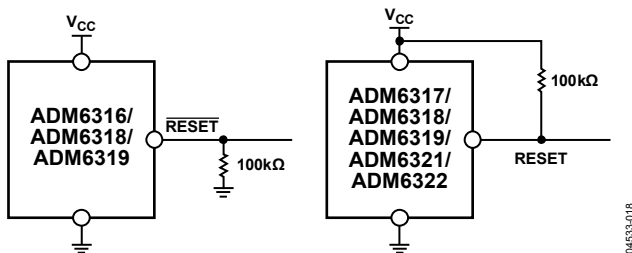


Figure 19. Ensuring Reset Valid to $V_{CC} = 0$ V

WATCHDOG SOFTWARE CONSIDERATIONS

In implementing the microprocessor's watchdog strobe code, quickly switching WDI low to high and then high to low (minimizing WDI high time) is desirable for current consumption reasons. However, a more effective way of using the watchdog function can be considered.

A low-to-high-to-low WDI pulse within a given subroutine prevents the watchdog from timing out. However, if the subroutine becomes stuck in an infinite loop, the watchdog cannot detect this because the subroutine continues to toggle WDI. A more effective coding scheme for detecting this error involves using a slightly longer watchdog timeout. In the program that calls the subroutine, WDI is set high. The subroutine sets WDI low when it is called. If the program executes without error, WDI is toggled high and low with every loop of the program. If the subroutine enters an infinite loop, WDI is kept low, the watchdog times out, and the microprocessor is reset (see Figure 20).

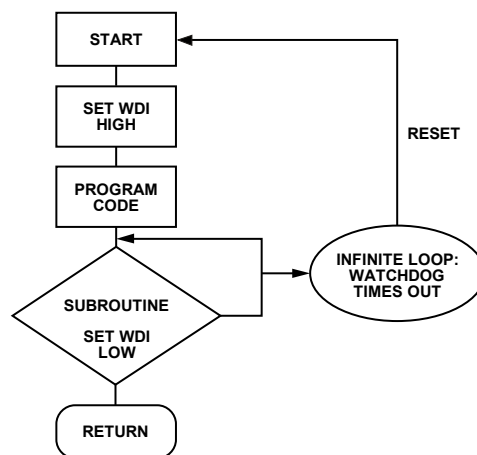


Figure 20. Watchdog Flow Diagram

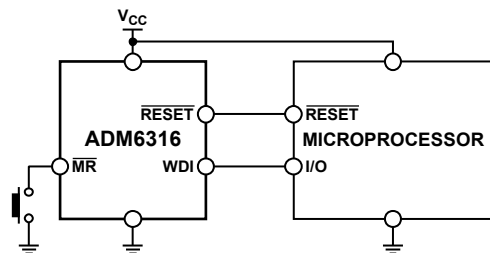


Figure 21. Typical Application Circuit

ADM6316/ADM6317/ADM6318/ADM6319/ADM6320/ADM6321/ADM6322

MODEL OPTIONS

Table 5. Reset Voltage Threshold Options

| Part No. ¹ | T _A = +25°C | | | T _A = -40°C to +85°C | | Unit |
|-----------------------|------------------------|-------|-------|---------------------------------|-------|------|
| | Min | Typ | Max | Min | Max | |
| ADM63xxx50 | 4.925 | 5.000 | 5.075 | 4.875 | 5.125 | V |
| ADM63xxx49 | 4.827 | 4.900 | 4.974 | 4.778 | 5.023 | V |
| ADM63xxx48 | 4.728 | 4.800 | 4.872 | 4.680 | 4.920 | V |
| ADM63xxx47 | 4.630 | 4.700 | 4.771 | 4.583 | 4.818 | V |
| ADM63xxx46 | 4.561 | 4.630 | 4.699 | 4.514 | 4.746 | V |
| ADM63xxx45 | 4.433 | 4.500 | 4.568 | 4.388 | 4.613 | V |
| ADM63xxx44 | 4.314 | 4.390 | 4.446 | 4.270 | 4.490 | V |
| ADM63xxx43 | 4.236 | 4.300 | 4.365 | 4.193 | 4.408 | V |
| ADM63xxx42 | 4.137 | 4.200 | 4.263 | 4.095 | 4.305 | V |
| ADM63xxx41 | 4.039 | 4.100 | 4.162 | 3.998 | 4.203 | V |
| ADM63xxx40 | 3.940 | 4.00 | 4.060 | 3.900 | 4.100 | V |
| ADM63xxx39 | 3.842 | 3.900 | 3.959 | 3.803 | 3.998 | V |
| ADM63xxx38 | 3.743 | 3.800 | 3.857 | 3.705 | 3.895 | V |
| ADM63xxx37 | 3.645 | 3.700 | 3.756 | 3.608 | 3.793 | V |
| ADM63xxx36 | 3.546 | 3.600 | 3.654 | 3.510 | 3.690 | V |
| ADM63xxx35 | 3.448 | 3.500 | 3.553 | 3.413 | 3.588 | V |
| ADM63xxx34 | 3.349 | 3.400 | 3.451 | 3.315 | 3.485 | V |
| ADM63xxx33 | 3.251 | 3.300 | 3.350 | 3.218 | 3.383 | V |
| ADM63xxx32 | 3.152 | 3.200 | 3.248 | 3.120 | 3.280 | V |
| ADM63xxx31 | 3.034 | 3.080 | 3.126 | 3.003 | 3.157 | V |
| ADM63xxx30 | 2.955 | 3.000 | 3.045 | 2.925 | 3.075 | V |
| ADM63xxx29 | 2.886 | 2.930 | 2.974 | 2.857 | 3.000 | V |
| ADM63xxx28 | 2.758 | 2.800 | 2.842 | 2.730 | 2.870 | V |
| ADM63xxx27 | 2.660 | 2.700 | 2.741 | 2.633 | 2.768 | V |
| ADM63xxx26 | 2.591 | 2.630 | 2.669 | 2.564 | 2.696 | V |
| ADM63xxx25 | 2.463 | 2.500 | 2.538 | 2.438 | 2.563 | V |

¹ Complete the model code by replacing xxx with a device generic number and code for the reset timeout period.

Table 6. Reset Timeout Options

| Suffix | Min | Typ | Max | Unit |
|--------|------|------|------|------|
| A | 1 | 1.6 | 2 | ms |
| B | 20 | 30 | 40 | ms |
| C | 140 | 200 | 280 | ms |
| D | 1.12 | 1.60 | 2.24 | sec |

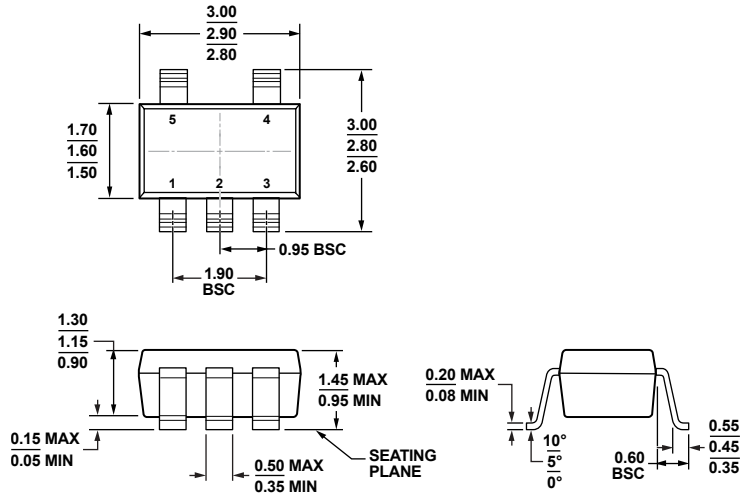
Table 7. Watchdog Timer Options

| Suffix | Min | Typ | Max | Unit |
|--------|------|------|------|------|
| W | 4.3 | 6.3 | 9.3 | ms |
| X | 71 | 102 | 153 | ms |
| Y | 1.12 | 1.6 | 2.24 | sec |
| Z | 17.9 | 25.6 | 38.4 | sec |

Table 8. Standard Models

| Model | Reset Threshold (V) | Minimum Reset Timeout (ms) | Typical Watchdog Timeout (sec) |
|--------------------|---------------------|----------------------------|--------------------------------|
| ADM6316AY27ARJZ-R7 | 2.7 | 1 | 1.6 |
| ADM6316AY29ARJZ-R7 | 2.93 | 1 | 1.6 |
| ADM6316AZ29ARJZ-R7 | 2.93 | 1 | 25.6 |
| ADM6316BX30ARJZ-R7 | 3 | 20 | 0.102 |
| ADM6316BX32ARJZ-R7 | 3.2 | 20 | 0.102 |
| ADM6316BX46ARJZ-R7 | 4.63 | 20 | 0.102 |
| ADM6316CW25ARJZ-R7 | 2.5 | 140 | 0.0063 |
| ADM6316CY26ARJZ-R7 | 2.63 | 140 | 1.6 |
| ADM6316CY29ARJ-RL7 | 2.93 | 140 | 1.6 |
| ADM6316CY29ARJZ-R7 | 2.93 | 140 | 1.6 |
| ADM6316CY46ARJZ-R7 | 4.63 | 140 | 1.6 |
| ADM6316DZ26ARJ-RL7 | 2.63 | 1120 | 25.6 |
| ADM6316DZ26ARJZ-R7 | 2.63 | 1120 | 25.6 |
| ADM6316DZ31ARJ-RL7 | 3.08 | 1120 | 25.6 |
| ADM6316DZ31ARJZ-R7 | 3.08 | 1120 | 25.6 |
| ADM6318BX49ARJZ-R7 | 4.9 | 20 | 0.102 |
| ADM6318CY29ARJZ-R7 | 2.93 | 140 | 1.6 |
| ADM6318CY45ARJZ-R7 | 4.5 | 140 | 1.6 |
| ADM6318CY46ARJ-RL7 | 4.63 | 140 | 1.6 |
| ADM6318CY46ARJZ-R7 | 4.63 | 140 | 1.6 |
| ADM6318CZ28ARJZ-R7 | 2.8 | 140 | 25.6 |
| ADM6319B25ARJZ-R7 | 2.5 | 20 | Not Applicable |
| ADM6319B31ARJZ-RL7 | 3.08 | 20 | Not Applicable |
| ADM6319C29ARJZ-RL7 | 2.93 | 140 | Not Applicable |
| ADM6319C46ARJZ-RL7 | 4.63 | 140 | Not Applicable |
| ADM6320BX33ARJZ-R7 | 3.3 | 20 | 0.102 |
| ADM6320BX45ARJZ-R7 | 4.5 | 20 | 0.102 |
| ADM6320CW33ARJZ-R7 | 3.3 | 140 | 0.0063 |
| ADM6320CX29ARJZ-R7 | 2.93 | 140 | 0.102 |
| ADM6320CY29ARJ-RL7 | 2.93 | 140 | 1.6 |
| ADM6320CY29ARJZ-R7 | 2.93 | 140 | 1.6 |
| ADM6320CY31ARJZ-R7 | 3.08 | 140 | 1.6 |
| ADM6320CY46ARJ-RL7 | 4.63 | 140 | 1.6 |
| ADM6320CY46ARJZ-R7 | 4.63 | 140 | 1.6 |
| ADM6320CZ27ARJZ-R7 | 2.7 | 140 | 25.6 |
| ADM6320CZ29ARJ-RL7 | 2.93 | 140 | 25.6 |
| ADM6320CZ29ARJZ-R7 | 2.93 | 140 | 25.6 |
| ADM6321AX29ARJZ-R7 | 2.93 | 1 | 0.102 |
| ADM6321AY30ARJZ-R7 | 3 | 1 | 1.6 |
| ADM6321AY31ARJZ-R7 | 3.08 | 1 | 1.6 |
| ADM6321AY43ARJZ-R7 | 4.3 | 1 | 1.6 |
| ADM6321BZ25ARJZ-R7 | 2.5 | 20 | 25.6 |
| ADM6321CY46ARJZ-R7 | 4.63 | 140 | 1.6 |
| ADM6322C29ARJZ-R7 | 2.93 | 140 | Not Applicable |
| ADM6322C46ARJ-RL7 | 4.63 | 140 | Not Applicable |
| ADM6322C46ARJZ-RL7 | 4.63 | 140 | Not Applicable |

OUTLINE DIMENSIONS



COMPLIANT TO JEDEC STANDARDS MO-178-AA

11-01-2016-A

Figure 22. 5-Lead Small Outline Transistor Package [SOT-23] (RJ-5)

Dimensions shown in millimeters

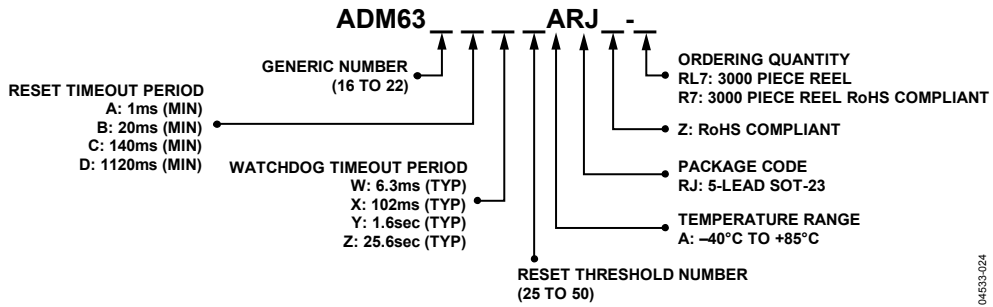


Figure 23. Ordering Code Structure (Modified Diagram)

04533-024

ORDERING GUIDE

| Model ^{1, 2, 3} | Temperature Range | Package Description | Package Option | Ordering Quantity ⁴ | Branding |
|--------------------------|-------------------|---------------------|----------------|--------------------------------|----------|
| ADM6316xxxARJ-RL7 | -40°C to +85°C | 5-Lead SOT-23 | RJ-5 | 3,000 | N00 |
| ADM6316xxxARJZ-R7 | -40°C to +85°C | 5-Lead SOT-23 | RJ-5 | 3,000 | M7Q |
| ADM6317xxxARJZ-R7 | -40°C to +85°C | 5-Lead SOT-23 | RJ-5 | 3,000 | M9N |
| ADM6318xxxARJ-RL7 | -40°C to +85°C | 5-Lead SOT-23 | RJ-5 | 3,000 | N02 |
| ADM6318xxxARJZ-R7 | -40°C to +85°C | 5-Lead SOT-23 | RJ-5 | 3,000 | M4Q |
| ADM6319xxxARJZ-R7 | -40°C to +85°C | 5-Lead SOT-23 | RJ-5 | 3,000 | N05 |
| ADM6320xxxARJ-RL7 | -40°C to +85°C | 5-Lead SOT-23 | RJ-5 | 3,000 | N04 |
| ADM6320xxxARJZ-R7 | -40°C to +85°C | 5-Lead SOT-23 | RJ-5 | 3,000 | N0T |
| ADM6321xxxARJZ-R7 | -40°C to +85°C | 5-Lead SOT-23 | RJ-5 | 3,000 | M8L |
| ADM6322xxxARJ-RL7 | -40°C to +85°C | 5-Lead SOT-23 | RJ-5 | 3,000 | N06 |
| ADM6322xxxARJZ-RL7 | -40°C to +85°C | 5-Lead SOT-23 | RJ-5 | 3,000 | M8J |

¹ Complete the ordering code by inserting the reset voltage threshold, reset timeout, and watchdog timer (ADM6316/ADM6317/ADM6318/ADM6320/ADM6321) suffixes from Table 5 to Table 7. No watchdog timeout is available for ADM6319/ADM6322.

² Z = RoHS Compliant Part.

³ Contact sales for the availability of nonstandard models. See Table 8 for a list of standard models.

⁴ A minimum of 12,000 (four reels) must be ordered.