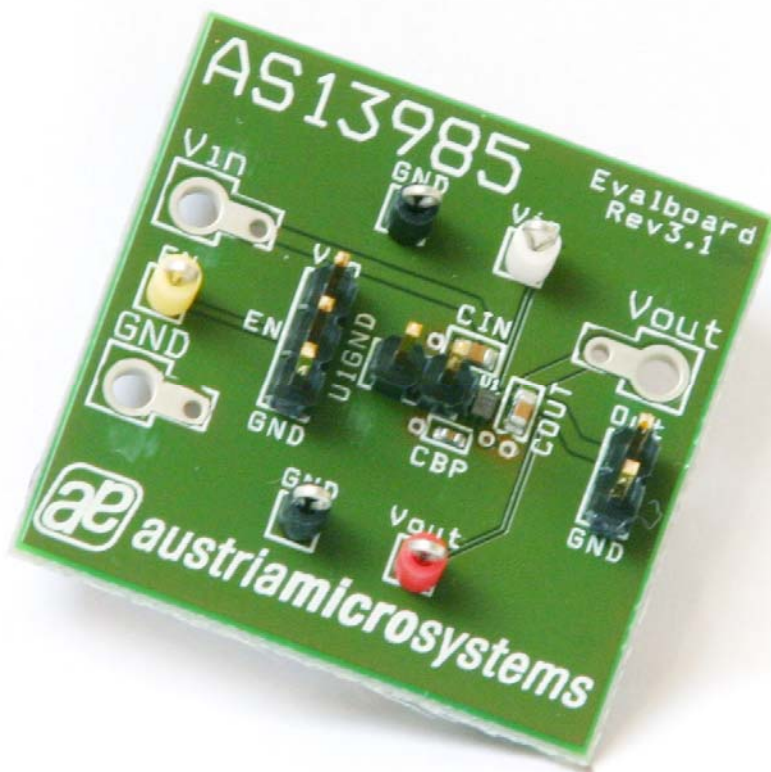


# AS13985

## Evaluation Board Application Note



## General Description

### Board Description

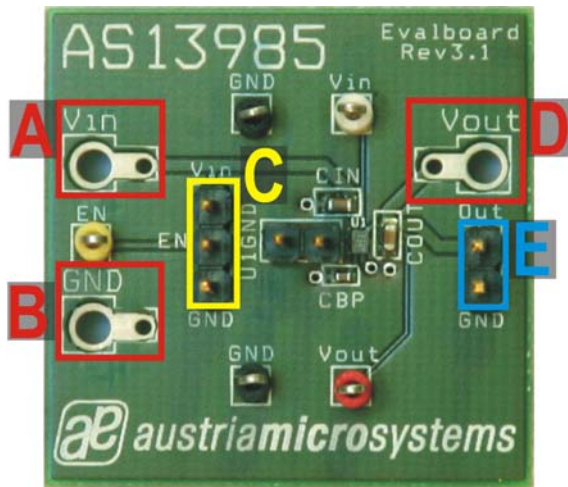


Figure 1: Board Description - Connector

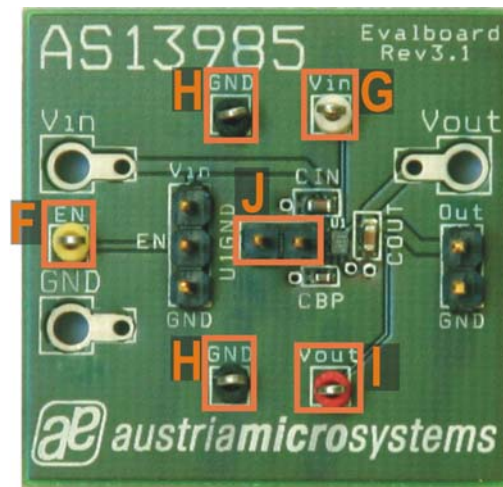


Figure 2: Board Description – Measurement Points

### Connector Description

Label	Jumper	Description	Info
A	Vin	Power Supply Connectors for Vin and Ground.	+2.5V to +5.5V
B	GND		
C	Vin / GND	EN Enable Jumper	<input type="checkbox"/> 1/ON = The AS13985 is on. <input type="checkbox"/> 0/OFF = The AS13985 is off and the current into Vin is $\leq 1\mu\text{A}$ (typ).
D	Vout	Power Output Connector	Regulated Output Voltage
E	Out, GND	Power Output and Ground Connector	Additional Connectors to apply a load

### Measurement Points

Label	Jumper	Description	Info
F	EN	Enable Pin Connector <sup>1</sup>	Measurement Points
G	Vin	Power Supply Connectors for Vin and Ground.	
H	GND		
I	Vout	Power Output Connector	
J	U1GND	$I_q$ Quiescent Current Connector <sup>2</sup>	

## Operational sequence

1. If not present get the [datasheet for the AS13985](http://www.austriamicrosystems.com) from [www.austriamicrosystems.com](http://www.austriamicrosystems.com). Drive the IC on the evaluation board only with the recommended settings and values as described in the datasheet.
2. Connect a +2.5V to +5.5V power supply (Vin "A" and GND "B").
3. Perform measurements at the measurement points.

Have fun using the Evaluation Board. If there are questions do not hesitate to contact us. See contact information at the end of the application note.

<sup>1</sup> If the EN measurement point F is used as a connector, be sure that the EN jumper C is completely removed. Otherwise the supply source could be damaged through a short circuit.

<sup>2</sup> For normal operation jumper J has to be always set. For the measurement of the quiescent current remove the jumper and connect an analyzer here.

## Layout of demoboard

### Board schematics and layout

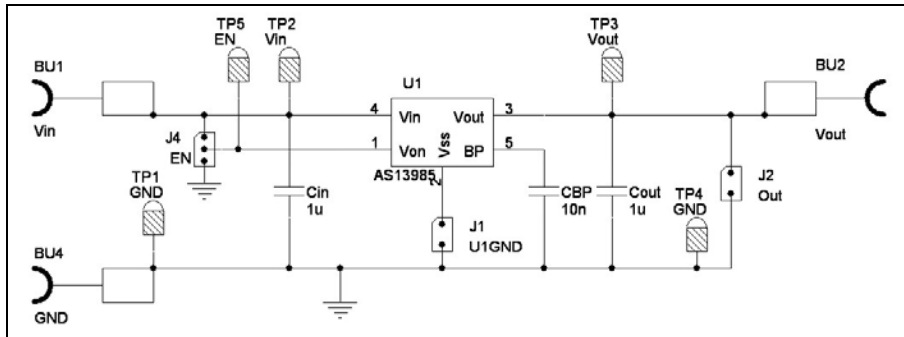


Figure 3: Schematic

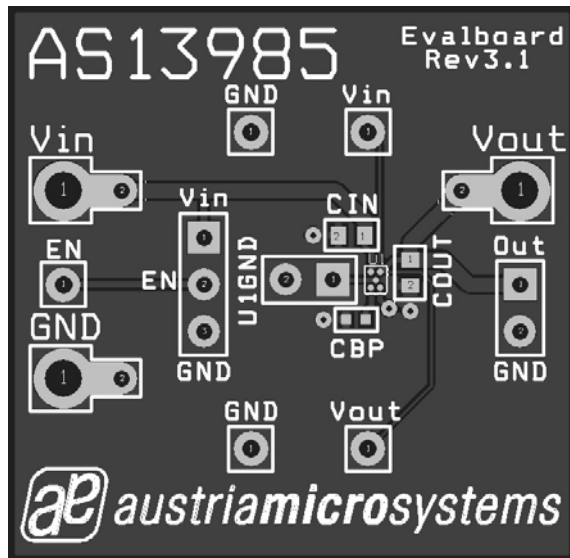


Figure 4: Top View

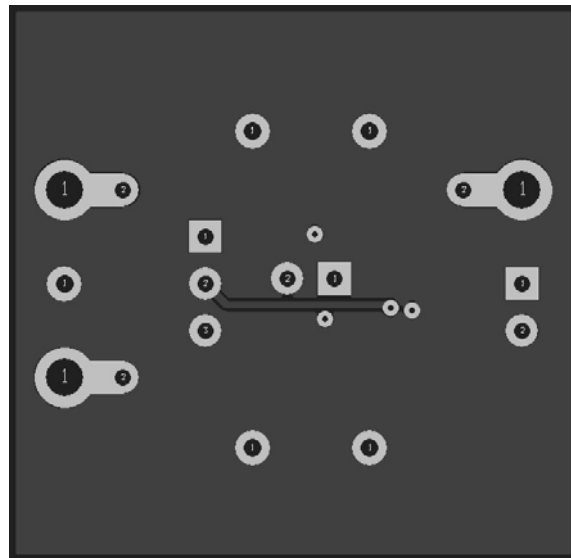


Figure 5: Bottom View

### Assembly List

Label	Info	Type	Manufacturer
<b>Cin, Cout</b>	1 $\mu$ F, 0603, X7R	GRM188R71C105	Murata
<b>Cbyp</b>	10nF, 0402, X7R	GRM155R71H103	

## Copyright

Copyright © 1997-2008, austriamicrosystems AG, Schloss Premstaetten, 8141 Unterpremstaetten, Austria-Europe. Trademarks Registered ®. All rights reserved. The material herein may not be reproduced, adapted, merged, translated, stored, or used without the prior written consent of the copyright owner.

All products and companies mentioned are trademarks or registered trademarks of their respective companies.

## Disclaimer

Devices sold by austriamicrosystems AG are covered by the warranty and patent indemnification provisions appearing in its Term of Sale. austriamicrosystems AG makes no warranty, express, statutory, implied, or by description regarding the information set forth herein or regarding the freedom of the described devices from patent infringement. Austriamicrosystems AG reserves the right to change specifications and prices at any time and without notice. Therefore, prior to designing this product into a system, it is necessary to check with austriamicrosystems AG for current information.

This product is intended for use in normal commercial applications. Applications requiring extended temperature range, unusual environmental requirements, or high reliability applications, such as military, medical life-support or life sustaining equipment are specifically not recommended without additional processing by austriamicrosystems AG for each application. For shipments of less than 100 parts the manufacturing flow might show deviations from the standard production flow, such as test flow or test location.

The information furnished here by austriamicrosystems AG is believed to be correct and accurate. However, austriamicrosystems AG shall not be liable to recipient or any third party for any damages, including but not limited to personal injury, property damage, loss of profits, loss of use, interruption of business or indirect, special, incidental or consequential damages, of any kind, in connection with or arising out of the furnishing, performance or use of the technical data herein. No obligation or liability to recipient or any third party shall arise or flow out of austriamicrosystems AG rendering of technical or other services.



## Contact Information

### Headquarters

austriamicrosystems AG  
A-8141 Schloss Premstätten, Austria  
T. +43 (0) 3136 500 0  
F. +43 (0) 3136 5692

For Sales Offices, Distributors and Representatives, please visit:  
<http://www.austriamicrosystems.com/contact-us>