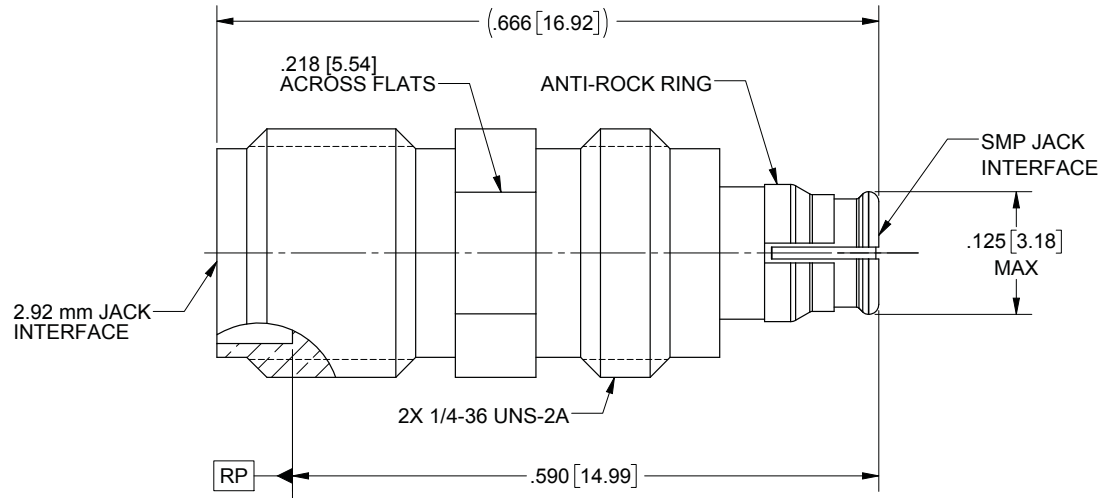


ROHS COMPLIANT

# PRODUCT DATA DRAWING

REVISION HISTORY			
REV	DESCRIPTION	DATE	APPROVED
-	DCN 43202	03/17	MAL



**MATERIALS;**

BODY, CONTACT,  
EMI-RING &  
ANTI-ROCK RING:

BERYLLIUM COPPER AALLOY C17300 PER ASTM B196  
INSULATOR: PTFE PER ASTM D1710

**FINISHES:**

BODY, CONTACT,  
EMI-RING &  
ANTI-ROCK RING:

GOLD PER ASTM B488, TYPE II  
GRADE C, CLASS 1.27, OVER NICKEL  
PER AMS-QQ-N-290, CLASS 1

**ELECTRICAL:**

IMPEDANCE:  
FREQ. RANGE:  
D.W.V.:  
INSULATION RES.:

50 OHMS  
DC TO 40 GHZ  
500 VRMS  
5,000 MEGOHMS MINIMUM

<b>MATERIAL:</b> SEE NOTES <b>FINISH:</b> SEE NOTES <b>SURFACE AREA:</b> N/A	DIMENSIONS ARE IN INCHES TOLERANCES: FRACTIONAL: ±1/64 ANGULAR: X° ±1'0" X°X' ±15" DECIMAL: X ±.030 .XX ±.010 .XXX ±.005	UNLESS OTHERWISE SPECIFIED 1) ALL DIMENSIONS ARE IN INCHES (MILLIMETERS) 2) ALL DIMENSIONS ARE AFTER PLATING 3) BREAK CORNERS & EDGES .005 R. MAX. 4) CHAM: 1ST & LAST THREADS. 5) SURFACE ROUGHNESS 63 MIL-STD-10. 6) DIA: S ON COMMON CENTERS TO BE CONCENTRIC WITHIN .005 T.I.R. 7) REMOVE ALL BURRS	<b>SV MICROWAVE</b> Amphenol 2400 Centrepark West Drive, Suite 100 West Palm Beach, FL 33409	
	INTERPRET DIMENSIONS AND TOLERANCES PER ASME Y14.5M - 1994		THIRD ANGLE PROJECTION	DRAWN: VB 13/03/17 CHECKED: MAL 13/03/17 APPROVED: MAL 13/03/17