

Turned contacts turned crimp female contact for wire 16mm²

Part No. VN02 036 0021 1C



Series Contacts

11.11.2013

Subseries Contact Turned contacts

COMMON CHARACTERISTICS		
Wire gauge from		16
Wire gauge (AWG) from		6
Packaging / supplied as		Single contact
No. of pieces		100
Sex of Contact		Socket
Type of contact		Turned crimp contact
ELECTRICAL CHARACTERISTICS		
Contact resistance	DIN EN 60512-2-1, Test 2a / IEC 60512-2-1, Test 2a	0 m

Turned contacts turned crimp female contact for wire 16mm²

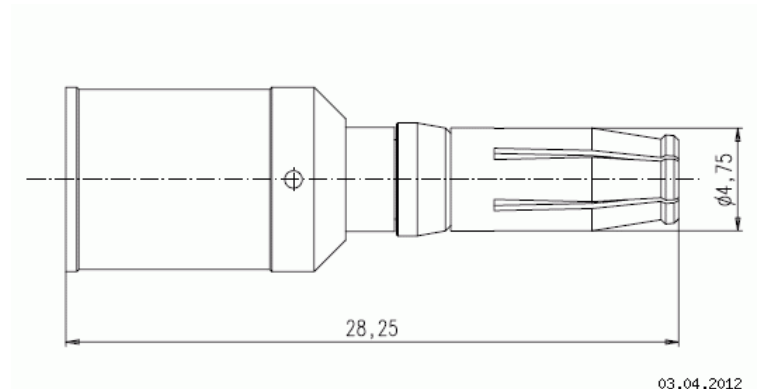
Part No. VN02 036 0021 1C

Series Contacts

Subseries Contact Turned contacts



11.11.2013



Drawing Dimensions in mm (Inch)

03.04.2012