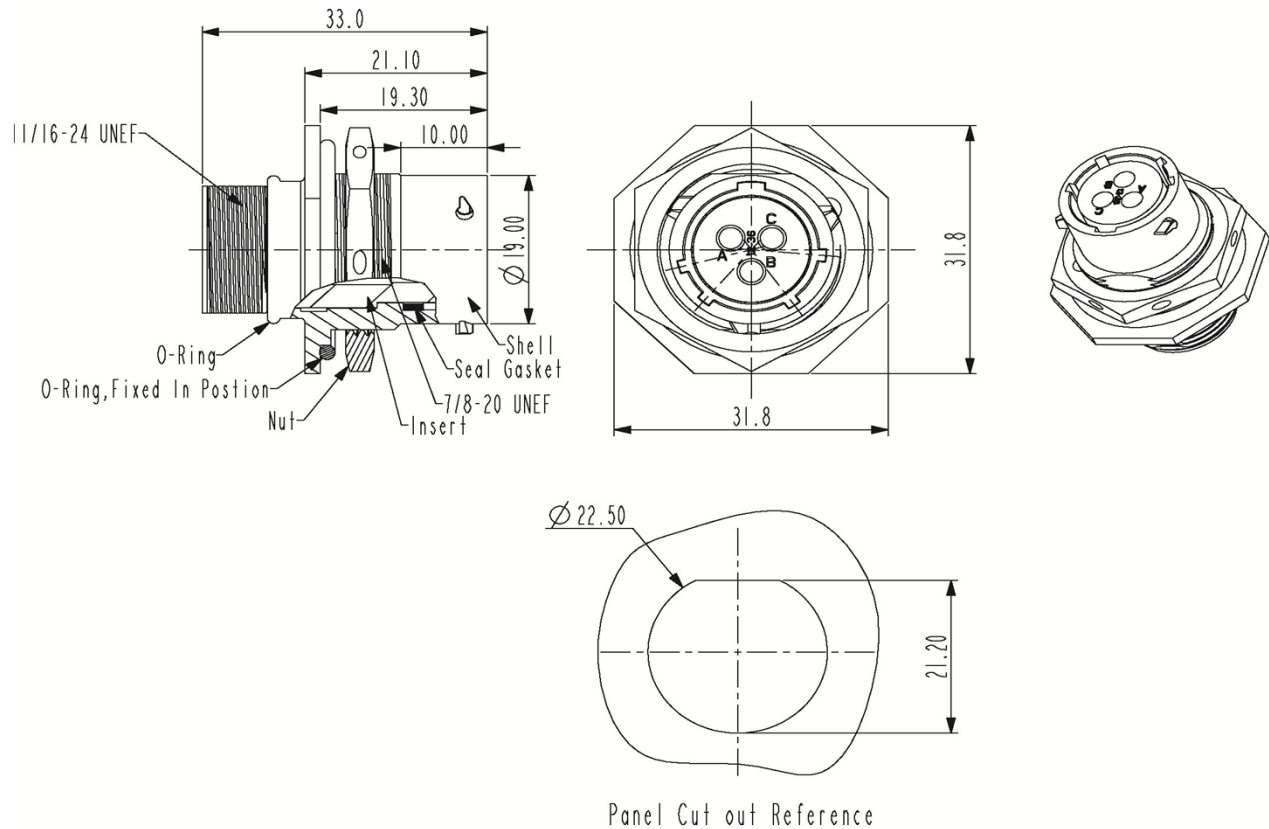


| CONFIGURATION                                     | PART NUMBER |
|---|-------------|
| Female Jamnut Receptacle, 3 Pin, 16 Awg, Shell 12 | RT07123SNH  |

### DIMENSIONS



### TECHNICAL DATA

|                    |  |
|--------------------|--|
| TEMPERATURE RANGE: | -40°C to + 105°C   |
| PROTECTION:        | IP67 in mated condition and in combination with sealed backshell |
| VOLTAGE RATING:    | 250V   |
| HOUSING BODY:      | Zinc Alloy, Nickel Plated  |
| COUPLING NUT:      | -  |
| INSERT:            | Glass-filled Thermoplastic UL94-V0                               |
| SEAL:              | NBR  |
| CURRENT:           | 13A  |
| CONTACT SIZE:      | 16Awg  |
| APPROVALS:         | UL ECBT2   |