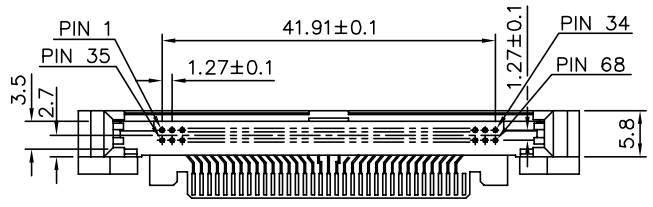
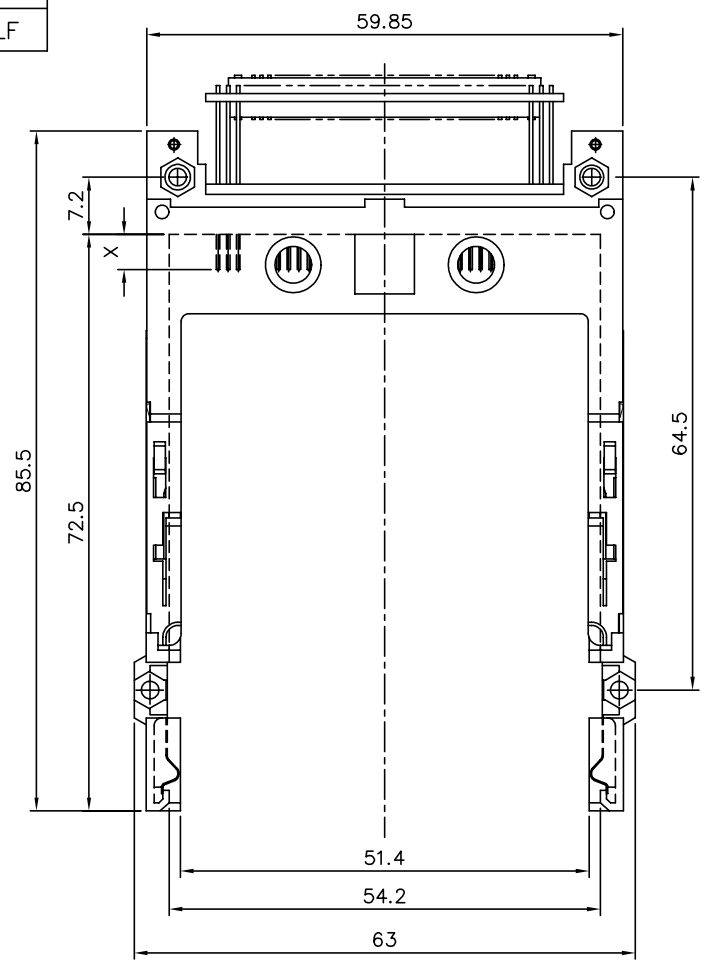


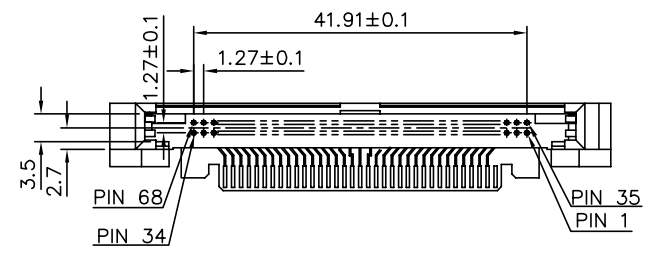
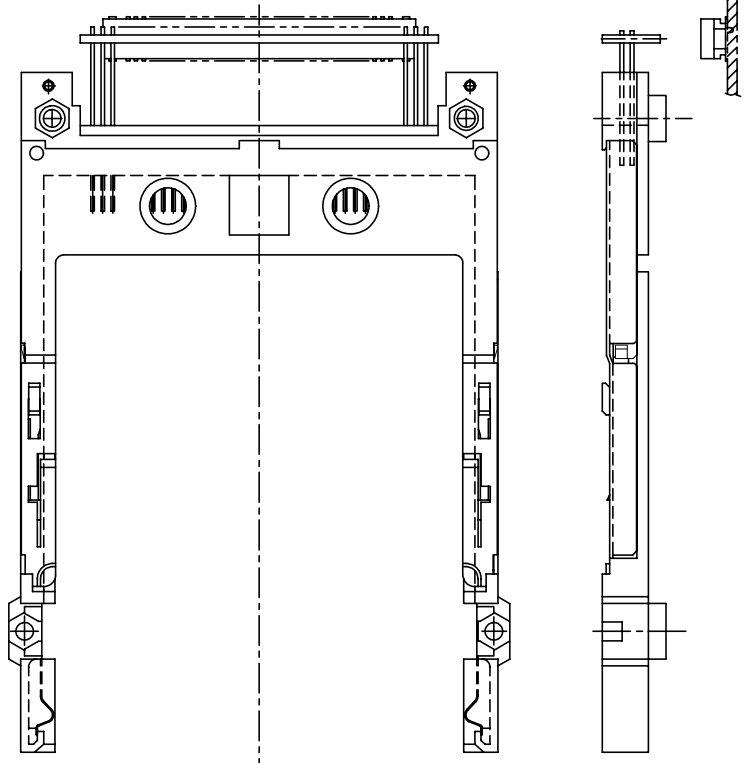
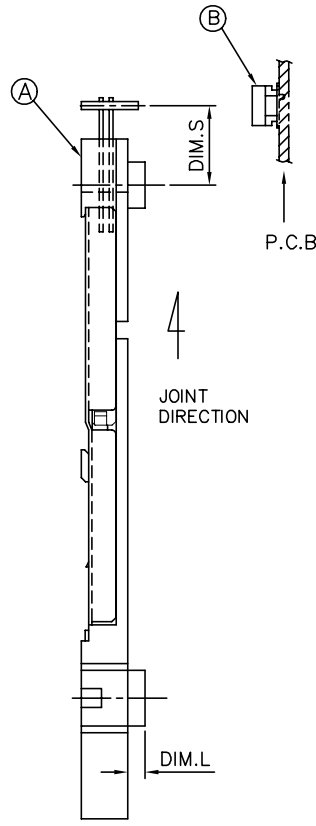
FCI CONFIDENTIAL

FCI
FCIconnect.com

PRODUCT NO.
88640-***
88640-***LF



ABOVE P.C.B(P.C.B LAYOUT SEE PAGE 3,4)



BELOW P.C.B(P.C.B LAYOUT SEE PAGE 5,6)

mat'l. code		surface		tolerance		projection		product family	
		ISO 1302		ISO 406		ISO 1181		EJECTOR HEADER ASS'Y	
ltr ecn no dr date		tolerances unless otherwise specified		linear		MM		68POS. SMT TYP 1/2/3	
E	T90210	W	L	05/24/99	angles	±0.30		scale 1:1	
F	T04-0205	W	L	05/13/04	linear			dwg no 88640 sheet 1 of 6 size A4	
G	N05-0156	W	B	06/15/05	±2'			type CUSTOMER Drawing	
H	N08-0099	MZ		12/11/07	chr	WENDY CHEN	12/19/95	FCI	
J	ELX-N-011428	ZK		04/10/12	engr	JOSEPH HSIA	12/19/95		
					chr	JOSEPH HSIA	12/19/95		
					appd	JENN TSAO	12/19/95		
sheet index	revision sheet	J	J	J	J	J	J		
		1	2	3	4	5	6		

FCI CONFIDENTIAL

FCI

This document is the property of and embodies CONFIDENTIAL and PROPRIETARY information of FCI. No part of this information shown on this document may be used in any way or disclosed to others without the written consent of FCI. Copyright FCI.

A

B

C

D

BELOW	0	88640-155/155LF	91931-31169 91931-31169LF	6.55	NO	LAYOUT 6-1
	5	88640-150/150LF		-0.3	YES	LAYOUT 6-2
	0	88640-145/145LF		6.55	NO	LAYOUT 6-1
	4.3	88640-143/143LF		-0.3	YES	LAYOUT 6-2
	0	88640-125/125LF		9.0	NO	LAYOUT 5-1
	2.2	88640-122/122LF		2.15	YES	LAYOUT 5-2
	0	88640-100/100LF		10.0	NO	LAYOUT 4
ABOVE	0	88640-055/055LF	91931-31169 91931-31169LF	6.55	NO	LAYOUT 3-1
	5	88640-050H/050HLF		-0.3	YES	LAYOUT 3-2
	5	88640-050/050LF		-0.3	YES	LAYOUT 3-2
	5	88640-051/051LF		-0.3	YES	LAYOUT 3-2
	0	88640-045/045LF		6.55	NO	LAYOUT 3-1
	4.3	88640-043/043LF		-0.3	YES	LAYOUT 3-2
	0	88640-025/025LF		9.0	NO	LAYOUT 2-1
	2.2	88640-022/022LF		2.15	YES	LAYOUT 2-2
	0	88640-000/000LF		10.0	NO	LAYOUT 1
P.C.B. SIDE ①	DIM. L	Ⓐ EJ HEADER ASS'Y	Ⓑ CONAN RECEPTACLE	DIM.S	CAN BE USED FOR SINGLE DECK	P.C.B LAYOUT

NOTES:

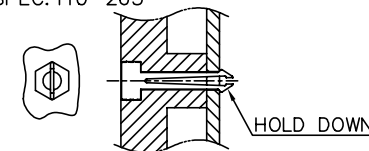
- P.C.B SIDE ARE AS APPEARS INSTALLED.
- MATERIAL
 - 2.1 HEADER ASS'Y :
 - PLASTIC :HOUSING ...HIGH TEMPERATURE THERMOPLASTIC UL94V-0 BLACK(ABOVE P.C.B)
 - ...HIGH TEMPERATURE THERMOPLASTIC UL94V-0 BLACK(BELOW P.C.B)
 - PIN :COPPER ALLOY
 - PCB : FR4
 - 2.2 EJECT MECHANISM ASS'Y :
 - PLASTIC :GUIDE:HIGH TEMPERATURE THERMOPLASTIC UL94V-0 BLACK
 - PLATE :STAINLESS
 - EMI CONTACT:PHOSPHOR BRONZE
- FINISH (PIN)
 - UNDER PLATING :0.5 um MIN. Ni
 - 1.27um Ni (ONLY FOR 88640-051LF)
 - CONTACT AREA :0.076 um MIN. GOLD
 - SOLDER TAIL : 2.5 um MIN. Sn-Pb
 - : 2.5 um MIN. PURE Sn (FOR -****LF)
- DIM "X"

4.25±0.1	3.5±0.1	5.0±0.1
OTHERS	36,67	1,17,34,35,51,68
- DO NOT TOUCH AND KEEP CLEAN THE SURFACES OF P.C.B OF HEADER.
- ADD "H" TO PART NUMBER FOR OPTIONAL HOLD DOWN (4 PER ASSEMBLY IN EJECT MECHANISM AND HEADER)
- IF LEAD FREE P.N.THE HOUSING WILL WITHSTAND EXPOSURE TO 260°C PEAK TEMPERATURE FOR 10 SECONDS IN A WAVE SOLDER APPLICATION WITH A 1.00MM MINIMUM THICK CIRCUIT BOARD.
- IF LEAD FREE P/N.THE PRODUCT MEETS EUROPEAN UNION DIRECTIVES AND OTHER COUNTRY REGULATIONS AS DESCRIBED IN GS-22-008
- LEAD FREE P/N PACKAGING MEETS GS-14-920 SPECIFICATION
- PRODUCT SPEC:110-263

ORDERING INFORMATION

NAME	PART NO.	Q'TY
Ⓐ EJECT HEADER ASS'Y	88640-XXXX	1
Ⓑ MATING RECEPTACLE	91931-31169	1

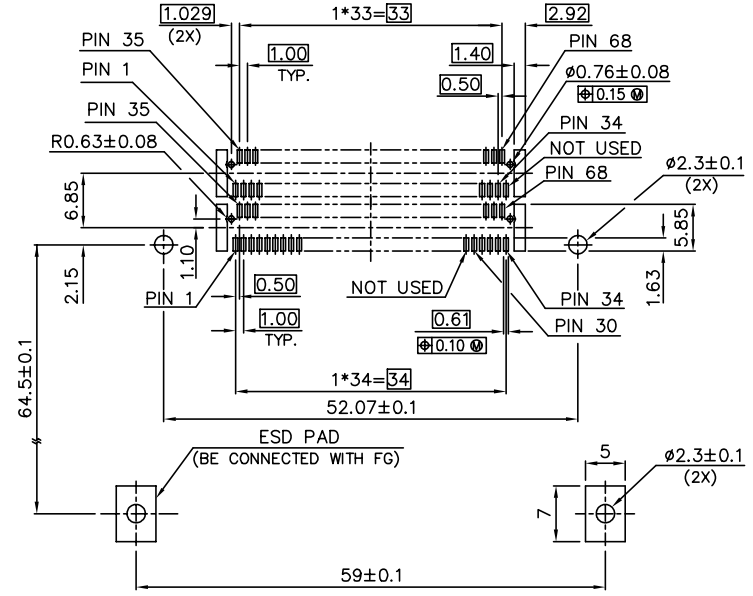
NAME	PART NO.	Q'TY
Ⓐ EJECT HEADER ASS'Y	88640-XXXXLF	1
Ⓑ MATING RECEPTACLE	91931-31169LF	1



mat'l. code		surface	tolerance	projection	product family
		ISO 1302	ISO 406 ISO 1181	1181	
l	tr	ec	n	o	d
date	tolerances unless otherwise specified				title
J	angles	linear	±0.30	MM	EJECTOR HEADER ASS'Y 68POS. SMT TYP 1/2/3
	±2'			scale 1:1	
dr	WENDY CHEN	12/19/95			dwg no
en	JOSEPH HSIA	12/19/95			sheet 2 of 6
chr	JOSEPH HSIA	12/19/95			size
app	JENN TSAO	12/19/95			A4
				type CUSTOMER Drawing	
sheet	revision				
index	sheet				

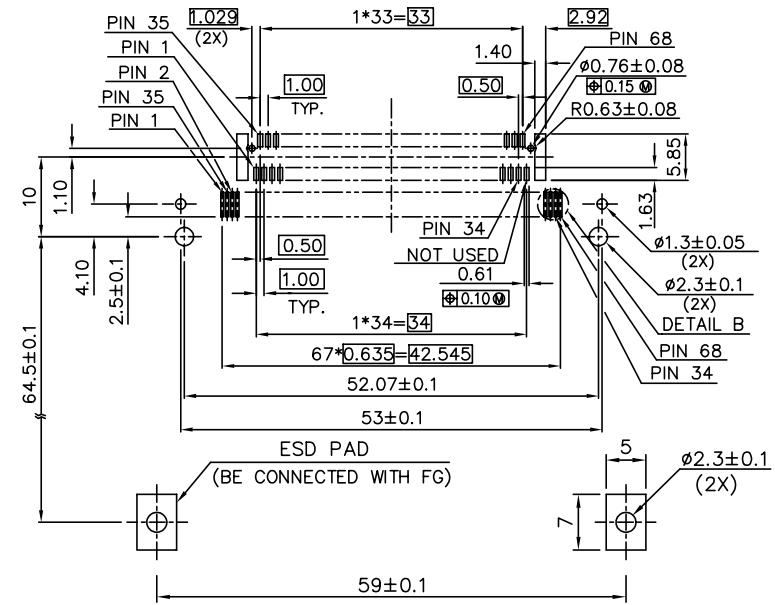
FCI CONFIDENTIAL

USED FOR 88640-022 WITH 88640-025
 USED FOR 88640-022LF WITH 88640-025LF



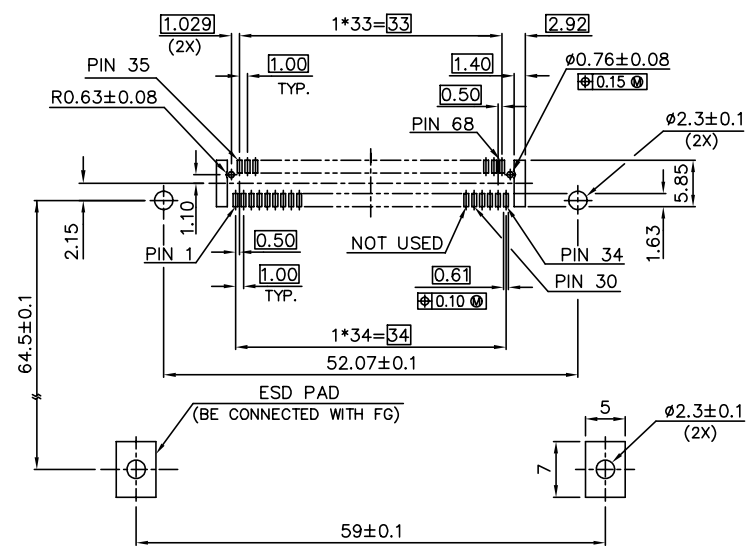
RECOMMENDED P.C.B. LAYOUT 2-1(MOUNTED SIDE)

USED FOR 88640-000 WITH 92789-002
 USED FOR 88640-000LF WITH 92789-002LF

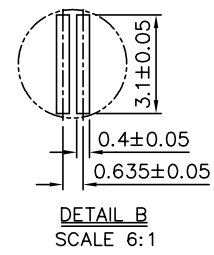


RECOMMENDED P.C.B. LAYOUT 1 (MOUNTED SIDE)

USED FOR 88640-022 /022LF



RECOMMENDED P.C.B. LAYOUT 2-2(MOUNTED SIDE)



mat'l. code		surface		tolerance		projection		product family	
		ISO 1302		ISO 406 ISO 1181		1181			
ltr ecn no dr date		tolerances unless otherwise specified							
J		angles		linear ± 0.30		MM		EJECTOR HEADER ASS'Y 68POS. SMT TYP 1/2/3	
		±2'				SCALE 1:4:1		dwg no sheet 3 of 6 size	
		dr WENDY CHEN 12/19/95		enr JOSEPH HSIA 12/19/95		chr JOSEPH HSIA 12/19/95		88640 A4	
		app JENN TSAO 12/19/95				type CUSTOMER		Drawing	
sheet index		revision sheet							

This document is the property of and embodies CONFIDENTIAL and PROPRIETARY information of FCI. No part of this information shown on this document may be used in any way or disclosed to others without the written consent of FCI. Copyright FCI.

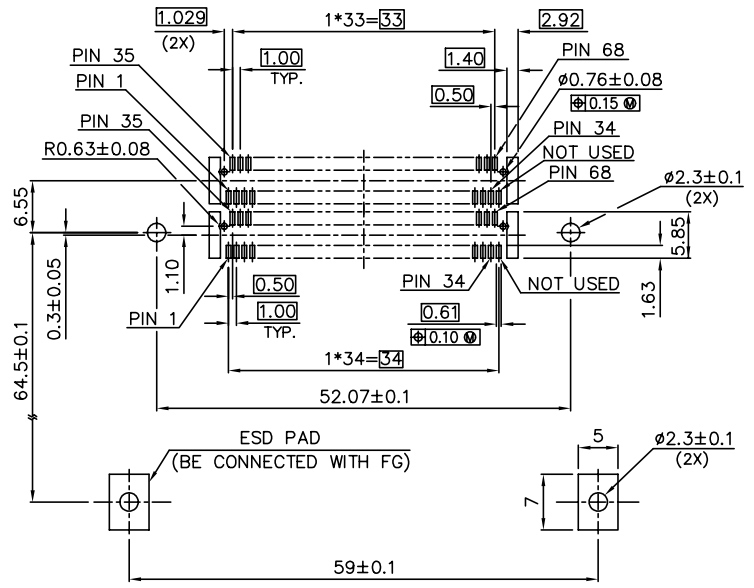
FCI CONFIDENTIAL

This document is the property of and embodies CONFIDENTIAL and PROPRIETARY information of FCI. No part of this information shown on this document may be used in any way or disclosed to others without the written consent of FCI.
Copyright FCI.

FCI
FCIconnect.com

USED FOR 88640-043 WITH 88640-045
USED FOR 88640-050 WITH 88640-055

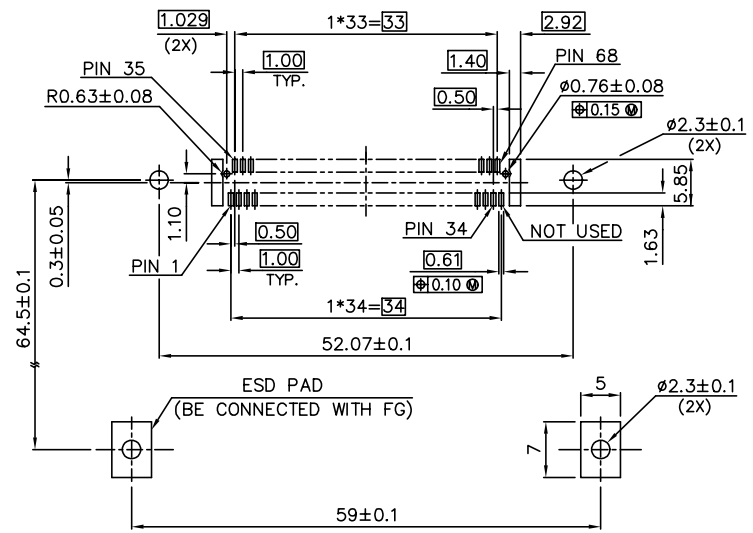
USED FOR 88640-043LF WITH 88640-045LF
USED FOR 88640-050LF WITH 88640-055LF



RECOMMENDED P.C.B. LAYOUT 3-1 (MOUNTED SIDE)

USED FOR 88640-043
USED FOR 88640-050
USED FOR 88640-051
USED FOR 88640-050H

USED FOR 88640-043LF
USED FOR 88640-050LF
USED FOR 88640-051LF
USED FOR 88640-050HLF

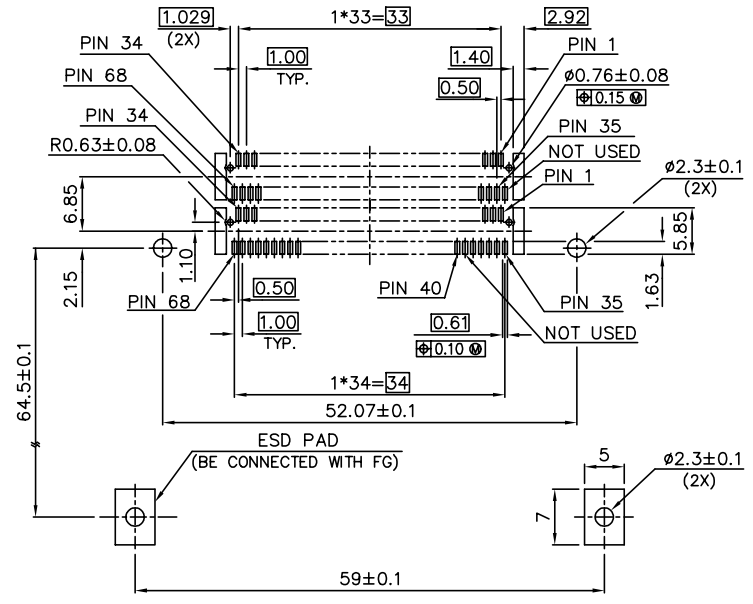


RECOMMENDED P.C.B. LAYOUT 3-2 (MOUNTED SIDE)

mat'l. code		surface		tolerance		projection		product family	
		ISO 1302		ISO 406 ISO 1181		1:1		EJECTOR HEADER ASS'Y	
ltr ecn no dr date		tolerances unless otherwise specified		linear ± 0.30		MM		68POS. SMT TYP 1/2/3	
J		angles		±2'		scale 1.5:1		EJECTOR HEADER ASS'Y	
		dr		WENDY CHEN		12/19/95		dwg no sheet 4 of 6 size	
		enrg		JOSEPH HSIA		12/19/95		88640 A4	
		chr		JOSEPH HSIA		12/19/95		type CUSTOMER Drawing	
		appd		JENN TSAO		12/19/95			
sheet index		revision sheet							

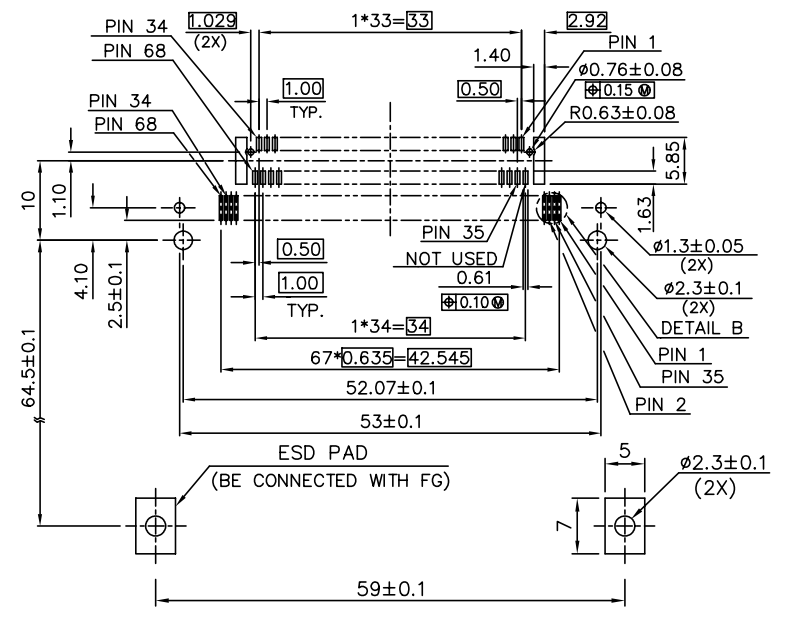
FCI CONFIDENTIAL

USED FOR 88640-122 WITH 88640-125
 USED FOR 88640-122LF WITH 88640-125LF

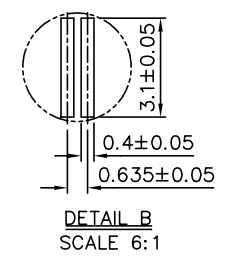


RECOMMENDED P.C.B. LAYOUT 5-1 (MOUNTED SIDE)

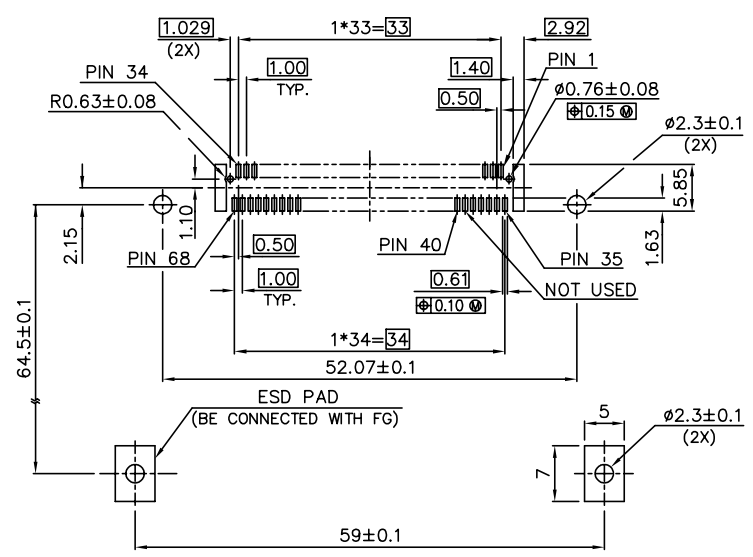
USED FOR 88640-100 WITH 92789-502
 USED FOR 88640-100LF WITH 92789-502LF



RECOMMENDED P.C.B. LAYOUT 4 (MOUNTED SIDE)



USED FOR 88640-122/122LF



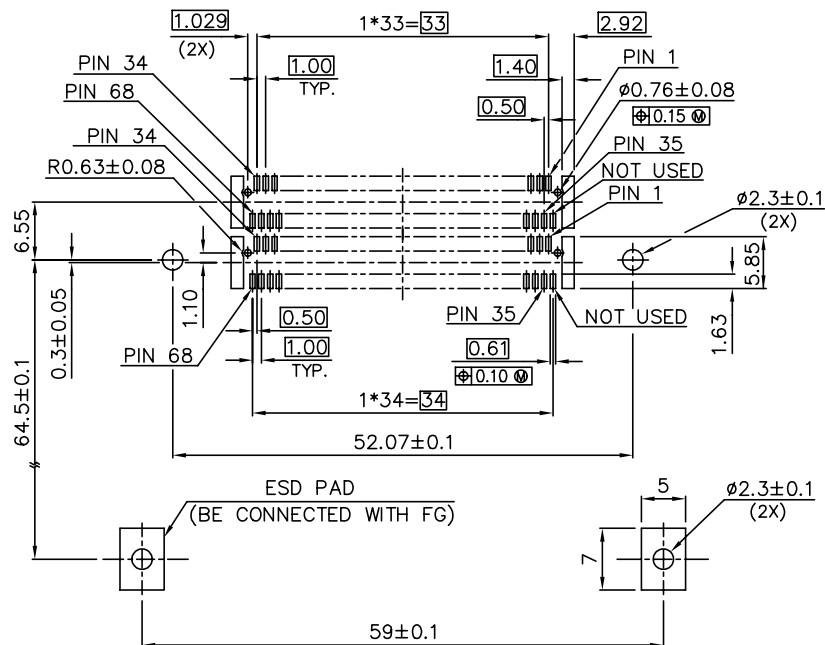
RECOMMENDED P.C.B. LAYOUT 5-2 (MOUNTED SIDE)

mat'l. code		surface		tolerance		projection		product family	
		ISD 1302		ISD 406 ISD 1181				EJECTOR HEADER ASS'Y	
ltr ecn no dr date		tolerances unless otherwise specified		title		scale 1:4:1		68POS. SMT TYP 1/2/3	
J		angles		linear ± 0.30		MM		EJECTOR HEADER ASS'Y	
		±2'						68POS. SMT TYP 1/2/3	
dr		WENDY CHEN		12/19/95				dwg no 88640 sheet 5 of 6 size A4	
engr		JOSEPH HSIA		12/19/95					
chr		JOSEPH HSIA		12/19/95					
appd		JENN TSAO		12/19/95				type CUSTOMER Drawing	
sheet index		revision sheet							

This document is the property of and embodies CONFIDENTIAL and PROPRIETARY information of FCI. No part of this information shown on this document may be used in any way or disclosed to others without the written consent of FCI. Copyright FCI.

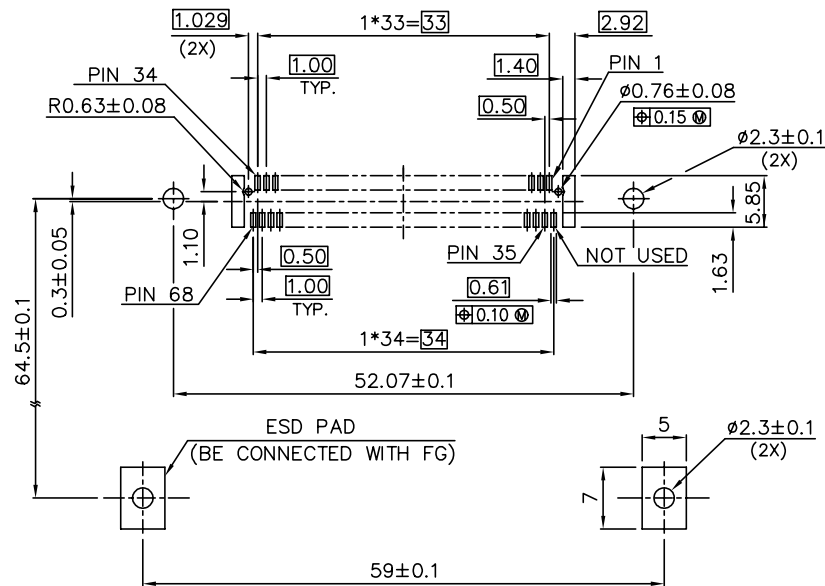
USED FOR 88640-143 WITH 88640-145
 USED FOR 88640-150 WITH 88640-155

USED FOR 88640-143LF WITH 88640-145LF
 USED FOR 88640-150LF WITH 88640-155LF



RECOMMENDED P.C.B. LAYOUT 6-1 (MOUNTED SIDE)

USED FOR 88640-143
 USED FOR 88640-150
 USED FOR 88640-143LF
 USED FOR 88640-150LF



RECOMMENDED P.C.B. LAYOUT 6-2 (MOUNTED SIDE)

mat'l. code	surface	tolerance	projection	product family
	ISO 1302	ISO 406 ISO 1101	1:1	
tr	ecn	no	dr	date
J				
tolerances unless otherwise specified				title
angles				linear ± 0.30
±2'				MM
				scale 1.5 : 1
dr	WENDY CHEN	12/19/95		dwg no
enr	JOSEPH HSIA	12/19/95		sheet 6 of 6
chr	JOSEPH HSIA	12/19/95		size
app	JENN TSAO	12/19/95		A4
				type CUSTOMER Drawing
sheet index	revision sheet			

FCI CONFIDENTIAL

FCI

This document is the property of and embodies CONFIDENTIAL and PROPRIETARY information of FCI. No part of this information shown on this document may be used in any way or disclosed to others without the written consent of FCI.
 Copyright FCI.