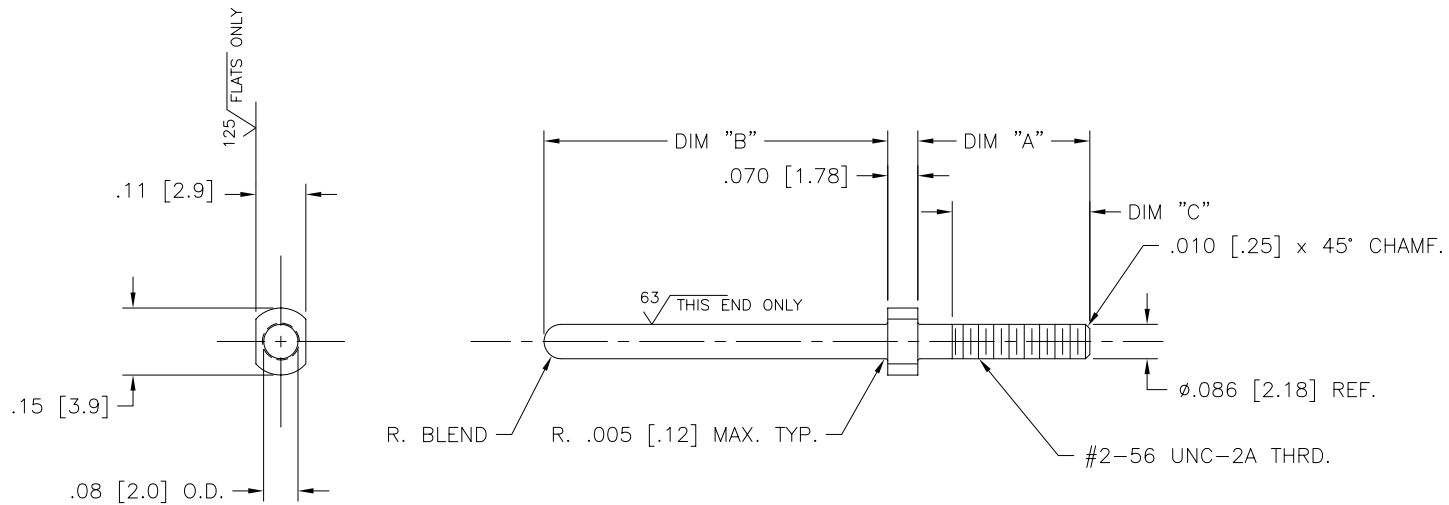


PRODUCT NO. NOTE 8	DIM "A"	DIM "B"	MATERIAL	DIM "C"*	SHEET NO.	APPLICATION NOTES
77031-102 77031-102LF	.37/9.5	.585/14.86	STAINLESS STEEL AISI 430 or 416	.320/8.13	SEE SHT. 2	3
77031-103 77031-103LF	.50/12.7	.585/14.86		.320/8.13	SEE SHT. 3	4
77031-106 77031-106LF	.43/10.9	.585/14.86		.320/8.13	SEE SHT. 4	5
77031-113 77031-113LF	.75/19.1	.585/14.86		.320/8.13	SEE SHT. 5	6 AND 7

* MINIMUM THREAD LENGTH

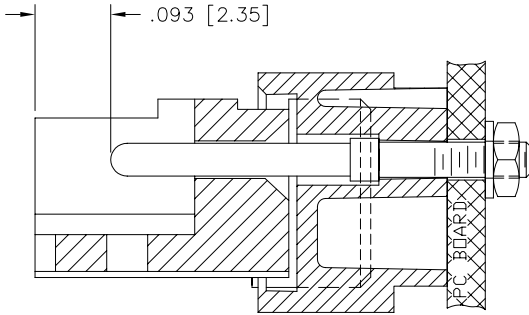
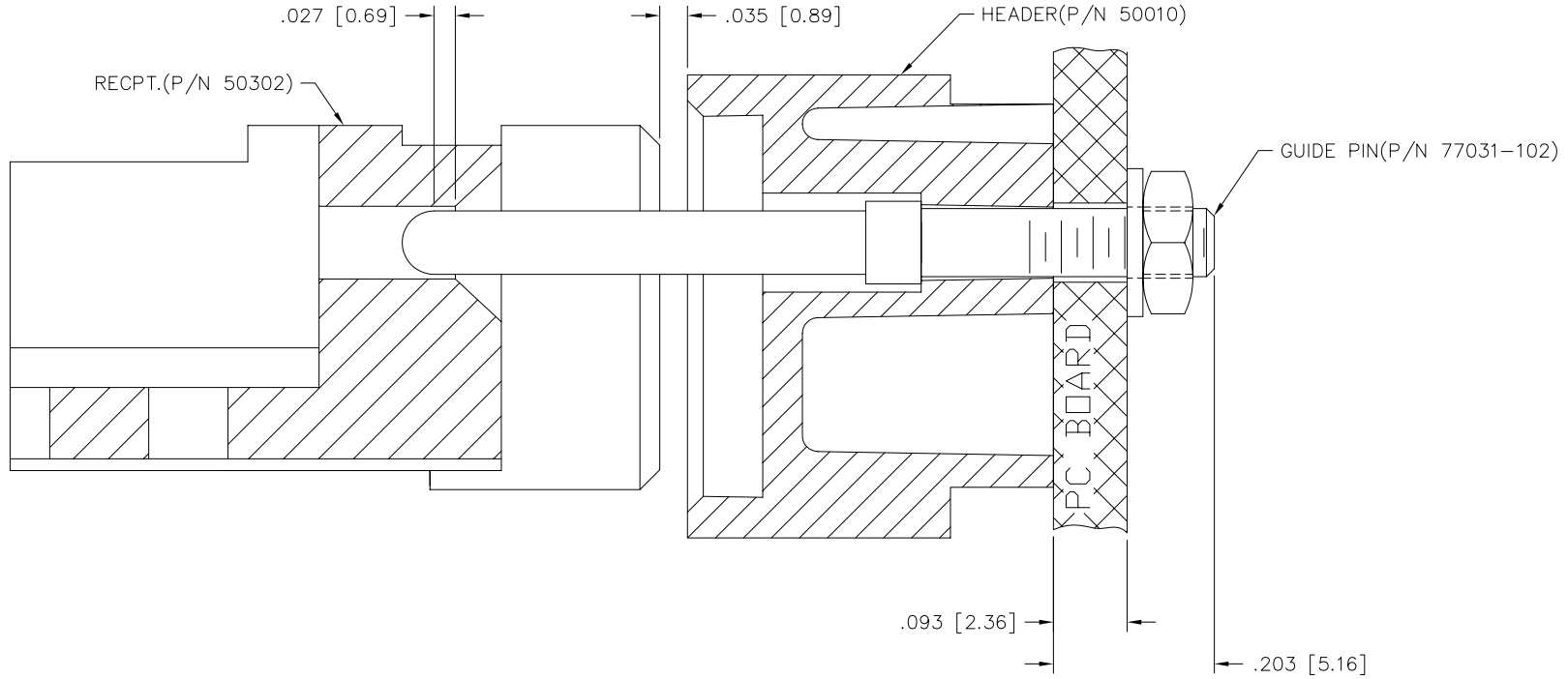


NOTES:

- MECHANICAL GUIDANCE ONLY.
- GUIDE PIN IS $.027$ [.68] LONGER THAN WHAT IS REQUIRED TO ALIGN CONNECTORS WHEN HOUSING FACES ARE $.035$ [.88] APART.
- SHROUD CAN'T BE USED WITH THIS GUIDE PIN.
- GUIDE PIN MAY BE USED WITH A SHROUD OR SCREWED TO A $.187$ [4.74] PCB.
- GUIDE PIN MAY BE USED WITH...
... SHROUD AND $.125$ [3.17] PCB.
... NUT, WASHER, AND $.125$ [3.17] PCB.
- GUIDE PIN MAY USE SHROUD OR SCREW.
APPLICATION MAY USE MOUNTING FRAME.
- MAXIMUM STACK IS $.480$ [12.20].
- ADD AN LF SUFFIX TO PART NUMBERS FOR PRODUCT THAT MEETS EUROPEAN UNION DIRECTIVES AND OTHER COUNTRY REGULATIONS AS DESCRIBED IN GS-22-008.
- THIS PRODUCT IS NOT INTENDED TO BE EXPOSED TO MANUFACTURING SOLDER PROCESSES.

mat'l. code		surface		tolerance		projection		product family	
SEE TABLE		ISO 1302		ISO 406		ISO 1101		HPC	
ltr	ecm	no	dr	date	tolerances unless otherwise specified		title		
D	V20385	MRC		3/27/92	angles	.XX±.01/.3	INCH/MM		
E	V32128	GIP		11/18/93	linear	.xxx±.005/.13	CENTER GUIDE PIN		
F	v00717	LSS		3/22/00	0'±2'	.xxx±.0020/.05	scale 1:1		
G	v05-0964	HTB		10/18/05	dr	LSANDERS	3/22/00	dwg no	
H	M06-0260	MHT		7/07/06	enr	M.GRAY	3/22/00	sheet 1 of 5	
					chr	M.GRAY	3/22/00	size	
					appd	M.GRAY	3/22/00	A3	
sheet	revision	H	H	H	H	H	H	type	
index	sheet	1	2	3	4	5		Product Customer Drawing	

PRODUCT NO.
77031-102

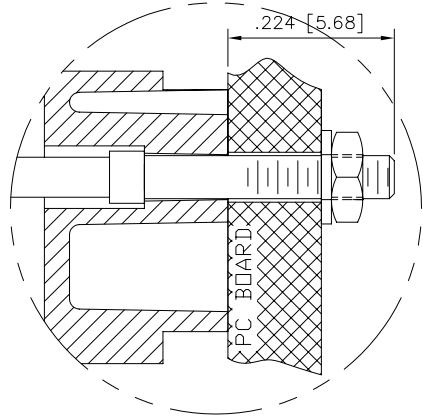
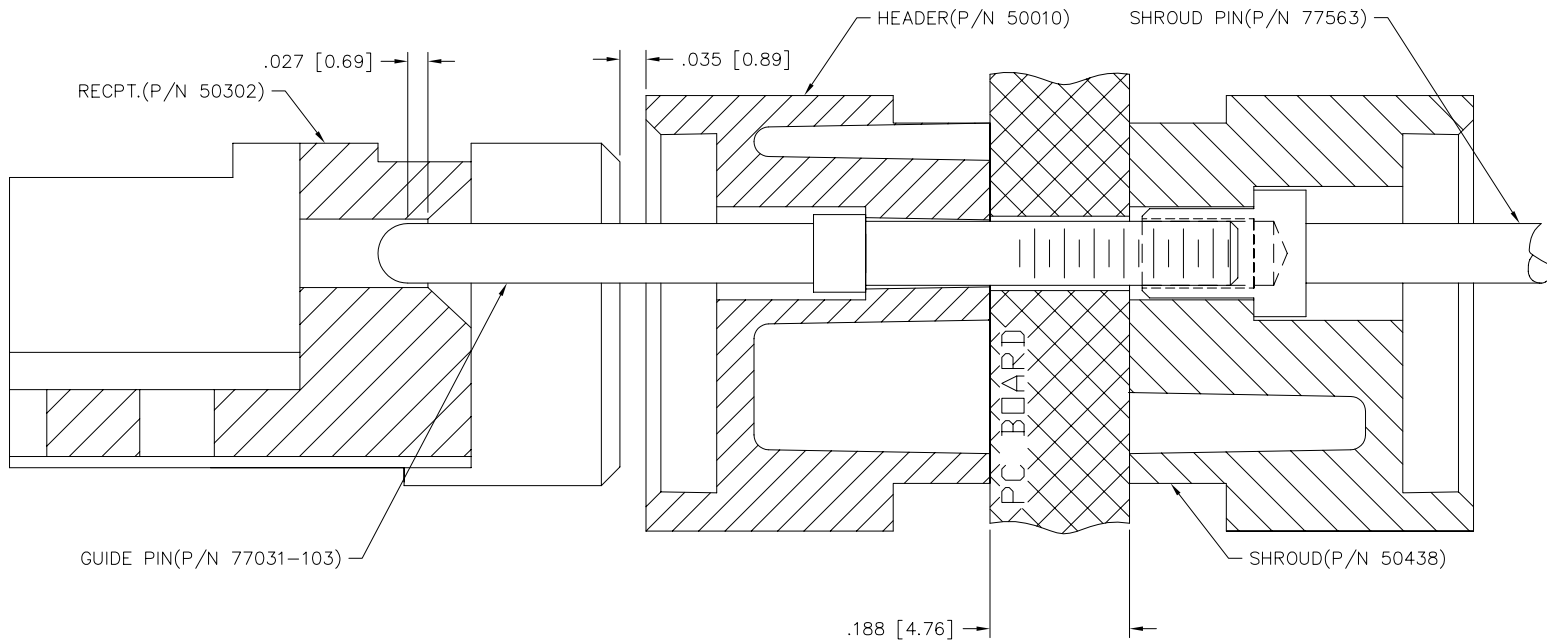


HOUSINGS FULLY MATED
(SCALE 20:1)


mat'l. code SEE TABLE		surface ISO 1302 ✓	tolerance ISO 406 ISO 1101	projection ASME	product family HPC
ltr	ecn	no	dr	date	tolerances unless otherwise specified
H					angles linear 0°±2'
					.XX±.01/.3 .XXX±.005/.13 .XXX±.0020/.051
					dr LSANDERS 3/22/00 enr M.GRAY 3/22/00 chr M.GRAY 3/22/00 appd M.GRAY 3/22/00
sheet	revision				
index	sheet				
				scale 1:1	title CENTER GUIDE PIN
				dwg no 77031	sheet 2 of 5 size A3
				type Product Customer Drawing	

FCJ
FCJconnect.com
Copyright FCJ

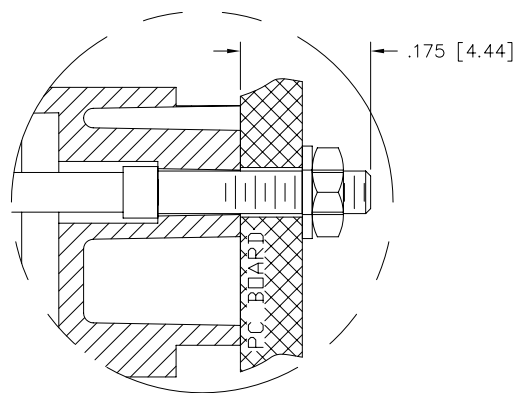
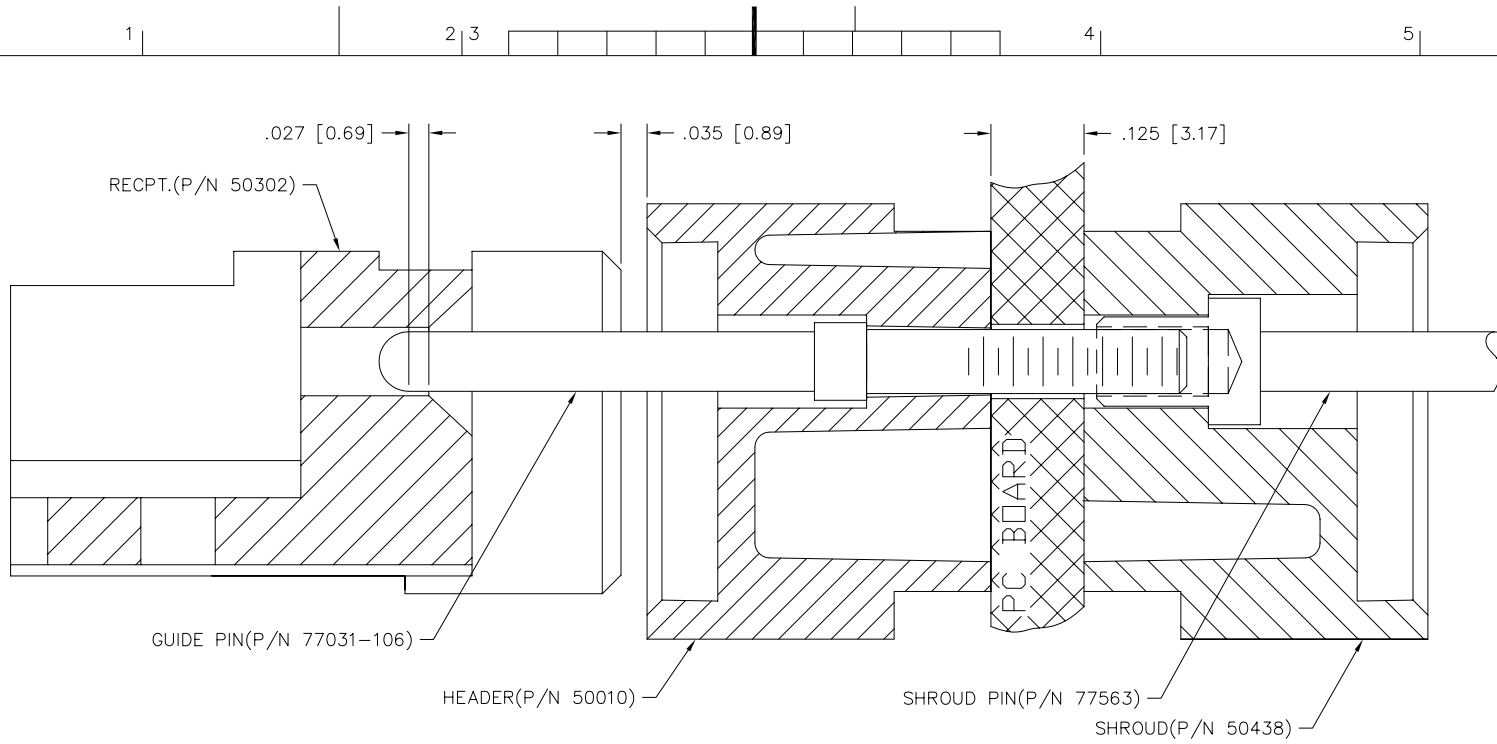
PRODUCT NO
77031-103



BOARD MOUNTED OPTION
(SCALE 30:1)

mat'l. code SEE TABLE		surface ISO 1302 ✓	tolerance ISO 406 ISO 1101	projection ASME Y14.5	product family HPC
ltr	ecm no	dr	date	tolerances unless otherwise specified	title
H				angles linear 0°±2'	INCH/MM CENTER GUIDE PIN
				.xx±.01/.3 .xxx±.005/.13 .xxxx±.0020/.051	scale 1:1
		dr	LSANDERS	3/22/00	
		enr	M.GRAY	3/22/00	
		chr	M.GRAY	3/22/00	
		appd	M.GRAY	3/22/00	
sheet index	revision sheet				dwg no 77031 sheet 3 of 5 size A3 type Product Customer Drawing

PRODUCT NO
77031-106



SCREW MOUNTED OPTION
(SCALE 30:1)

mat'l. code SEE TABLE		surface ISO 1302 ✓	tolerance ISO 406 ISO 1101	projection ASME	product family HPC
ltr	ecn no	dr	date	tolerances unless otherwise specified	title CENTER GUIDE PIN
H				angles linear 0°±2'	INCH/MM
				.XX±.01/.3 .XXX±.005/.13 .XXXX±.0020/.051	scale 1:1
		dr	LSANDERS	3/22/00	
		enr	M.GRAY	3/22/00	
		chr	M.GRAY	3/22/00	
		appd	M.GRAY	3/22/00	
sheet index	revision sheet				dwg no 77031 sheet 4 of 5 size A3 type Product Customer Drawing

Copyright FCI
 FCJ
 FCIconnect.com

PRODUCT NO
77031-113

GUIDE PIN(P/N 77031-113)

HEADER(P/N 50010)

.027 [0.69]

.035 [0.89]

.583 [14.81]
MAX. STACK

RECPT.(P/N 50302)

PC BOARD

MOUNTING
FRAME



Copyright FCI

mat'l. code SEE TABLE		surface ISO 1302 ✓	tolerance ISO 406 ISO 1101	projection ⊕	product family HPC
ltr	ecn no	dr	date	tolerances unless otherwise specified	title
H				angles linear 0°±2'	INCH/MM CENTER GUIDE PIN
				.xx±.01/.3 .xxx±.005/.13 .xxxx±.0020/.05	scale 1:1
		dr	LSANDERS	3/22/00	
		enr	M.GRAY	3/22/00	
		chr	M.GRAY	3/22/00	
		appd	M.GRAY	3/22/00	
sheet index	revision sheet				dwg no 77031 sheet 5 of 5 size A3 type Product Customer Drawing

form: A3