

DESCRIPTION: ABOVE AND BELOW P.C.B., DECK IS AS VIEWED BY USER.

| PRODUCT NO. 72305-XXX | STAND-OFF HEIGHT DIM L | (A) HEADER ASSY 71249-XXXX | (B) MECHANISM ASSY 72304/92791-XXX | (C) MATING RECEPTACLE | MOUNTING STYLE TO PCB |
|--------------------------|------------------------------|----------------------------------|--|--|--------------------------|
| 000 | 0.0 | 0000 | 72304-000 | 100 POSITION (2x50) 0.8mm RECEPTACLE PART NO. 73277-101000 ORDER SEPARATELY | |
| 020 | 2.2 | 0022 | 72304-022 | | |
| 040 | 4.3 | 0043 | 72304-043 | | |
| 050 | 5.0 | 0050 | 72304-050 | | |
| 005 | 0.0 | 0500 | 72304-000 | | |
| 025 | 0.0 | 0522 | 72304-000 | | |
| 045 | 0.0 | 0543 | 72304-000 | | |
| 055 | 0.0 | 0550 | 72304-000 | | |
| 520 | 2.2 | 5022 | 92791-022S | | |
| 540 | 4.3 | 5043 | 92791-043S | | |
| 550 | 5.0 | 5050 | △ 92791-052 | | |
| 525 | 0.0 | 5522 | 92791-001S | | |
| 545 | 0.0 | 5543 | 92791-001S | | |
| 555 | 0.0 | 5550 | 92791-001S | | |

NOTE:

- 1. SEE 72306 FOR DOUBLE DECK ASSEMBLY

ORDERING INFORMATION

ORDER:

- 1. EJECT HEADER ASSY (72305-XXX)
- 2. MATING RECEPTACLE (73277-101000)

| | | | | | | | | | |
|--------------------|--------------|---------------------------------------|----------|------------------|-----------|------------|---|--|---|
| mat'l. code | | surface | | tolerance | | projection | | product family | |
| | | ISO 1302 | | ISO 406 ISO 1181 | | 1:1 | | CARDBUS | |
| ltr ecn no dr date | | tolerances unless otherwise specified | | angles | | linear | | title | |
| E | V02257 | TFG | 11/3/00 | | | | | CARDBUS SINGLE DECK ASS'Y SMT TYPE 123 | |
| F | N05-0074 | WB | 03/14/05 | | | | | scale | |
| G | N06-0012 | MZ | 01/16'06 | ±2' | | | | dwg no sheet 1 of 1 size | |
| H | N06-0129 | M.Z | 05/11'06 | dr | Mike Zhou | 05/10/06 | | 72305 A4 | |
| J | N07-0109 | DT | 5/7/07 | engr | Mike Zhou | 05/10/06 | | type CUSTOMER Drawing | |
| K | N08-0028 | MZ | 2/25'08 | chr | Mike Zhou | 05/10/06 | | | |
| L | BLX-N-011409 | ZK | 04/07/12 | appa | Qin David | 05/10/06 | | | |
| sheet | revision | L | L | L | L | L | L | L | L |
| index | sheet | 1 | 2 | 3 | 4 | 5 | 6 | 7 | 8 |

FCI CONFIDENTIAL

FCI

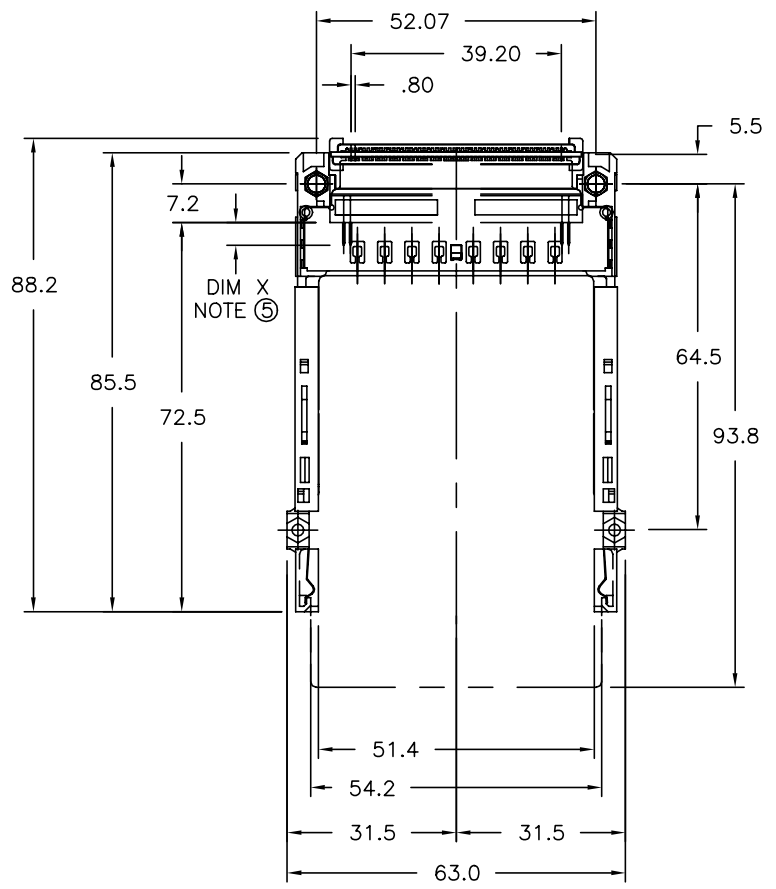
This document is the property of and embodies CONFIDENTIAL and PROPRIETARY information of FCI. No part of this information shown on this document may be used in any way or disclosed to others without the written consent of FCI. Copyright FCI.

FCI CONFIDENTIAL

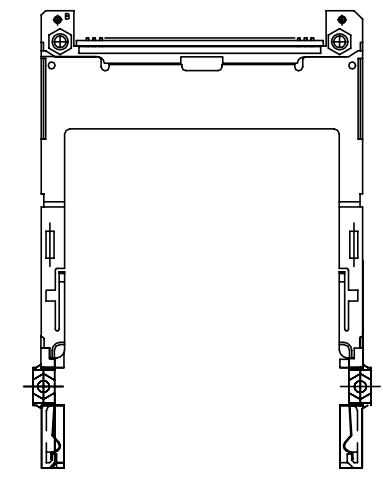
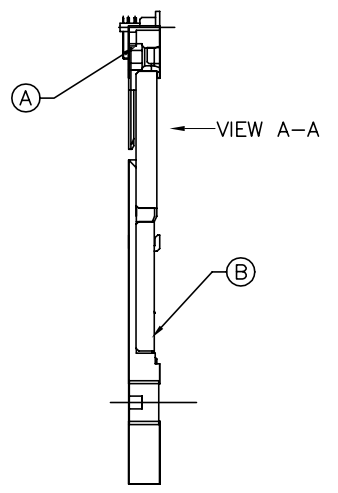
FCI
FCIconnect.com

This document is the property of and embodies CONFIDENTIAL and PROPRIETARY information of FCI. No part of this information shown on this document may be used in any way or disclosed to others without the written consent of FCI.
Copyright FCI.

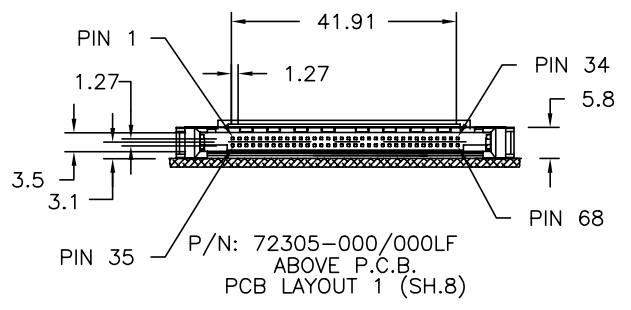
| |
|----------------|
| PRODUCT NUMBER |
| 72305-*** |
| 72305-***LF |



MATING RECEPTACLE SHOWN FOR APPLICATION CLARITY ONLY. MUST BE ORDERED SEPARATELY



VIEW A-A
(APPLIES TO ALL P/NS)



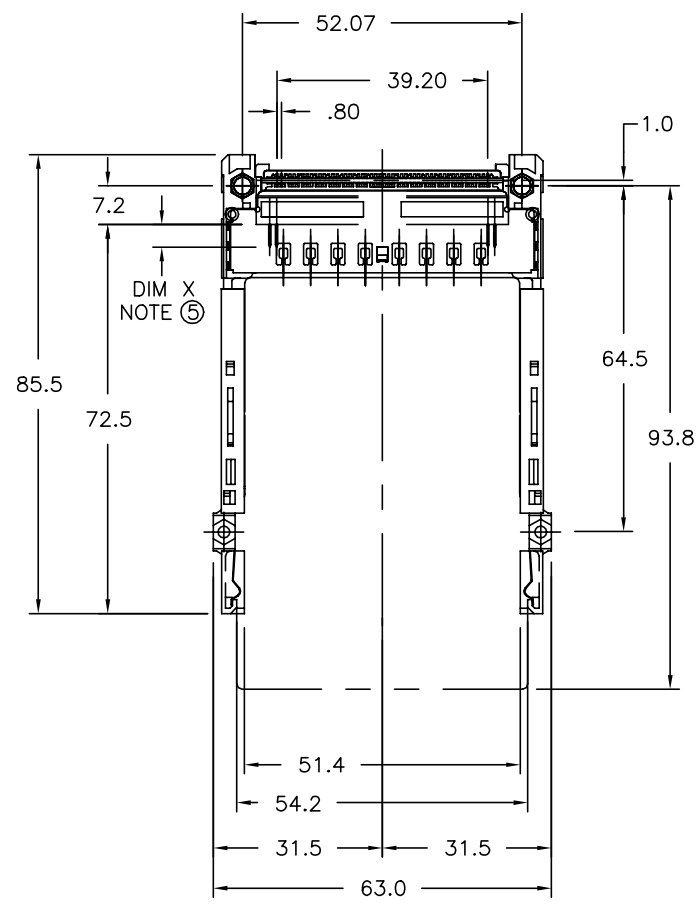
| | | | | | | | | | |
|------------------|--|---------------------------------------|--|--------------------|--|------------|--|--|--|
| mat'l. code | | surface | | tolerance | | projection | | product family | |
| | | ISO 1302 | | ISO 406 ISO 101 | | | | CARDBUS | |
| l/tecn nodr date | | tolerances unless otherwise specified | | | | | | title | |
| L | | angles | | linear | | MM | | CARDBUS SINGLE DECK ASS'Y SMT TYPE 123 | |
| | | ±2' | | | | scale | | dwg no | |
| | | dr | | Mike Zhou 05/10/06 | | | | sheet 3 of 11 | |
| | | enr | | Mike Zhou 05/10/06 | | | | size | |
| | | chr | | Mike Zhou 05/10/06 | | | | A 4 | |
| | | app | | Qin David 05/10/06 | | | | type CUSTOMER Drawing | |
| sheet index | | revision sheet | | | | | | | |

FCI CONFIDENTIAL

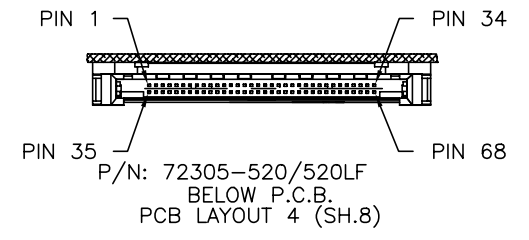
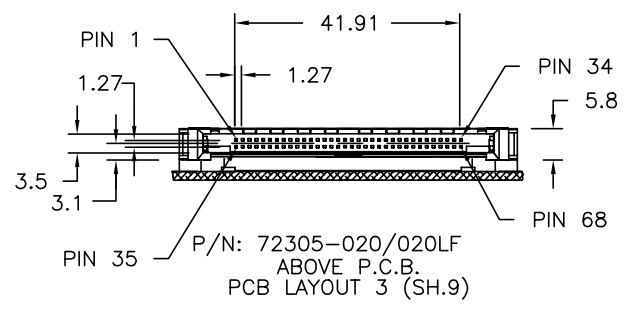
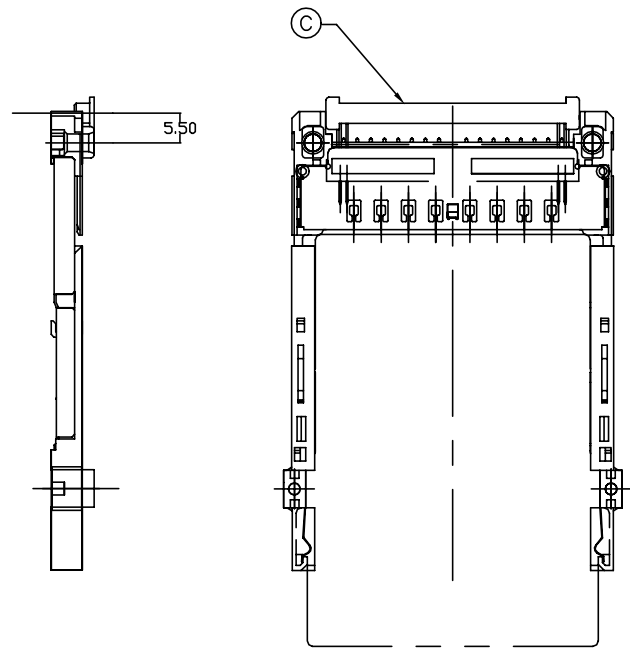
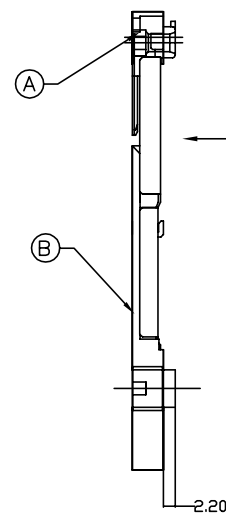
FCI
FCIconnect.com

This document is the property of and embodies CONFIDENTIAL and PROPRIETARY information of FCI. No part of the information shown on this document may be used in any way or disclosed to others without the written consent of FCI.
Copyright FCI.

| |
|----------------|
| PRODUCT NUMBER |
| 72305-*** |
| 72305-***LF |



MATING RECEPTACLE SHOWN FOR APPLICATION CLARITY ONLY. MUST BE ORDERED SEPARATELY



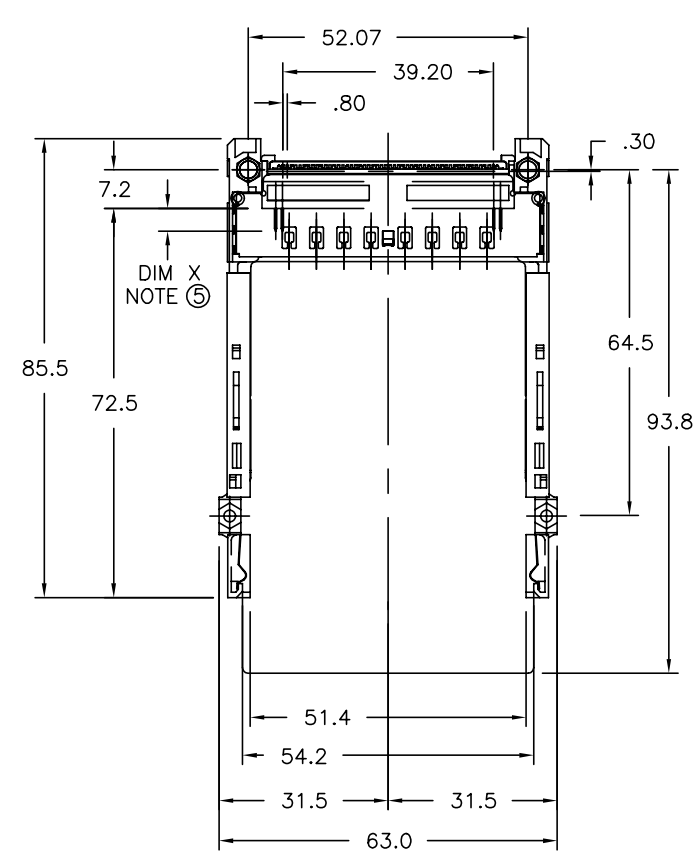
| | | | | |
|--------------------|---------------------------------------|-------------------------------|------------------|---|
| mat'l. code | surface ISO 1302 | tolerance ISO 406 ISO 1101 | projection MM | product family CARDBUS |
| ltr ecn no dr date | tolerances unless otherwise specified | | | title CARDBUS SINGLE DECK ASS'Y SMT TYPE 123 |
| L | angles | linear | MM | scale |
| | ±2' | | | |
| dr | Mike Zhou | 05/10/06 | FCI | dwg no |
| enr | Mike Zhou | 05/10/06 | | 72305 |
| chr | Mike Zhou | 05/10/06 | | 72305 |
| app | Qin David | 05/10/06 | | 72305 |
| sheet index | revision sheet | | | type CUSTOMER Drawing |

FCI CONFIDENTIAL

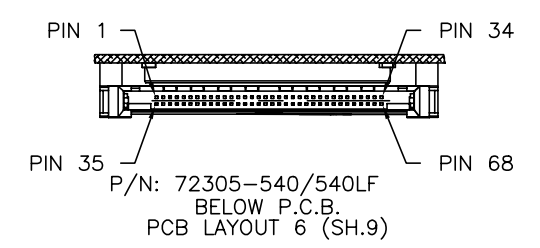
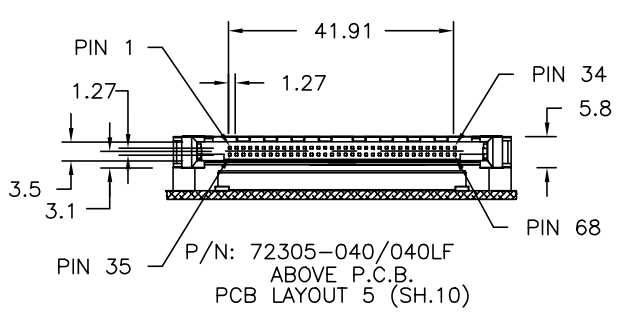
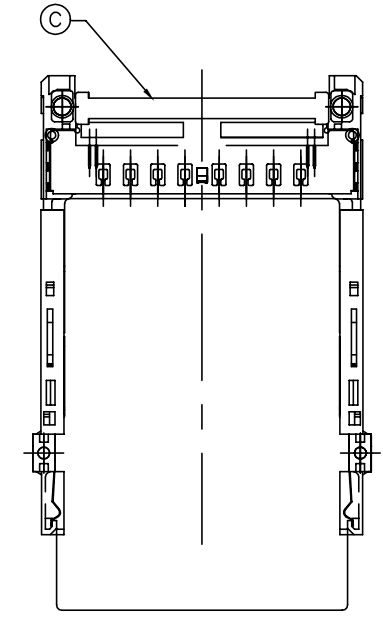
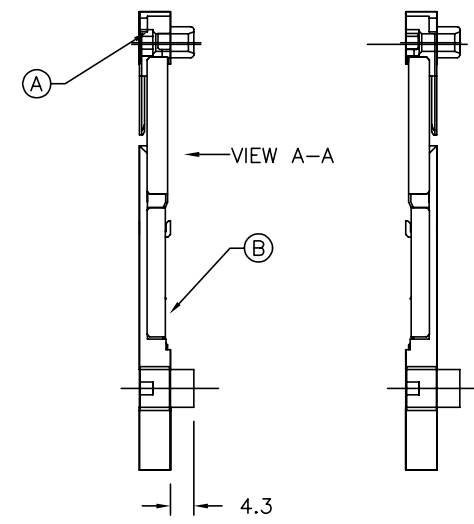
FCI
FCIconnect.com

This document is the property of and embodies CONFIDENTIAL and PROPRIETARY information of FCI. No part of this information shown on this document may be used in any way or disclosed to others without the written consent of FCI.
Copyright FCI.

| |
|----------------|
| PRODUCT NUMBER |
| 72305-*** |
| 72305-***LF |



MATING RECEPTACLE SHOWN FOR APPLICATION CLARITY ONLY. MUST BE ORDERED SEPARATELY



| | | | | |
|--------------------|---------------------------------------|------------------------------|------------------|--|
| mat'l. code | surface ISO 1302 | tolerance ISO 406 ISO 101 | projection MM | product family CARDBUS |
| ltr ecn no dr date | tolerances unless otherwise specified | | | title |
| L | angles ±2' | linear | MM | CARDBUS SINGLE DECK ASS'Y SMT TYPE 123 |
| | dr | Mike Zhou | 05/10/06 | dwg no |
| | enr | Mike Zhou | 05/10/06 | sheet 5 of 11 |
| | chr | Mike Zhou | 05/10/06 | 72305 |
| | app | Qin David | 05/10/06 | A 4 |
| | | | | type CUSTOMER Drawing |

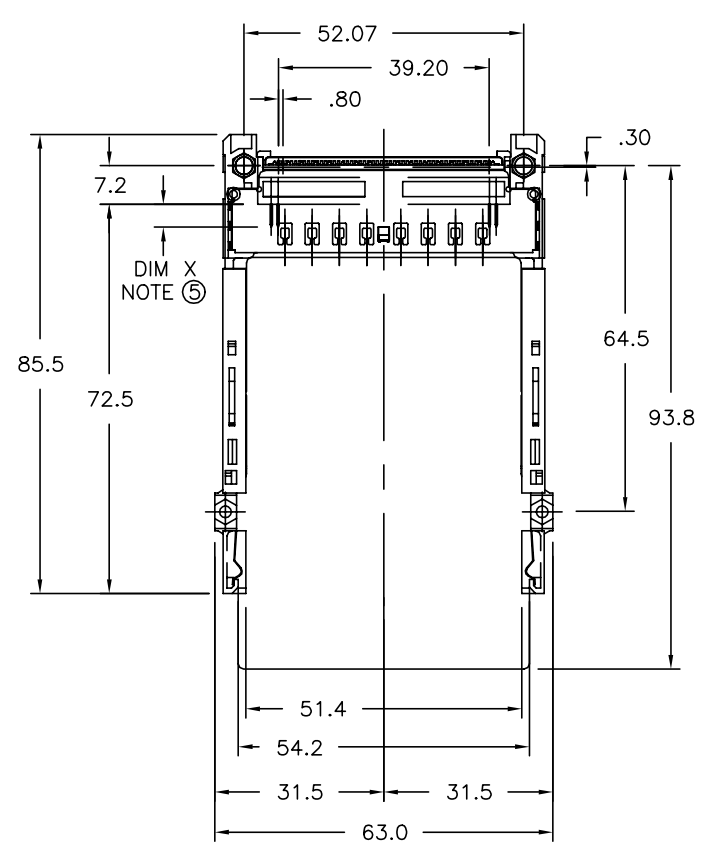
| | | | | | | | | | | | | | | | | | | | | |
|-------------|----------------|--|--|--|--|--|--|--|--|--|--|--|--|--|--|--|--|--|--|--|
| sheet index | revision sheet | | | | | | | | | | | | | | | | | | | |
|-------------|----------------|--|--|--|--|--|--|--|--|--|--|--|--|--|--|--|--|--|--|--|

FCI CONFIDENTIAL

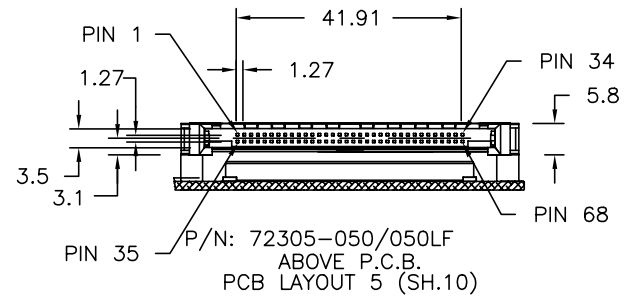
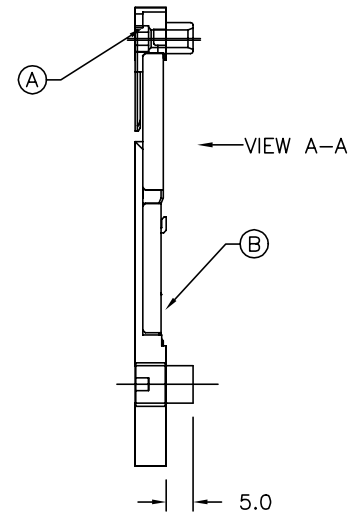
FCI
FCIconnect.com

This document is the property of and embodies CONFIDENTIAL and PROPRIETARY information of FCI. No part of this information shown on this document may be used in any way or disclosed to others without the written consent of FCI.
Copyright FCI.

| |
|----------------|
| PRODUCT NUMBER |
| 72305-*** |
| 72305-***LF |



MATING RECEPTACLE SHOWN FOR APPLICATION CLARITY ONLY. MUST BE ORDERED SEPARATELY



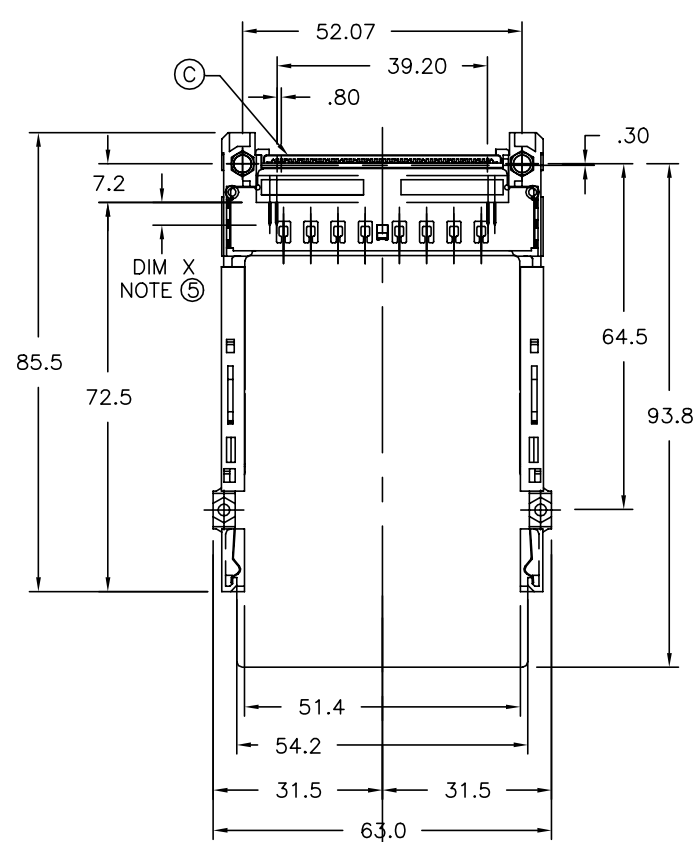
| | | | | | | | | | |
|--------------------|--|---------------------------------------|--|-----------------|--|------------|--|--|--|
| mat'l. code | | surface | | tolerance | | projection | | product family | |
| | | ISO 1302 | | ISO 406 ISO 101 | | | | CARDBUS | |
| ltr ecn no dr date | | tolerances unless otherwise specified | | title | | | | | |
| L | | angles | | linear | | | | CARDBUS SINGLE DECK ASS'Y SMT TYPE 123 | |
| | | ±2' | | | | scale 4 | | | |
| | | dr | | Mike Zhou | | 05/10/06 | | dwg no | |
| | | engr | | Mike Zhou | | 05/10/06 | | sheet 6 of 11 | |
| | | chr | | Mike Zhou | | 05/10/06 | | 72305 | |
| | | appa | | Qin David | | 05/10/06 | | A 4 | |
| | | | | | | | | type CUSTOMER Drawing | |
| sheet index | | revision sheet | | | | | | | |

FCI CONFIDENTIAL

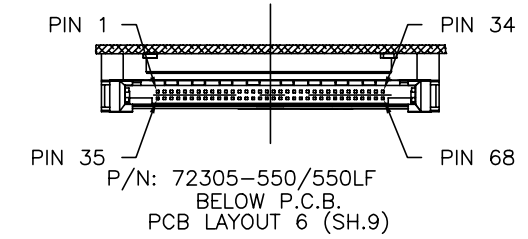
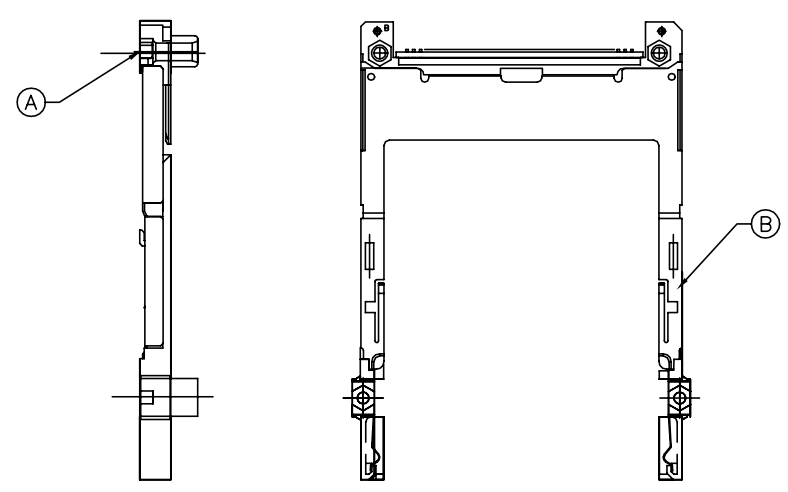
FCI
FCIconnect.com

This document is the property of and embodies CONFIDENTIAL and PROPRIETARY information of FCI. No part of this information shown on this document may be used in any way or disclosed to others without the written consent of FCI.
Copyright FCI.

| |
|----------------|
| PRODUCT NUMBER |
| 72305-*** |
| 72305-***LF |

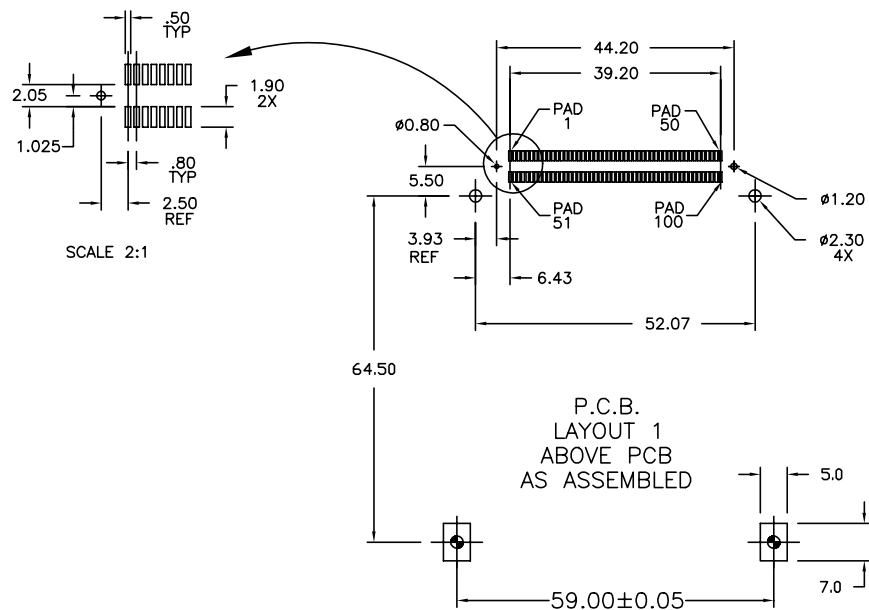


MATING RECEPTACLE SHOWN FOR APPLICATION CLARITY ONLY. MUST BE ORDERED SEPARATELY.



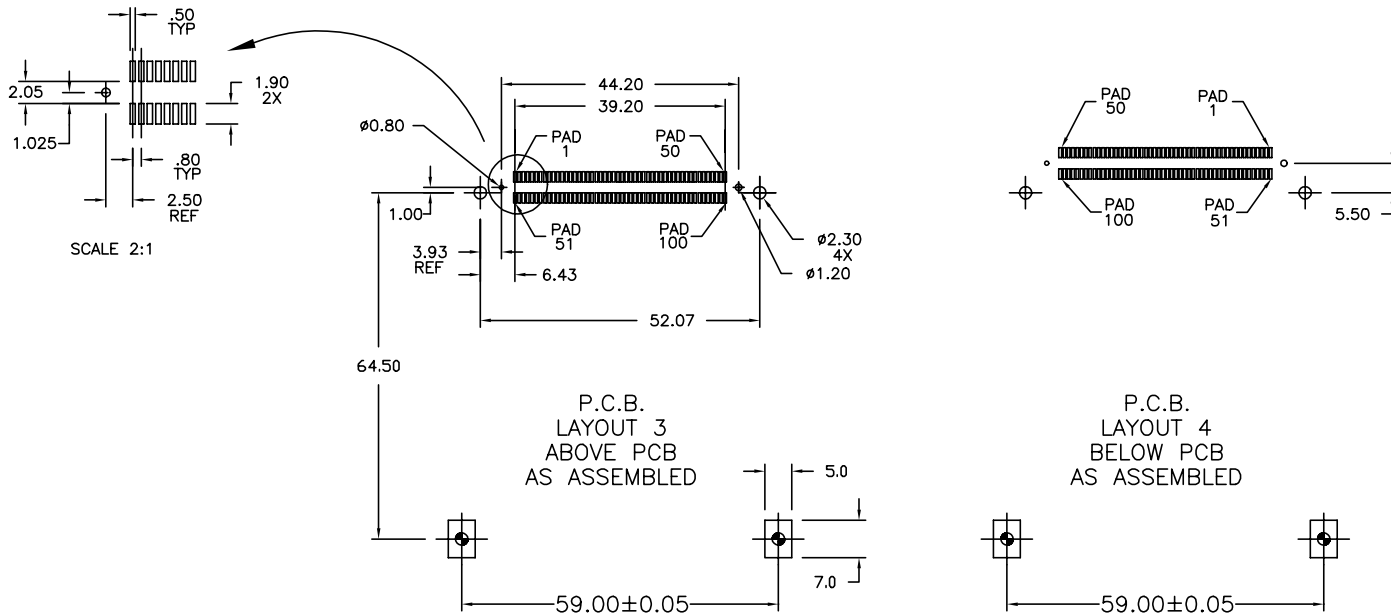
| | | | | | | | | | |
|--------------------|--|---------------------------------------|--|-----------------|--|------------|--|--|--|
| mat'l. code | | surface | | tolerance | | projection | | product family | |
| | | ISO 1302 | | ISO 406 ISO 101 | | | | CARDBUS | |
| ltr ecn no dr date | | tolerances unless otherwise specified | | | | | | | |
| L | | angles | | linear | | | | CARDBUS SINGLE DECK ASS'Y SMT TYPE 123 | |
| | | ±2° | | | | MM | | dwg no sheet 7 of 11 size | |
| | | dr | | Mike Zhou | | 05/10/06 | | 72305 A 4 | |
| | | engr | | Mike Zhou | | 05/10/06 | | type CUSTOMER Drawing | |
| | | chr | | Mike Zhou | | 05/10/06 | | | |
| | | appd | | Qin David | | 05/10/06 | | | |
| sheet index | | revision sheet | | | | | | | |

P.C.B. LAYOUT FOR 0mm STANDOFF



| | | | | | | | | | |
|-------------|--|----------|--|-----------------|--|--------------------|--|---------------------------------------|--|
| mat'l. code | | surface | | tolerance | | projection | | product family | |
| | | ISO 1302 | | ISO 406 ISO 101 | | | | CARDBUS | |
| ltr | | ecn | | nadr | | date | | title | |
| | | | | | | | | tolerances unless otherwise specified | |
| L | | | | angles | | linear | | | |
| | | | | ±2' | | | | MM | |
| | | | | dr | | Mike Zhou 05/10/06 | | scale 4 | |
| | | | | enr | | Mike Zhou 05/10/06 | | | |
| | | | | chr | | Mike Zhou 05/10/06 | | dwg no | |
| | | | | appa | | Qin David 05/10/06 | | sheet 8 of 11 | |
| | | | | | | | | 72305 | |
| | | | | | | | | A 4 | |
| | | | | | | | | type CUSTOMER | |
| | | | | | | | | Drawing | |
| sheet | | revision | | | | | | | |
| index | | sheet | | | | | | | |

P.C.B. LAYOUT FOR 2.2mm STANDOFF



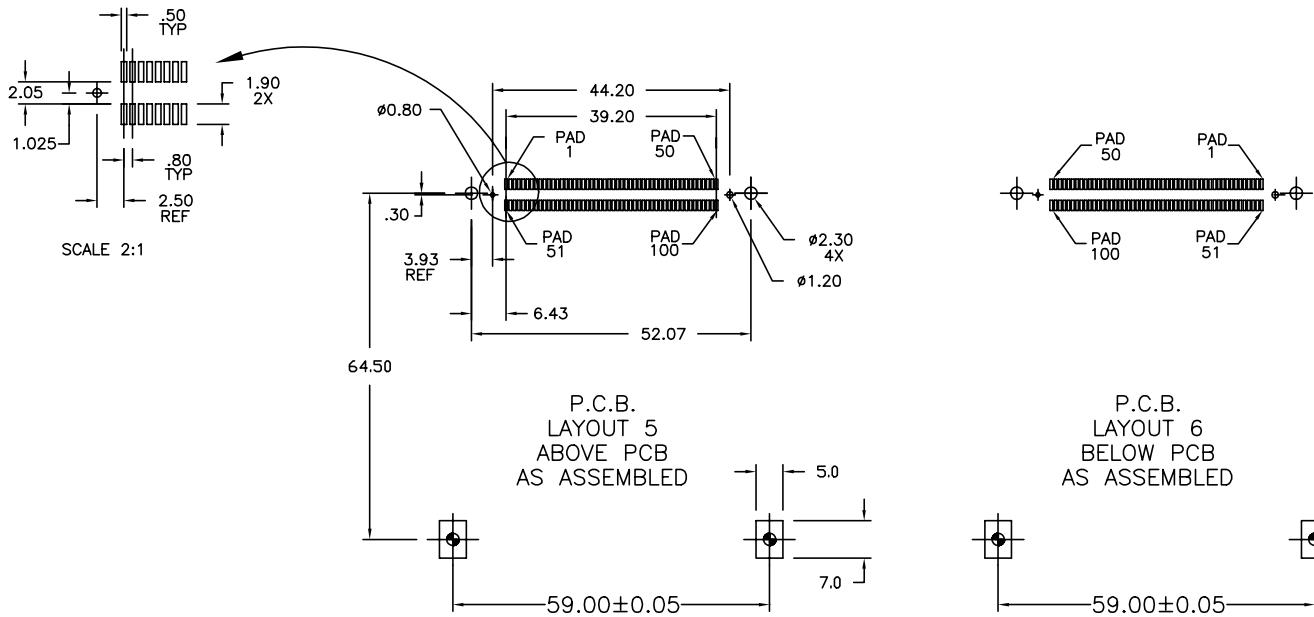
This document is the property of and embodies CONFIDENTIAL and PROPRIETARY information of FCI. No part of this information shown on this document may be used in any way or disclosed to others without the written consent of FCI.
 Copyright FCI.

| | | | | | | | | | |
|--------------------|--|---------------------------------------|--|------------------|--|------------|--|---|--|
| mat'l. code | | surface | | tolerance | | projection | | product family | |
| | | ISO 1302 | | ISO 406 ISO 1101 | | | | CARDBUS | |
| ltr ecn no dr date | | tolerances unless otherwise specified | | | | | | | |
| L | | angles | | linear | | | | CARDBUS SINGLE DECK ASS'Y SMT TYPE 123 | |
| | | ±2° | | | | MM | | scale 4 | |
| | | dr | | Mike Zhou | | 05/10/06 | | dwg no | |
| | | enr | | Mike Zhou | | 05/10/06 | | sheet 9 of 11 | |
| | | chr | | Mike Zhou | | 05/10/06 | | 72305 | |
| | | app | | Qin David | | 05/10/06 | | A 4 | |
| sheet | | revision | | | | | | type CUSTOMER Drawing | |
| index | | sheet | | | | | | | |



FCI CONFIDENTIAL

P.C.B. LAYOUT FOR 4.3 AND 5.0mm STANDOFFS



This document is the property of and embodies CONFIDENTIAL and PROPRIETARY information of FCI. No part of this information shown on this document may be used in any way or disclosed to others without the written consent of FCI. Copyright FCI.



| | | | | | | | | | |
|-------------|--|----------|--|-----------------|--|------------|--|--|--|
| mat'l. code | | surface | | tolerance | | projection | | product family | |
| | | ISO 1302 | | ISO 406 ISO 101 | | | | CARDBUS | |
| ltr | | ecn | | no | | dr | | date | |
| | | | | | | | | | |
| L | | angles | | linear | | MM | | title | |
| | | ±2° | | | | scale 4 | | CARDBUS SINGLE DECK ASS'Y SMT TYPE 123 | |
| | | dr | | Mike Zhou | | 05/10/06 | | dwg no | |
| | | engr | | Mike Zhou | | 05/10/06 | | sheet: 1 of 1 | |
| | | chr | | Mike Zhou | | 05/10/06 | | 72305 | |
| | | appa | | Qin David | | 05/10/06 | | A 4 | |
| sheet | | revision | | | | | | type | |
| index | | sheet | | | | | | CUSTOMER Drawing | |

FCI CONFIDENTIAL

FCI
fciconnect.com

This document is the property of and embodies CONFIDENTIAL and PROPRIETARY information of FCI. No part of this information shown on this document may be used in any way or disclosed to others without the written consent of FCI.
Copyright FCI.

| HEADER PINOUT | TYPE | BTB 100 POS RECEPTACLE | HEADER PINOUT | TYPE | BTB 100 POS RECEPTACLE | SHIELD PINOUT | TYPE | BTB 100 POS RECEPTACLE |
|---------------|------|------------------------|---------------|------|------------------------|---------------|------|------------------------|
| 1 | GND | 1 | 35 | GND | 51 | 1 | GND | 4 & 54 |
| 2 | SIG | 2 | 36 | DET | 52 | 2 | GND | 7 & 57 |
| 3 | SIG | 3 | 37 | SIG | 53 | 3 | GND | 10 & 60 |
| 4 | SIG | 5 | 38 | SIG | 55 | 4 | GND | 13 & 63 |
| 5 | SIG | 6 | 39 | SIG | 56 | 5 | GND | 16 & 66 |
| 6 | SIG | 8 | 40 | SIG | 58 | 6 | GND | 19 & 69 |
| 7 | SIG | 9 | 41 | SIG | 59 | 7 | GND | 22 & 72 |
| 8 | SIG | 11 | 42 | SIG | 61 | 8 | GND | 25 & 75 |
| 9 | SIG | 12 | 43 | SIG | 62 | 9 | GND | 26 & 76 |
| 10 | SIG | 14 | 44 | SIG | 64 | 10 | GND | 29 & 79 |
| 11 | SIG | 15 | 45 | SIG | 65 | 11 | GND | 32 & 82 |
| 12 | SIG | 17 | 46 | SIG | 67 | 12 | GND | 35 & 85 |
| 13 | SIG | 18 | 47 | SIG | 68 | 13 | GND | 38 & 88 |
| 14 | SIG | 20 | 48 | SIG | 70 | 14 | GND | 41 & 91 |
| 15 | SIG | 21 | 49 | SIG | 71 | 15 | GND | 44 & 94 |
| 16 | SIG | 23 | 50 | SIG | 73 | 16 | GND | 47 & 97 |
| 17 | PWR | 24 | 51 | PWR | 74 | | | |
| 18 | SIG | 27 | 52 | SIG | 77 | | | |
| 19 | SIG | 28 | 53 | SIG | 78 | | | |
| 20 | SIG | 30 | 54 | SIG | 80 | | | |
| 21 | SIG | 31 | 55 | SIG | 81 | | | |
| 22 | SIG | 33 | 56 | SIG | 83 | | | |
| 23 | SIG | 34 | 57 | SIG | 84 | | | |
| 24 | SIG | 36 | 58 | SIG | 86 | | | |
| 25 | SIG | 37 | 59 | SIG | 87 | | | |
| 26 | SIG | 39 | 60 | SIG | 89 | | | |
| 27 | SIG | 40 | 61 | SIG | 90 | | | |
| 28 | SIG | 42 | 62 | SIG | 92 | | | |
| 29 | SIG | 43 | 63 | SIG | 93 | | | |
| 30 | SIG | 45 | 64 | SIG | 95 | | | |
| 31 | SIG | 46 | 65 | SIG | 96 | | | |
| 32 | SIG | 48 | 66 | SIG | 98 | | | |
| 33 | SIG | 49 | 67 | DET | 99 | | | |
| 34 | GND | 50 | 68 | GND | 100 | | | |

NOTES:

- ORDER MATING RECEPTACLE SEPARATELY.
- RECOMMENDED SCREW TORQUE: 1.0 TO 1.5 MAX in-lbs. (1.2-1.7 cm-kgs).
RECOMMENDED HOLD-DOWN - 2mm SCREWS (95121) AND HEX NUTS (92869).
- MATERIAL:
 - 3.1 HEADER ASSY:
PLASTIC HOUSING: HIGH TEMPERATURE THERMOPLASTIC UL94V-0 BLACK - ABOVE PCB
HIGH TEMPERATURE THERMOPLASTIC UL94V-0 BLACK - BELOW PCB
PIN: PHOSPHOR BRONZE
PCB: FR4
 - 3.2 MECHANISM ASSY:
PLASTIC GUIDE: HIGH TEMPERATURE THERMOPLASTIC UL94V-0 BLACK
COVER PLATE: STAINLESS STEEL
EMI CONTACT: PHOSPHOR BRONZE
 - 3.3 .8 BTB RECEPTACLE (73277-101000):
PLASTIC: HIGH TEMPERATURE THERMOPLASTIC UL94V-0 BLACK
CONTACT: BeCu
- FINISH (PIN)
UNDER PLATING: 0.5um Ni
CONTACT AREA: 0.076 μm MIN. GOLD

SOLDER TAIL: 2.5um Sn-Pb FOR TIN LEAD OPTION
2.5um PURE TIN FOR LEAD FREE OPTION
- DIM "X"

| | | |
|----------|---------|------------------|
| 4.25±0.1 | 3.5±0.1 | 5.0±0.1 |
| OTHERS | 36,67 | 1,17,34,35,51,68 |
- IF LEAD FREE P/N.THE HOUSING WILL WITHSTAND EXPOSURE TO 260°C PEAK TEMPERATURE FOR 10 SECONDS IN A WAVE SOLDER APPLICATION WITH A 1.00MM MINIMUM THICK CIRCUIT BOARD.
- IF LEAD FREE P/N.THE PRODUCT MEETS EUROPEAN UNION DIRECTIVES AND OTHER COUNTRY REGULATIONS AS DISCRIBLED IN GS-22-008
- LEAD FREE P/N PACKAGING MEETS GS-14-920 SPECIFICATION
- PRODUCT SPEC:110-263

| | | | | | |
|---------------------------------------|-----------|----------|------------------|------------|---------------------|
| mat'l. code | | surface | tolerance | projection | product family |
| | | ISO 1302 | ISO 406 ISO 1.01 | | CARDBUS |
| l | tr | ec | n | o | d |
| | | | | | |
| tolerances unless otherwise specified | | | | | title |
| angles | | | | | CARDBUS SINGLE DECK |
| linear | | | | | ASS'Y SMT TYPE 123 |
| ±2' | | | | | scale 4 |
| dr | Mike Zhou | 05/10/06 | | | |
| enr | Mike Zhou | 05/10/06 | | | |
| chr | Mike Zhou | 05/10/06 | | | |
| appd | Qin David | 05/10/06 | | | |
| sheet | revision | | | | |
| index | sheet | | | | |