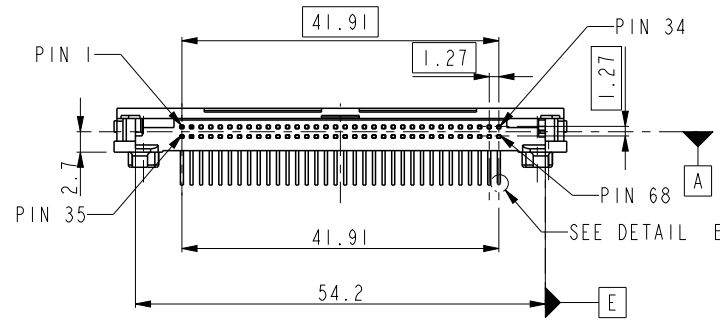
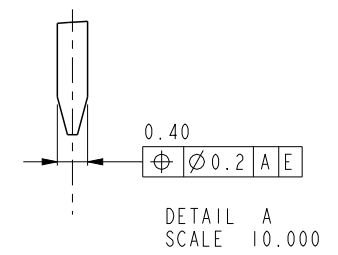
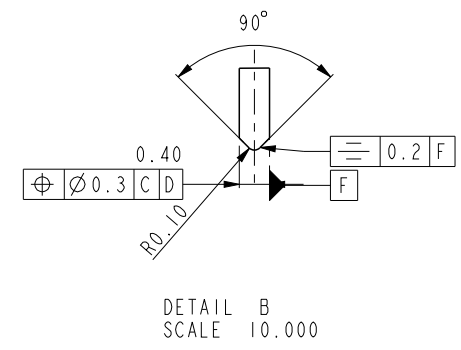
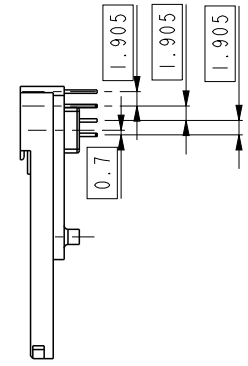
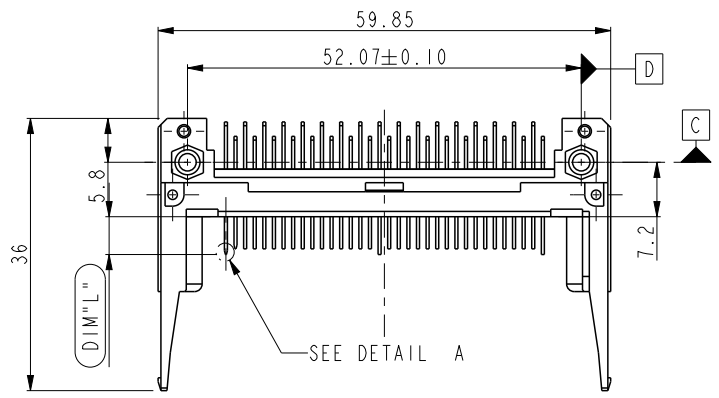
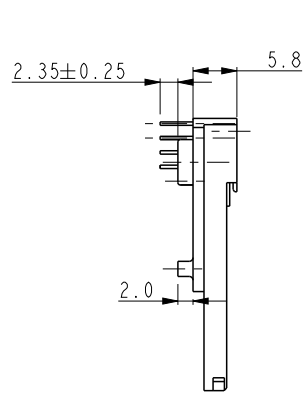


PRODUCT NO.	STAND OFF (MM)	SOLDER TAIL	LOWER OR UPPER DECK	HOLD DOWN	LOCATOR
10119103-040LF	2.0	R/A	LOWER	NONE	NONE



DIM"L"	4.25±0.1	3.5±0.1	5.0±0.1
PIN NO.	OTHERS	36, 37	1, 17, 34, 35, 51, 68

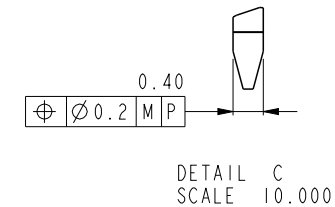
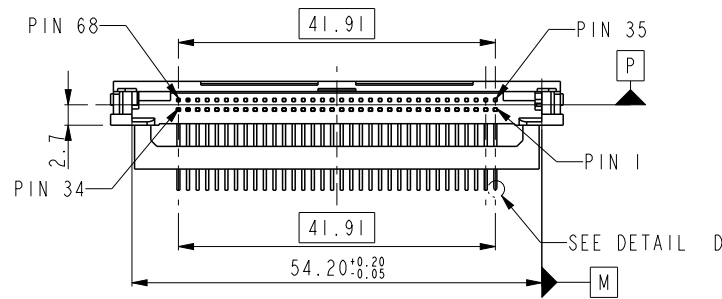
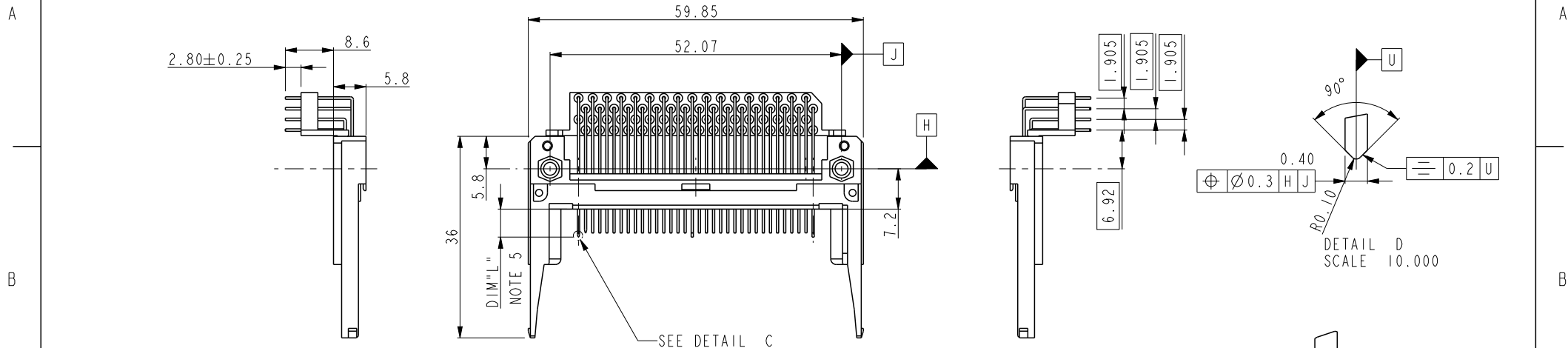


Copyright FCI.

spec ref		dr Su-Hua Miao 2012/05/22		projection		size A4		scale 1.000	
tolerance std ISO1101 ISO406		eng Su-Hua Miao 2012/06/04						ecn no -	
TOLERANCES UNLESS OTHERWISE SPECIFIED		chr -						rel level Released	
surface ISO1302		appr Rick Bian 2012/06/04		product family PCMCIA		-		rev A	
linear		0.X	±0.3			title 68 POS EJECTOR HEADER ASSY FOR 5V APPLICATION		dwg no 10119103	
		0.XX	±0.13						
		0.XXX	±0.05						
angular		0°	±2°	www.fci.com		cat. no. -		Product - Customer Drw	
								sheet 1 of 3	

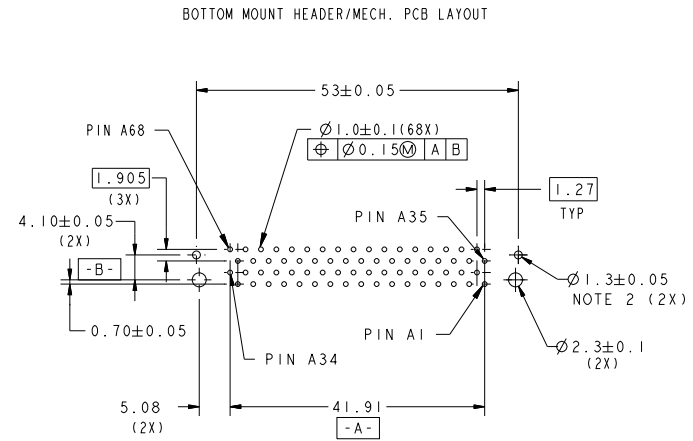
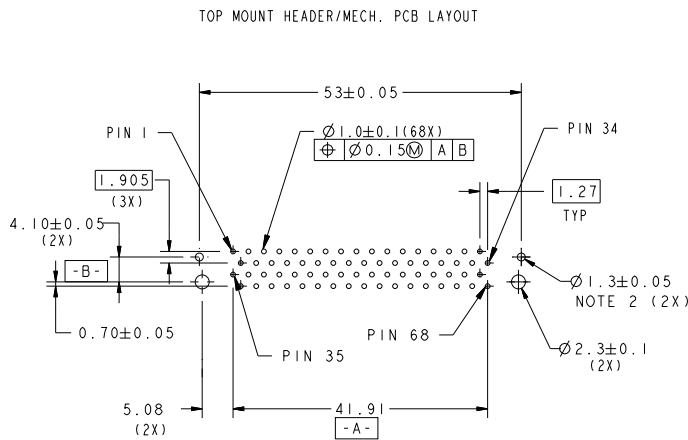
ProE File - REV C - 2009-06-09

PRODUCT NO.	STAND OFF (MM)	SOLDER TAIL	LOWER OR UPPER DECK	HOLD DOWN	LOCATOR
10119103-505LF	0	R/A	UPPER	NONE	YES



DIM"L"	4.25±0.1	3.5±0.1	5.0±0.1
PIN NO.	OTHERS	36,37	1,17,34,35,51,68

spec ref		dr Su-Hua Miao 2012/05/22		projection		size A4		scale 1.000		
tolerance std ISO1101 ISO406		eng Su-Hua Miao 2012/06/04						ecn no -		
TOLERANCES UNLESS OTHERWISE SPECIFIED		chr -						rel level Released		
surface ISO1302		appr Rick Bian 2012/06/04		product family -		rev A		10119103		
linear		0.X ±0.3			title 68 POS EJECTOR HEADER ASSY FOR 5V APPLICATION		www.fci.com		cat. no. - Product - Customer Drw	
		0.XX ±0.13								
		0.XXX ±0.05								
angular		0° ±2°	www.fci.com		Product - Customer Drw		sheet 2 of 3		rev A	



10119103-XXXXLF

- LEAD FREE
- HOLD DOWN NONE: NO  
H: YES
- SOLDER TAIL 0: R/A  
5: R/A
- STAND OFF 0: 0MM  
4: 2MM
- MOUNTING STYLE 0: TOP MOUNTING  
5: BOTTOM MOUNTING

NOTES

1. MATERIAL  
HOUSING: HIGH TEMPERATURE THERMOPLASTIC  
UL94V-0 BLACK  
PIN: COPPER ALLOY  
HOLD DOWN: BRASS
2. FINISH  
PIN  
UNDER PLATING: 0.5um MIN. Ni  
CONTACT AREA: 1.27um MIN. GOLD  
SOLDER AREA: 2.5um MIN. PURE Sn  
HOLD DOWN: 2.5um MIN. PURE Sn
3. THIS PRODUCT MEETS EUROPEAN UNION DIRECTIVES AND OTHER COUNTRY REGULATIONS AS DESCRIBED IN GS-22-008
4. PRODUCT SPEC: 110-263

spec ref		dr	Su-Hua Miao	2012/05/22	projection 	MM ←→	size	A4	scale	1.000
tolerance std ISO1101 ISO406	TOLERANCES UNLESS OTHERWISE SPECIFIED	eng	Su-Hua Miao	2012/06/04			ecn no	-		
		chr	-	-						
surface ISO1302	linear	0.X	±0.3	appr	Rick Bian	2012/06/04	product family	-	rel level	Released
		0.XX	±0.13							
		0.XXX	±0.05	title		68 POS EJECTOR HEADER ASSY		dwg no	10119103	rev
	angular	0°	±2°	www.fci.com		cat. no.				