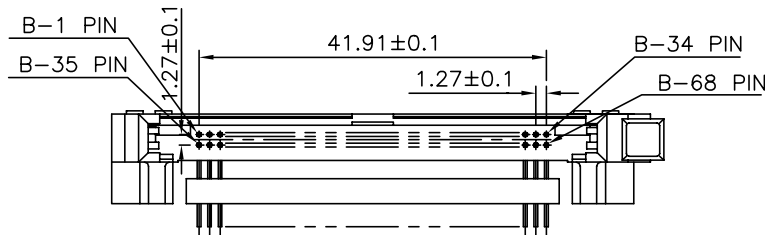
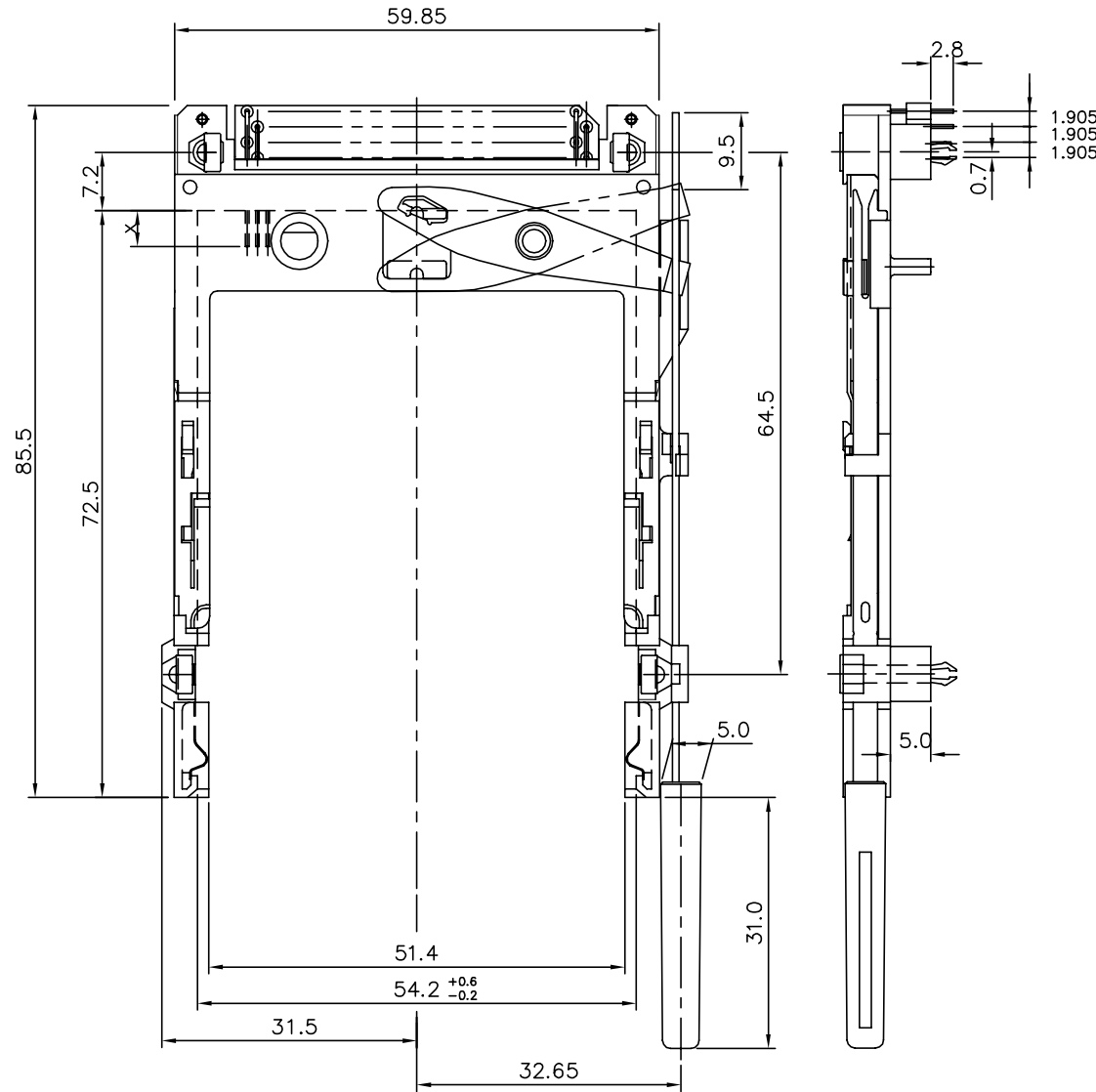


Tous droits strictement réservés. Reproduction ou communication à des tiers sans autorisation écrite du propriétaire.
 Property of BERG ELECTRONICS. Copyright BERG ELECTRONICS BV



All rights strictly reserved. Reproduction or issue to third parties in any form without written authority from the proprietor.
 Property of BERG ELECTRONICS. Copyright BERG ELECTRONICS BV

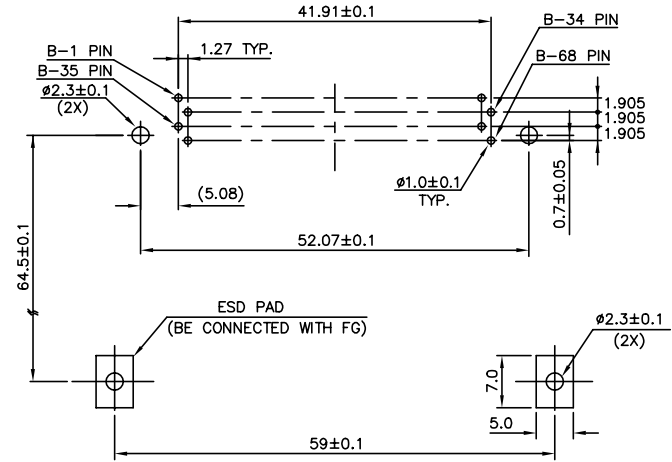
PRODUCT NO.
 10112445-050HAH/050HAHLF



NOTES:

- EJECT FORCE : 3.5 Kg MAX.
- EJECT TRAVEL: 8.0mm
- MATERIAL
 - HEADER ASS'Y :
 - PLASTIC : HOUSING ...HIGH TEMPERATURE THERMOPLASTIC UL94V-0 BLACK
 - : LOCATOR ...HIGH TEMPERATURE THERMOPLASTIC UL94V-0 BLACK
 - PIN : COPPER ALLOY
 - EJECT MECHANISM ASS'Y :
 - PLASTIC : GUIDE: HIGH TEMPERATURE THERMOPLASTIC UL94V-0 BLACK
 - : PUSH BUTTON: HIGH TEMPERATURE THERMOPLASTIC UL94V-0 BLACK
 - PLATE : STAINLESS
 - EMI CONTACT: PHOSPHOR BRONZE
- FINISH (PIN)
 - UNDER PLATING : 0.5µm MIN. Ni
 - CONTACT AREA : 0.076 µm MIN. GOLD
 - SOLDER TAIL(TIN LEAD OPTION): 2.5µm MIN. Sn-Pb
 - SOLDER TAIL(LEAD FREE OPTION): 2.5µm MIN. PURE TIN
- DIM "X"

4.25±0.1	3.5±0.1	5.0±0.1
OTHERS	36,67	1,17,34,35,51,68
- IF LEAD FREE P/N. THE HOUSING WILL WITHSTAND EXPOSURE TO 260°C PEAK TEMPERATURE FOR 10 SECONDS IN A WAVE SOLDER APPLICATION WITH A 1.00MM MINIMUM THICK CIRCUIT BOARD.
- LEAD FREE PRODUCT MEETS EUROPEAN UNION DIRECTIVES AND OTHER COUNTRY REGULATIONS AS DISCRIBED IN GS-22-008
- IF LEAD FREE P/N. PACKAGING MEETS GS-14-920 SPECIFICATION
- PRODUCT SPEC: 110-263



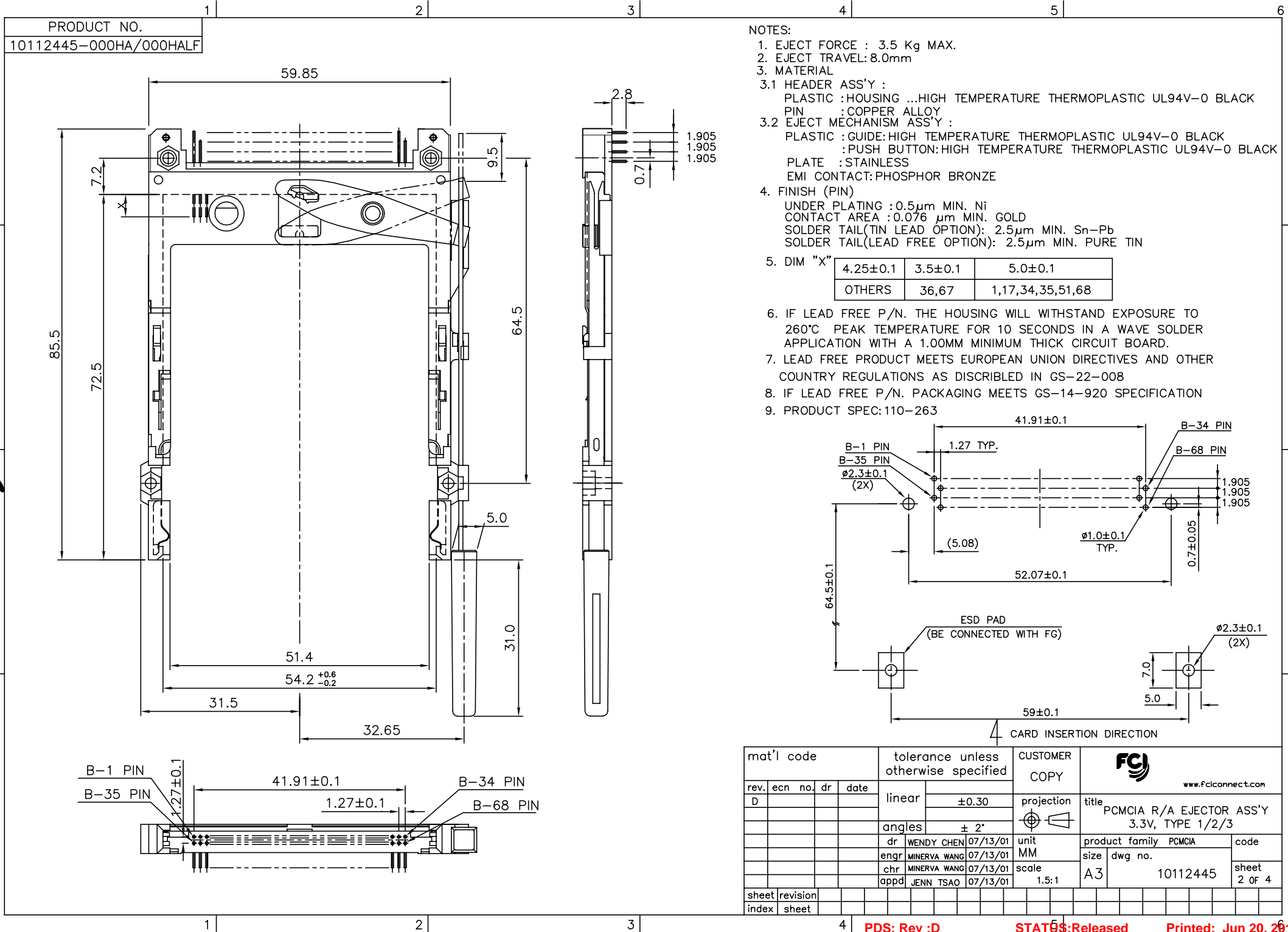
4 CARD INSERTION DIRECTION

mat'l code		tolerance unless otherwise specified		CUSTOMER COPY		FCJ www.fciconnect.com	
rev.	ecn no.	dr	date	linear	±0.30	projection	title PCMCIA R/A EJECTOR ASS'Y 3.3V, TYPE 1/2/3
A	N10-0032	SH	02/03/10				
B	N10-0062	SH	03/24/10	angles	± 2°		product family PCMCIA size dwg no. 10112445
C	ELX-N-011456	ZK	04/14/12				
D	ELX-N-011827	ZK	06/01/12	dr	WENDY CHEN 01/21/99	unit MM	code sheet 1 OF 4
				enrg	LEIF SHEN 01/21/99	scale 1.5:1	
				chr	JOSEPH HSIA 01/21/99		
				appd	JENN TSAO 01/21/99		
sheet	revision	D	D	D	D		
index	sheet	1	2	3	4		

Tous droits strictement réservés. Reproduction ou communication à des tiers sans autorisation écrite du propriétaire.
 FCJ ELECTRONICS
 Droits de reproduction BERG ELECTRONICS bv



All rights strictly reserved. Reproduction or issue to third parties in any form without written authority from the proprietor.
 FCJ ELECTRONICS
 Copyright BERG ELECTRONICS bv

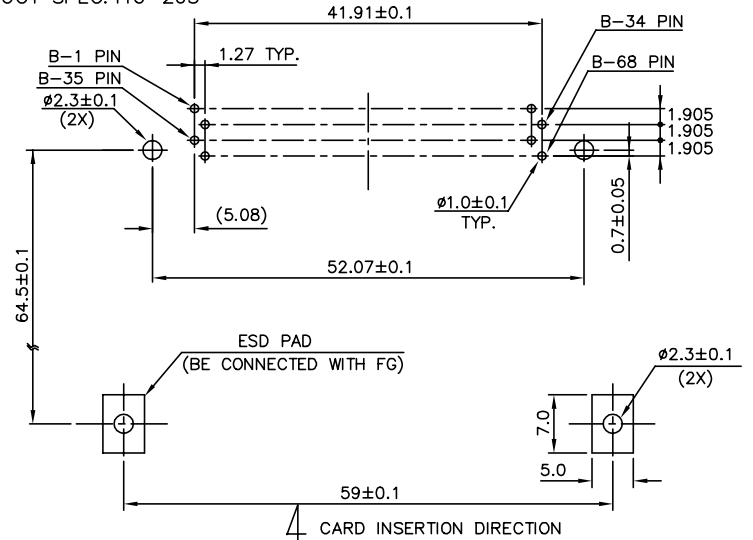


- NOTES:
- EJECT FORCE : 3.5 Kg MAX.
 - EJECT TRAVEL: 8.0mm
 - MATERIAL
 - HEADER ASS'Y :
 - PLASTIC : HOUSING ...HIGH TEMPERATURE THERMOPLASTIC UL94V-0 BLACK
 - PIN : COPPER ALLOY
 - EJECT MECHANISM ASS'Y :
 - PLASTIC : GUIDE: HIGH TEMPERATURE THERMOPLASTIC UL94V-0 BLACK
 - : PUSH BUTTON: HIGH TEMPERATURE THERMOPLASTIC UL94V-0 BLACK
 - PLATE : STAINLESS
 - EMI CONTACT: PHOSPHOR BRONZE
 - FINISH (PIN)
 - UNDER PLATING : 0.5µm MIN. Ni
 - CONTACT AREA : 0.076 µm MIN. GOLD
 - SOLDER TAIL (TIN LEAD OPTION): 2.5µm MIN. Sn-Pb
 - SOLDER TAIL (LEAD FREE OPTION): 2.5µm MIN. PURE TIN

5. DIM "X"

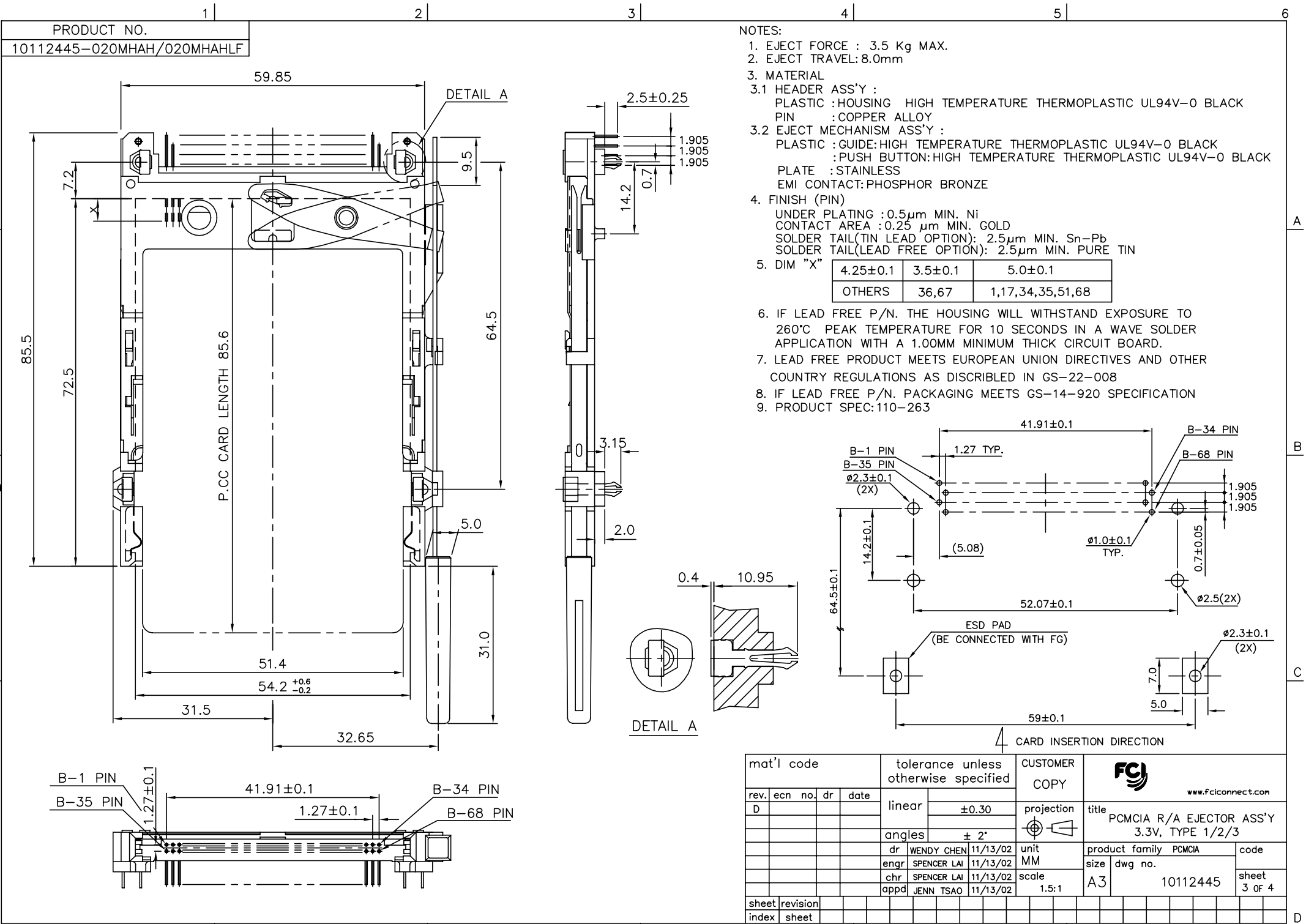
4.25±0.1	3.5±0.1	5.0±0.1
OTHERS	36,67	1,17,34,35,51,68

- IF LEAD FREE P/N. THE HOUSING WILL WITHSTAND EXPOSURE TO 260°C PEAK TEMPERATURE FOR 10 SECONDS IN A WAVE SOLDER APPLICATION WITH A 1.00MM MINIMUM THICK CIRCUIT BOARD.
- LEAD FREE PRODUCT MEETS EUROPEAN UNION DIRECTIVES AND OTHER COUNTRY REGULATIONS AS DISCRIBED IN GS-22-008
- IF LEAD FREE P/N. PACKAGING MEETS GS-14-920 SPECIFICATION
- PRODUCT SPEC: 110-263



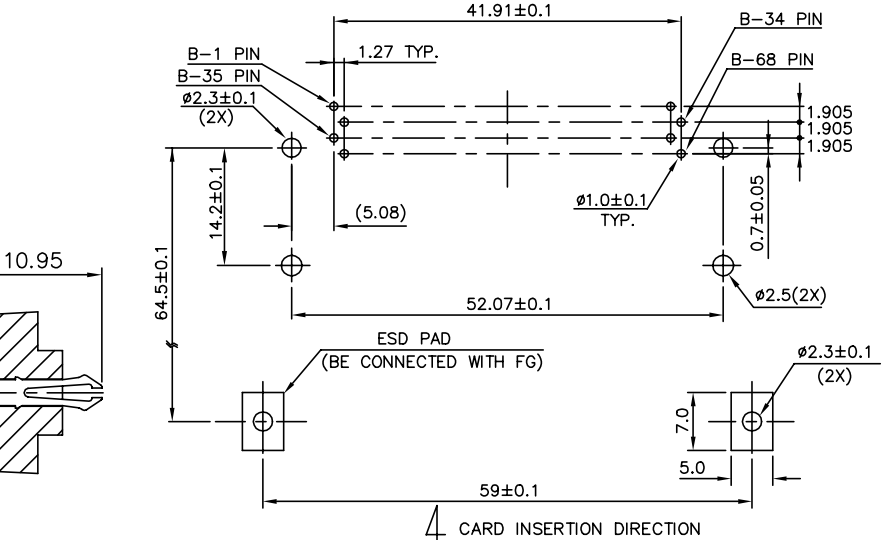
mat'l code		tolerance unless otherwise specified		CUSTOMER COPY		 www.fciconnect.com	
rev.	ecn no.	dr	date	linear	±0.30	projection	title
D				angles	± 2°		PCMCIA R/A EJECTOR ASS'Y 3.3V, TYPE 1/2/3
		dr	WENDY CHEN 07/13/01	unit	MM	product family	PCMCIA
		enrg	MINERVA WANG 07/13/01	scale	1.5:1	size	dwg no.
		chr	MINERVA WANG 07/13/01			10112445	code
		appd	JENN TSAO 07/13/01				sheet
sheet	revision						2 OF 4
index	sheet						

Tous droits strictement réservés. Reproduction ou communication a des tiers int
 sous quelque forme que ce soit, sans autorisation écrite du propriétaire.
 Property of BERG ELECTRONICS. Droits de reproduction BERG ELECTRONICS by
 FCJ
 All rights strictly reserved. Reproduction or issue to third parties in any for
 whatever is not permitted without written authority from the proprietor.
 Property of BERG ELECTRONICS. Copyright BERG ELECTRONICS by
 FCJ



- NOTES:
- EJECT FORCE : 3.5 Kg MAX.
 - EJECT TRAVEL: 8.0mm
 - MATERIAL
 - HEADER ASS'Y :
 - PLASTIC : HOUSING HIGH TEMPERATURE THERMOPLASTIC UL94V-0 BLACK
 - PIN : COPPER ALLOY
 - EJECT MECHANISM ASS'Y :
 - PLASTIC : GUIDE: HIGH TEMPERATURE THERMOPLASTIC UL94V-0 BLACK
 - : PUSH BUTTON: HIGH TEMPERATURE THERMOPLASTIC UL94V-0 BLACK
 - PLATE : STAINLESS
 - EMI CONTACT: PHOSPHOR BRONZE
 - FINISH (PIN)
 - UNDER PLATING : 0.5µm MIN. Ni
 - CONTACT AREA : 0.25 µm MIN. GOLD
 - SOLDER TAIL (TIN LEAD OPTION): 2.5µm MIN. Sn-Pb
 - SOLDER TAIL (LEAD FREE OPTION): 2.5µm MIN. PURE TIN
 - DIM "X"

4.25±0.1	3.5±0.1	5.0±0.1
OTHERS	36,67	1,17,34,35,51,68
 - IF LEAD FREE P/N. THE HOUSING WILL WITHSTAND EXPOSURE TO 260°C PEAK TEMPERATURE FOR 10 SECONDS IN A WAVE SOLDER APPLICATION WITH A 1.00MM MINIMUM THICK CIRCUIT BOARD.
 - LEAD FREE PRODUCT MEETS EUROPEAN UNION DIRECTIVES AND OTHER COUNTRY REGULATIONS AS DISCRIBED IN GS-22-008
 - IF LEAD FREE P/N. PACKAGING MEETS GS-14-920 SPECIFICATION
 - PRODUCT SPEC: 110-263

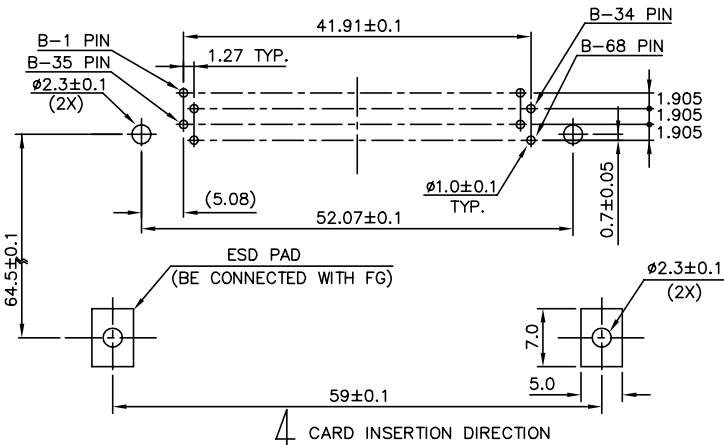
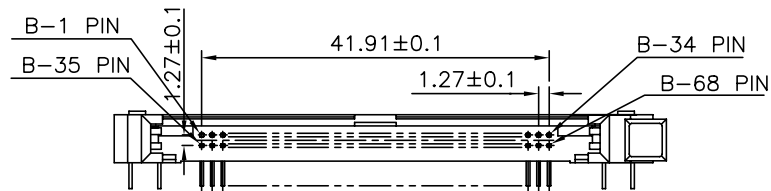
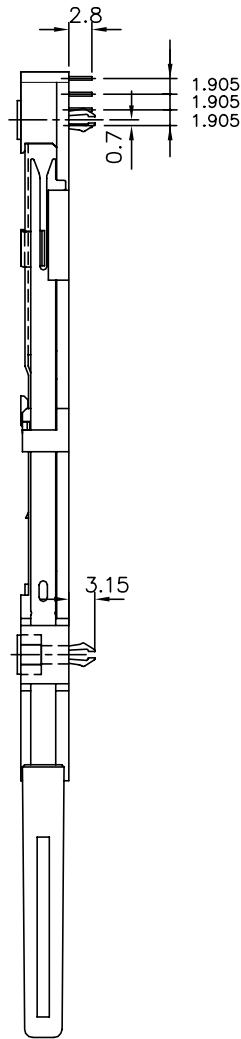
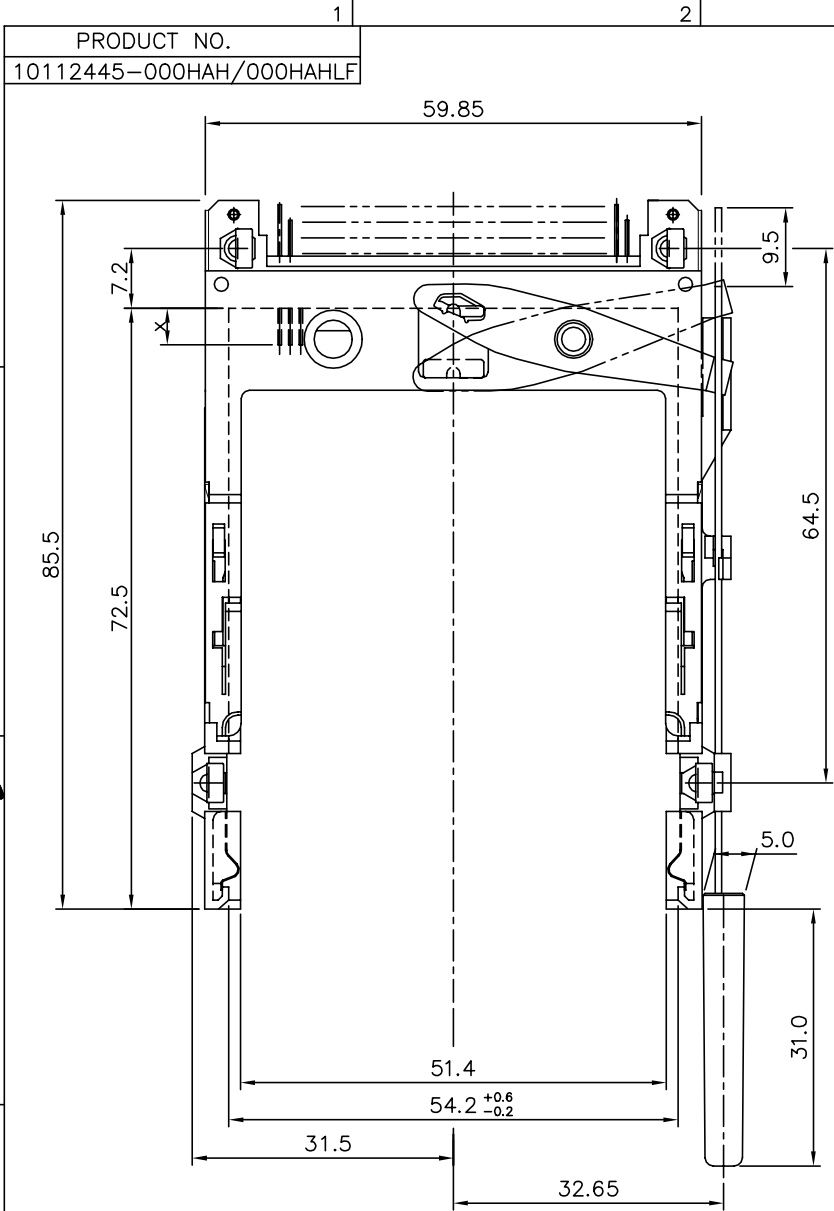


mat'l code		tolerance unless otherwise specified		CUSTOMER COPY		 www.fciconnect.com	
rev.	ecn no.	dr	date	linear	±0.30	projection	title
D				angles	± 2'		PCMCIA R/A EJECTOR ASS'Y 3.3V, TYPE 1/2/3
		dr	WENDY CHEN	11/13/02	unit	MM	product family
		enr	SPENCER LAI	11/13/02	scale	1.5:1	PCMCIA
		chr	SPENCER LAI	11/13/02	size	A3	dwg no.
		appd	JENN TSAO	11/13/02	sheet	10112445	code
sheet	revision						
index	sheet						3 OF 4

Tous droits strictement réservés. Reproduction ou communication a des tiers int sous quelque forme que ce soit sans autorisation écrite du propriétaire.
Property of BERG ELECTRONICS. Droits de reproduction BERG ELECTRONICS bv



All rights strictly reserved. Reproduction or issue to third parties in any for whatever is not permitted without written authority from the proprietor.
Property of BERG ELECTRONICS. Copyright BERG ELECTRONICS bv



- NOTES:
- EJECT FORCE : 3.5 Kg MAX.
 - EJECT TRAVEL: 8.0mm
 - MATERIAL
 - HEADER ASS'Y :
 - HOUSING: PLASTIC, HIGH TEMPERATURE THERMOPLASTIC UL94V-0 BLACK
 - PIN : COPPER ALLOY
 - EJECT MECHANISM ASS'Y :
 - PLASTIC : GUIDE: HIGH TEMPERATURE THERMOPLASTIC UL94V-0 BLACK
 - : PUSH BUTTON: HIGH TEMPERATURE THERMOPLASTIC UL94V-0 BLACK
 - PLATE : STAINLESS
 - EMI CONTACT: COPPY ALLOY
 - FINISH (PIN)
 - UNDER PLATING : 0.5µm MIN. Ni
 - CONTACT AREA : 0.076 µm MIN. GOLD
 - SOLDER TAIL(TIN LEAD OPTION): 2.5µm MIN. Sn-Pb
 - SOLDER TAIL(LEAD FREE OPTION): 2.5µm MIN. PURE TIN
 - DIM "X"
 - IF LEAD FREE P/N. THE HOUSING WILL WITHSTAND EXPOSURE TO 260°C PEAK TEMPERATURE FOR 10 SECONDS IN A WAVE SOLDER APPLICATION WITH A 1.00MM MINIMUM THICK CIRCUIT BOARD.
 - LEAD FREE PRODUCT MEETS EUROPEAN UNION DIRECTIVES AND OTHER COUNTRY REGULATIONS AS DISCRIBLED IN GS-22-008
 - IF LEAD FREE P/N. PACKAGING MEETS GS-14-920 SPECIFICATION
 - PRODUCT SPEC: 110-263

4.25±0.1	3.5±0.1	5.0±0.1
OTHERS	36,67	1,17,34,35,51,68

mat'l code			tolerance unless otherwise specified		CUSTOMER	 www.fcconnect.com		
rev.	ecn no.	dr	date	linear	COPY			
D				±0.30	projection			
				angles	± 2'	 title PCMCIA R/A EJECTOR ASS'Y 3.3V, TYPE 1/2/3		
				dr	WENDY CHEN 07/13/01	unit	product family	code
				enrg	MINERVA WANG 07/13/01	MM	PCMCIA	
				chr	MINERVA WANG 07/13/01	scale	size	dwg no.
				appd	JENN TSAO 07/13/01	1.5:1	A3	10112445
sheet	revision							sheet
index	sheet							4 OF 4