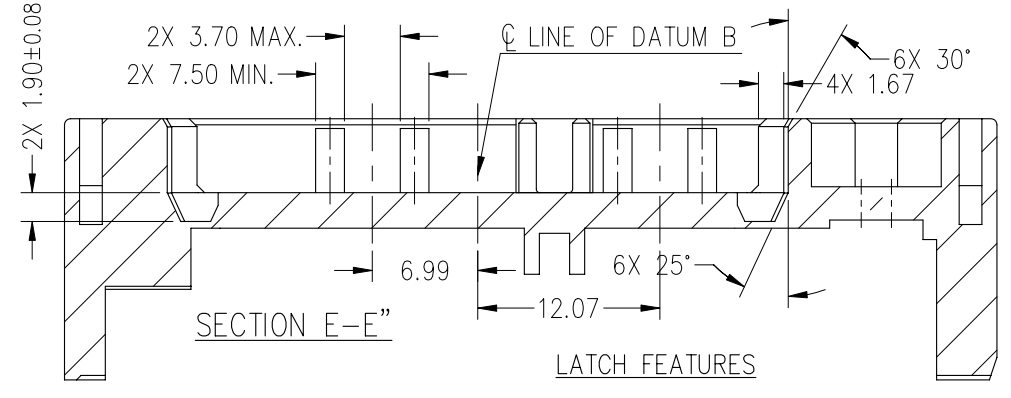
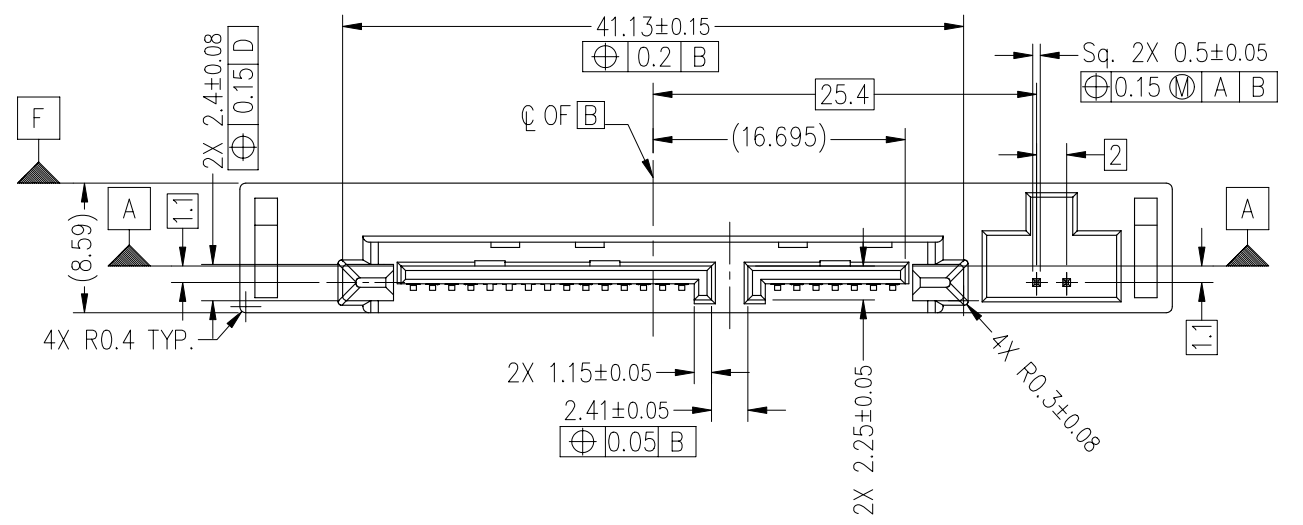
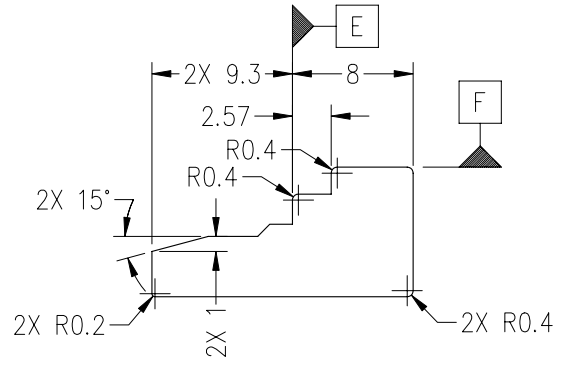
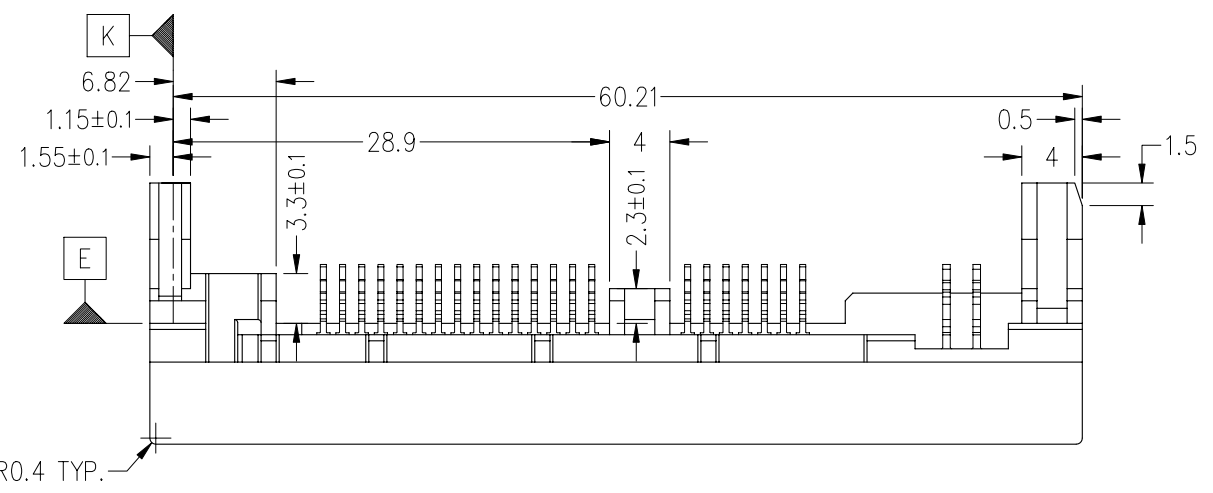


PRODUCT PART NO.  
10108586-001LF



mat'l. code				tolerances unless otherwise specified			projection	product family	
ltr	ecn no	dr	date	angles	linear	mm	SATA COMBO PLUG		
A	S10-0049	SLLIM	100309				title		
B	S10-0101	SLLIM	100607	±2'	±.2	mm	SATA COMBO PLUG STRADDLE (SHORT)		
C	S10-0137	SLLIM	100701	±2'	±.2	mm	SATA COMBO PLUG STRADDLE (SHORT)		
D	S10-0203	SLLIM	100920	dr	SLLIM	091014	dwg no		
				enr	SLLIM	091014	sheet 1 of 6		
				chr	SLLIM	091014	size		
				appd	JOEY NG	091015	A4		
sheet index		revision	D	D	D	D	type		
		sheet	1	2	3	4	Product Customer Drawing		

projection  
mm  
scale 2:1

product family  
SATA COMBO PLUG

title  
SATA COMBO PLUG STRADDLE (SHORT)

dwg no  
10108586

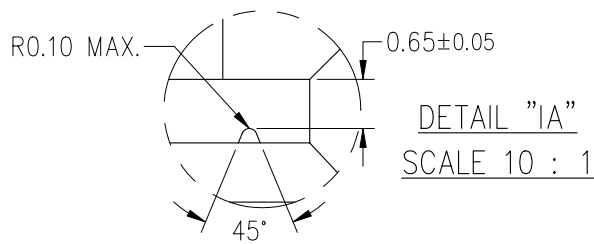
sheet 1 of 6

size  
A4

type  
Product Customer Drawing

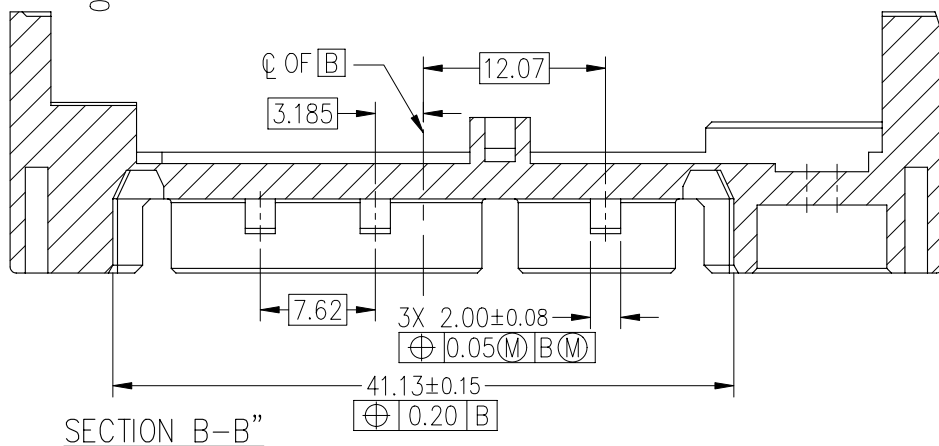
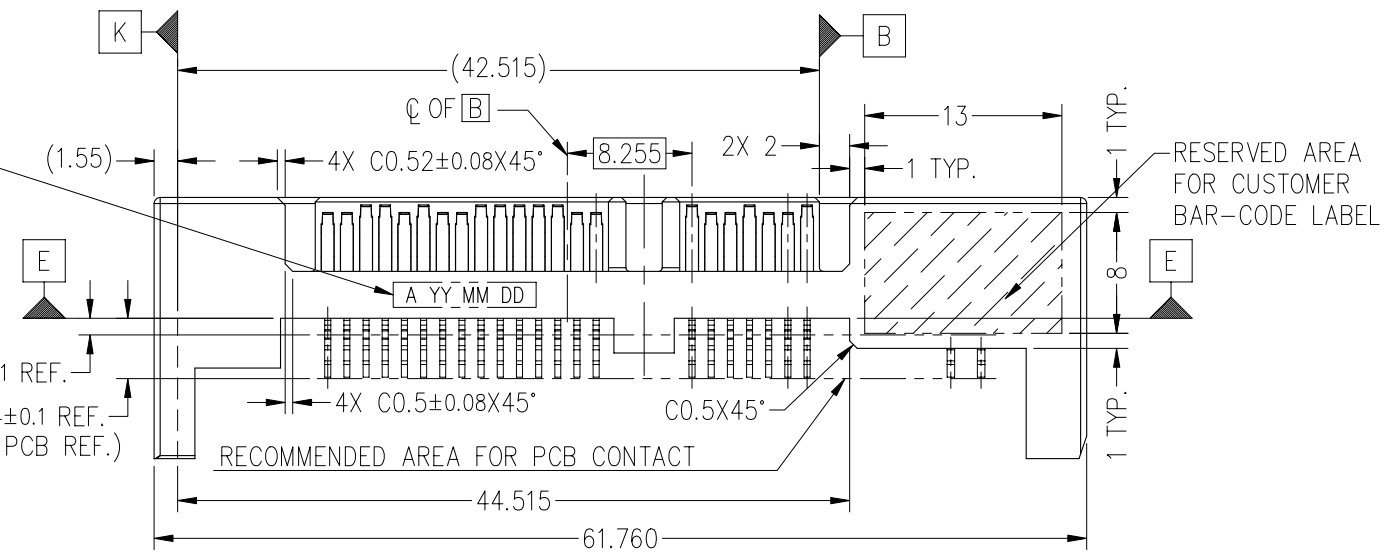
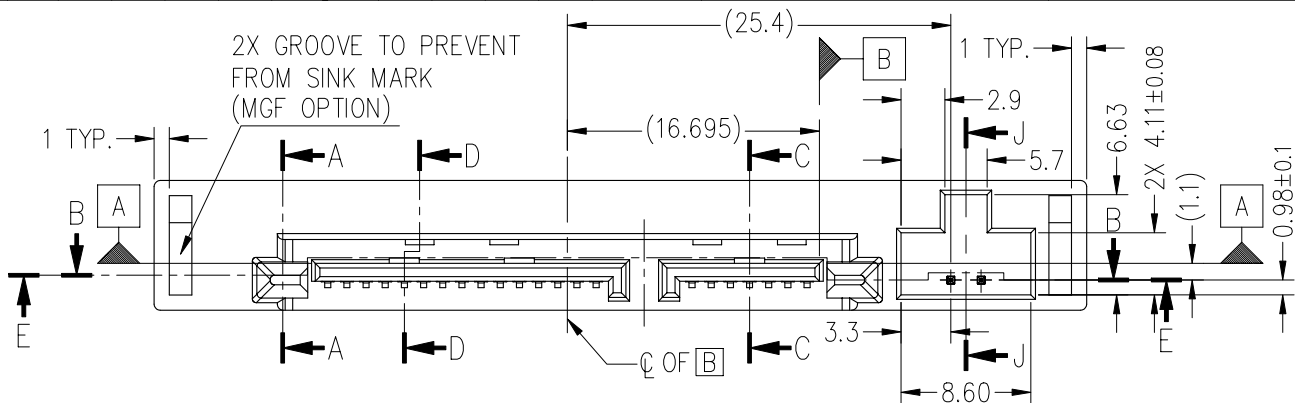
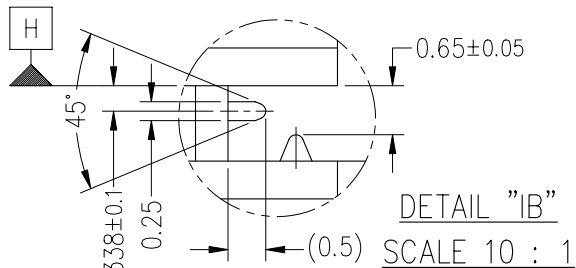






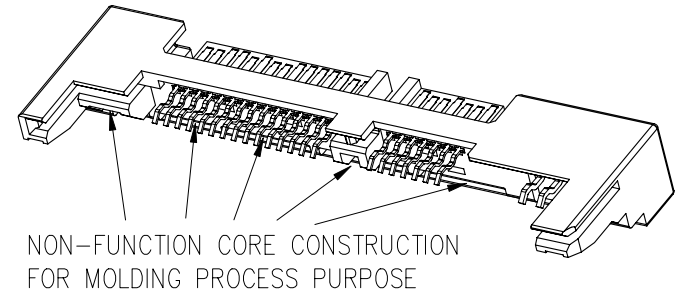
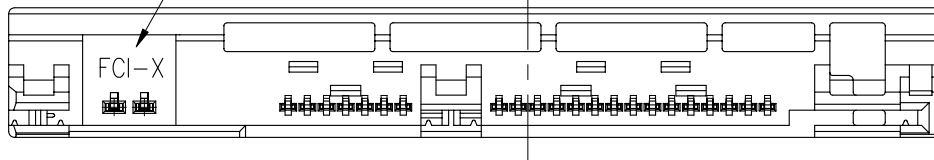
NOTE [4] RESERVED AREA FOR ASSY. DATE-CODE  
DATE CODE APPROX. AS SHOWN

A: MACHINE  
YY: YEAR  
MM: MONTH  
DD: DATE

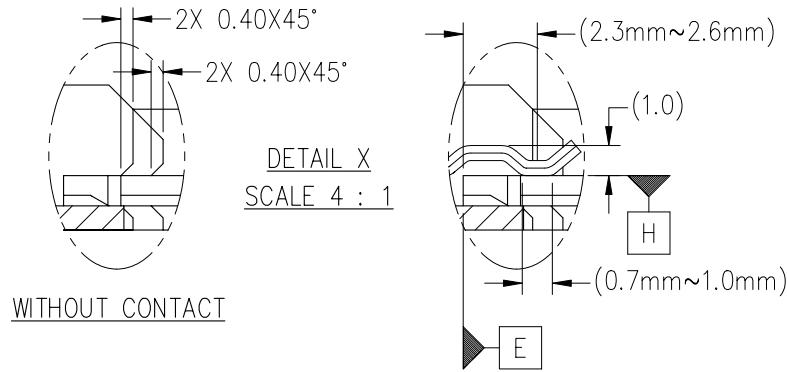


mat'l. code				tolerances unless otherwise specified			projection	product family	
ltr	ecn no	dr	date	angles	linear	mm	SATA COMBO PLUG		
D							±.2	title	
				±2'		scale 2:1	SATA COMBO PLUG STRADDLE (SHORT)		
				dr	SLIM	091014	dwg no	sheet 3 of 6	size
				enr	SLIM	091014	10108586	A4	
				chr	SLIM	091014	type Product Customer Drawing		
				appd	JOEY NG	091015			
sheet index	revision sheet								

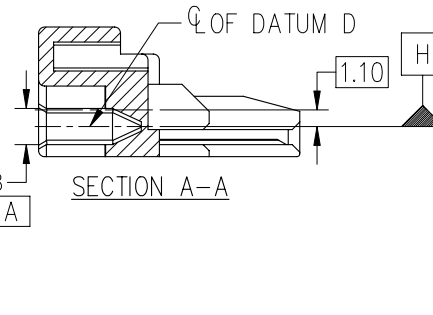
NOTE 4: FCI LOGO & CAVITY "X" RUNNING NUMBER  
 ("X" = A, B, C, D, E, F, G, H, J, K, L, M, N, P, Q, R)



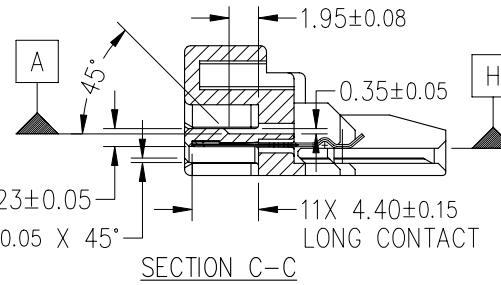
NON-FUNCTION CORE CONSTRUCTION FOR MOLDING PROCESS PURPOSE



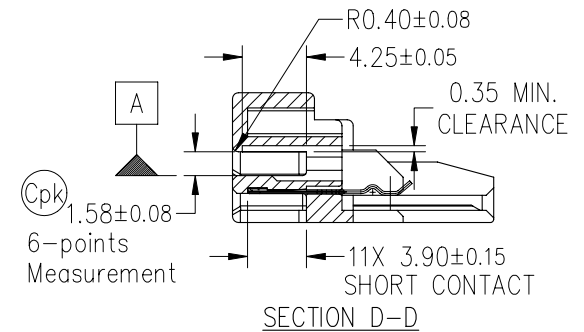
WITHOUT CONTACT



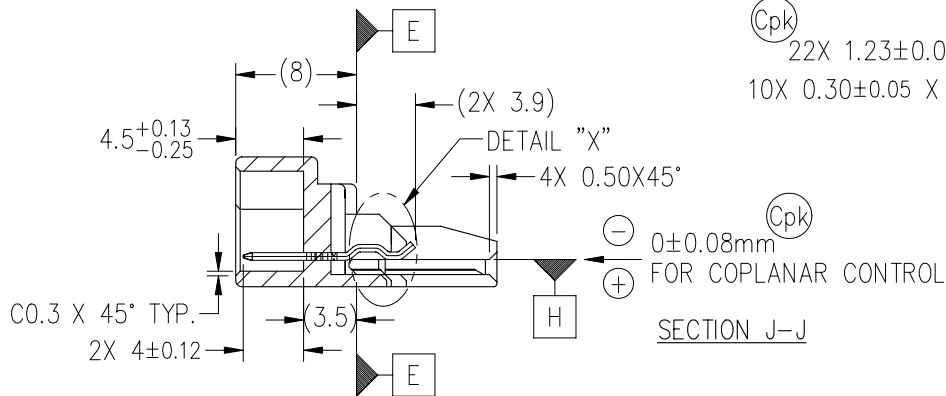
SECTION A-A



SECTION C-C

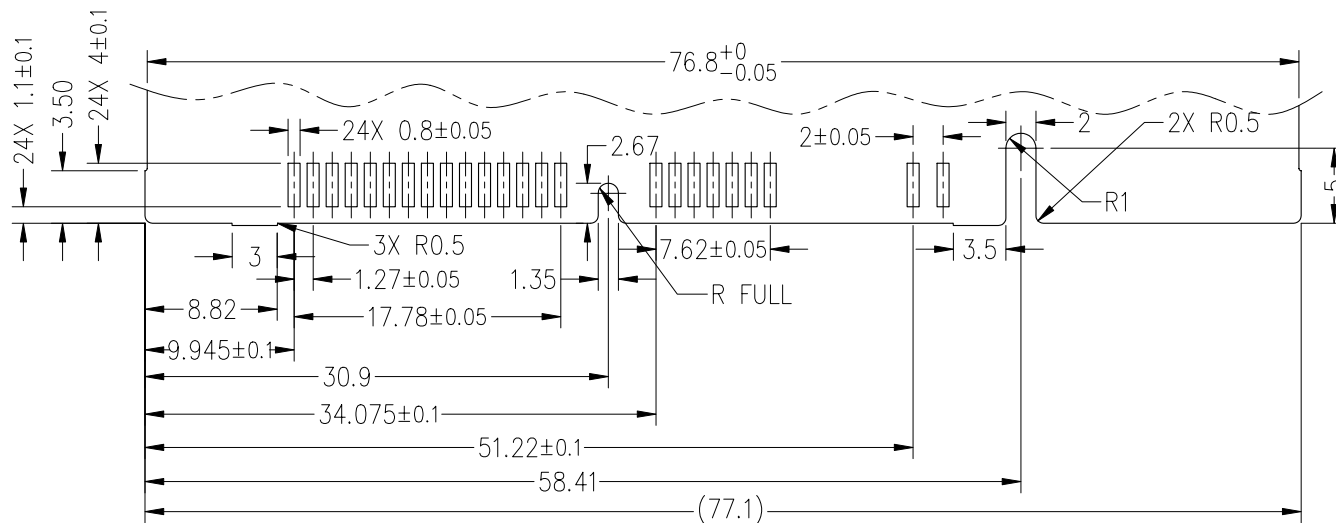


SECTION D-D



SECTION J-J

mat'l. code				tolerances unless otherwise specified			projection	product family	
ltr	ecn no	dr	date	angles ±2'	linear	mm	SATA COMBO PLUG		
D							title		
						scale 2:1	SATA COMBO PLUG STRADDLE (SHORT)		
				dr	SLLIM	091014	dwg no	sheet 4 of 6	size
				enrg	SLLIM	091014	10108586	A4	
				chr	SLLIM	091014	type Product Customer Drawing		
				appd	JOEY NG	091014			
sheet index	revision sheet								



RECOMMENDED PC BOARD LAYOUT

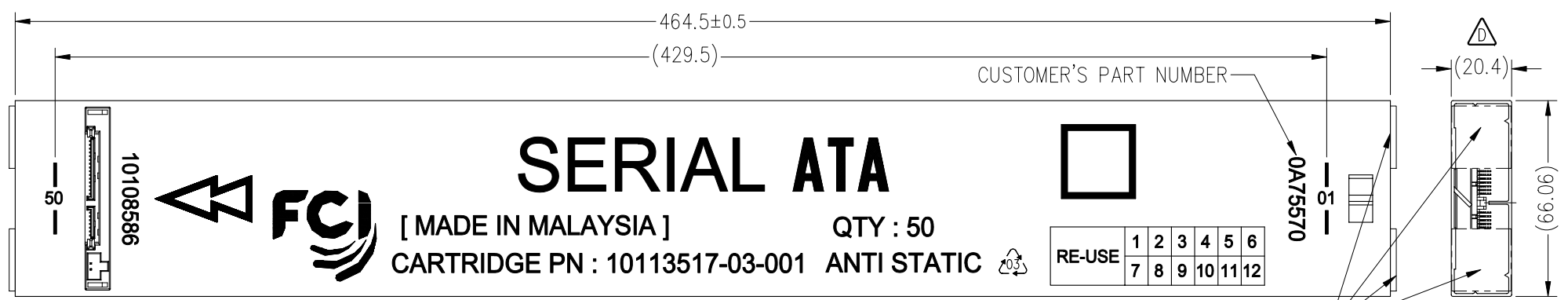
BOARD THICKNESS 0.796mm

NOTES :

1. MATERIAL:
  - A. HOUSING:  
LCP MATERIAL, UL94V-0, COLOR: BLACK.
  - B. SATA TERMINAL: COPPER ALLOY.
  - C. JUMPER PIN: COPPER ALLOY.
2. FINISH:
  - A. SATA SIGNAL AND POWER PINS: (MATING SIDE)  
1.27um [50u"] MINIMUM, 2.54um [100u"] MAXIMUM NICKEL UNDER PLATE WITH 0.05um [2u"] MINIMUM GOLD IN CONTACT AREA.
  - B. JUMPER PIN (MATING SIDE)  
1.27um [50u"] MINIMUM, 2.54um [100u"] MAXIMUM NICKEL UNDER PLATE WITH 0.05um [2u"] MINIMUM GOLD IN CONTACT AREA.
  - C. ALL SOLDER TAILS (SATA AND JUMPER):  
1.27um [50u"] MINIMUM, 2.54um [100u"] MAXIMUM NICKEL UNDER PLATE WITH 1.91um [75u"] MINIMUM PURE TIN IN CONTACT AREA.
  - D. LUBRICANT (C-9030) IS APPLIED ON THE CONTACT AREA AFTER PLATING.
3. DATUM [A] IS DEFINED AS THE TOP PORTION OF THE BLADE SURFACE.

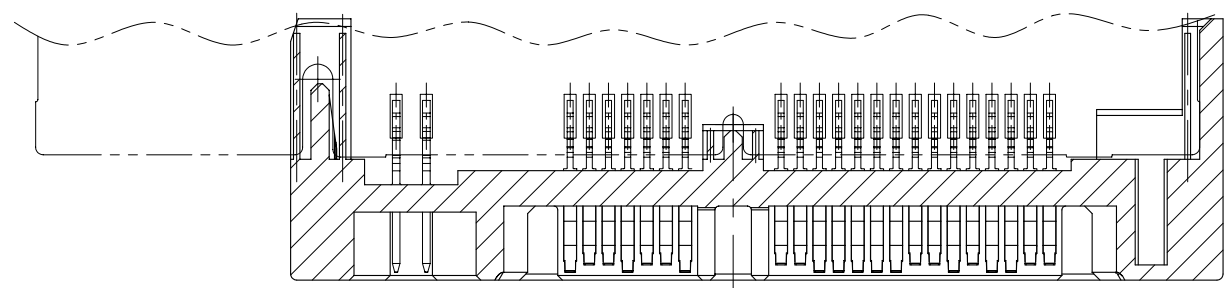
4. PART MARKING: MANUFACTURE NAME, LOGO AND / OR DATE CODE SHALL BE MARKED THE SURFACE OF THE CONNECTOR APPROXIMATELY WHERE SHOWN.
5. ALTERNATE CORING AND RIB CONSTRUCTION FOR MOLDING PROCESS.
6. THIS PRODUCT MEETS EUROPEAN UNION DIRECTIVES AND OTHER COUNTRY REGULATIONS AS DESCRIBED IN GS-22-008 .
7. A  $\triangle$  SYMBOL WILL BE NEXT TO ANY DIMENSION, NEW VIEW, OR NOTE WHICH HAS BEEN MODIFIED WITH THE CURRENT DRAWING REVISION.
8. UNLESS OTHERWISE SPECIFIED, TYPICAL WALL THICKNESS (1.0 mm).
9. INTERPRET DIMENSION ACCORDING TO ASME Y14.4M - 1994.

mat'l. code				tolerances unless otherwise specified			projection	product family			
SATA COMBO PLUG							$\oplus$	SATA COMBO PLUG			
ltr	ecn no	dr	date				mm	title			
D				angles	linear	±.2		SATA COMBO PLUG STRADDLE (SHORT)			
				±2'		-----	scale 2:1	dwg no			
				dr	SLLIM	091014		sheet 5 of 6			
				enrg	SLLIM	091014	FCI	size			
				chr	SLLIM	091014		10108586			
				appd	JOEY NG	091014		A4			
sheet index		revision sheet					type			Product Customer Drawing	



RECOMMENDED CONNECTOR TUBE LAYOUT

\* PACKING SIZE: 50 CONNECTORS PER CARTRIDGE TUBE



RECOMMENDED PC-BOARD LAYOUT

mat'l. code				tolerances unless otherwise specified			projection	product family	
ltr	ecn no	dr	date	angles	linear	mm	SATA COMBO PLUG		
D							±.2	title	
				±2'		scale 2:1	SATA COMBO PLUG STRADDLE (SHORT)		
				dr	SLLIM	091014	dwg no	sheet 6 of 6	size
				enr	SLLIM	091014	10108586		A4
				chr	SLLIM	091014	type		Product Customer Drawing
				appd	JOEY NG	091014			
sheet index		revision sheet							

FCIconnect.com

Copyright FCI