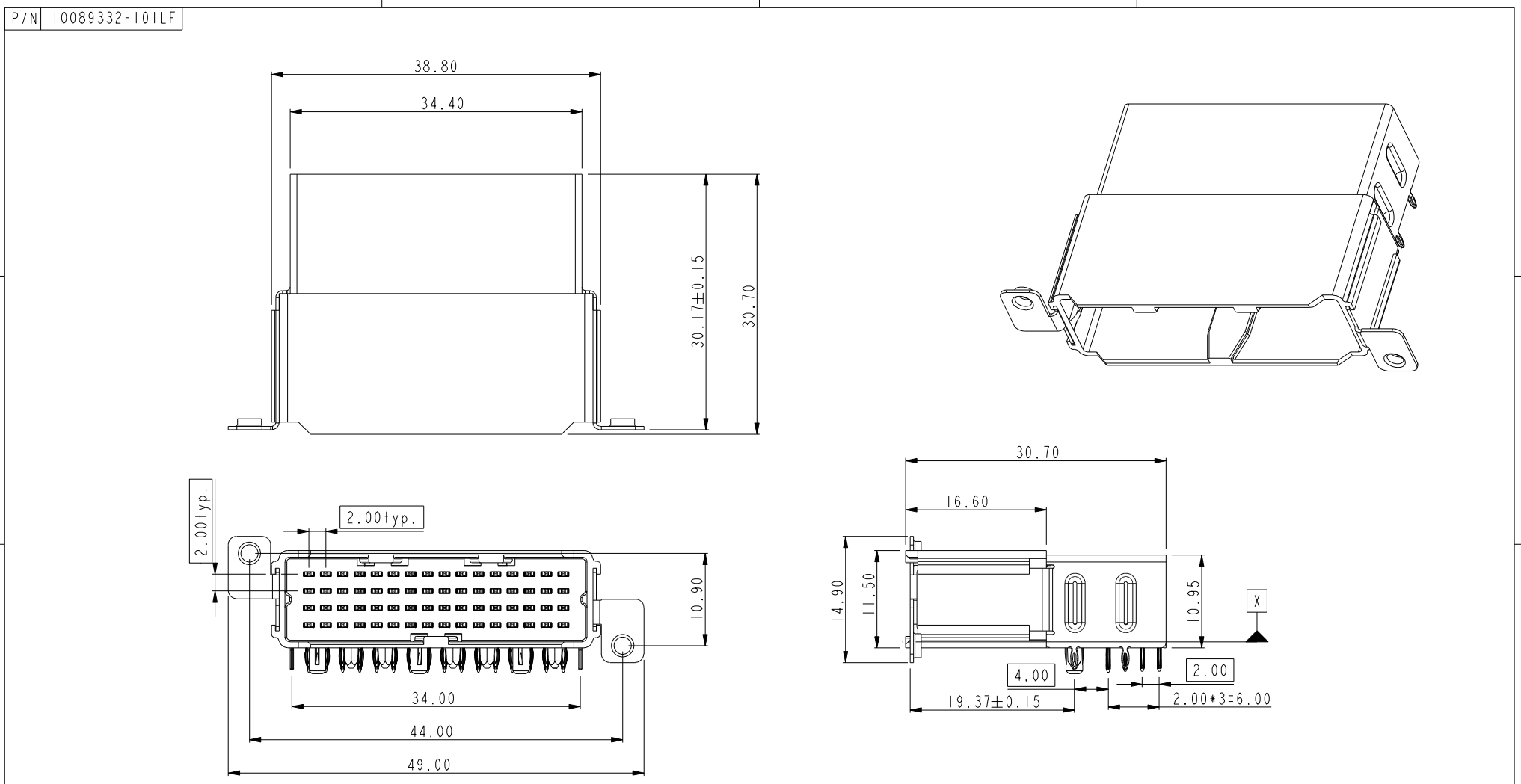


FCI CONFIDENTIAL



This document is the property of and embodies CONFIDENTIAL and PROPRIETARY information of FCI. No part of the information shown on this document may be used in any way or disclosed to others without the written consent of FCI. Copyright FCI.



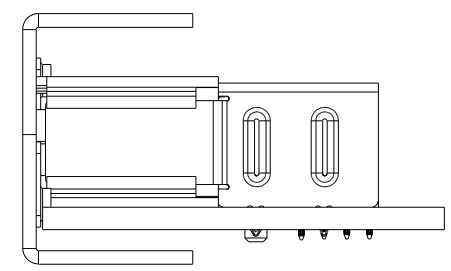
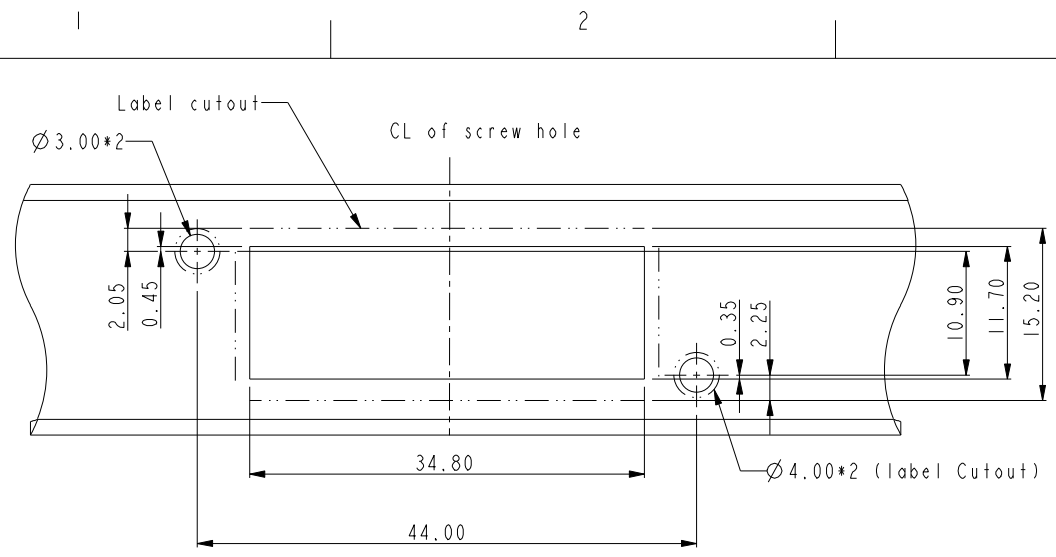
**NOTE:**

- Thickness of frontpanel is required to have the correct dimension for the mounting ears.
- Material: Housing : LCP  
Press Block: LCP  
Shell: SUS304  
Terminal; Phosphor Bronze
- The wiping distance of the connector terminal is 3.75mm when front panel thickness is 1.2mm .
- The wiping distance of the connector terminal is 2.45mm when front panel thickness is 2.5mm .

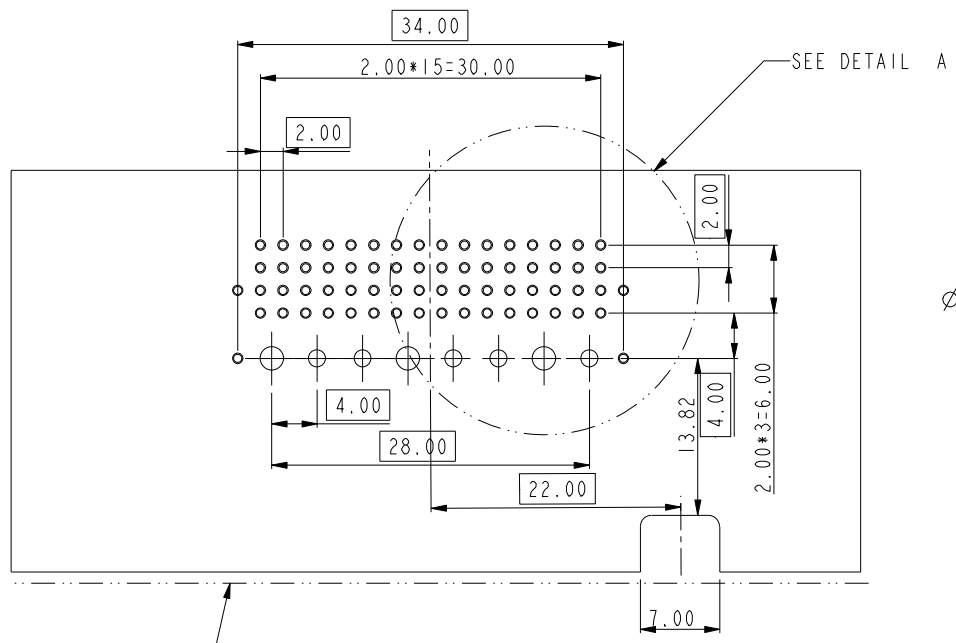
TOLERANCES UNLESS OTHERWISE SPECIFIED			
LINEAR	0.X	±0.3	-
	0.XX	±0.15	-
	0.XXX	±0.08	-
ANGULAR	0°	±2°	-

Mark with FRONT-PANEL REV. 1 in area indicated by X.....			
rev	ecn no	dr	date
A	DG09-0048	Junon	02/26/09
B	DG10-0196	Junon	05/27/10

Material *		Spec ref	
Mat code		tolerance	projection
Heatreat		✓	⊕
Plating/Finish		size	MM
Dr Junon Huang	06/03/08	A4	Scale 1.500
Eng Junon Huang	06/03/08	Product family	
Chr Gary Hsieh	06/03/08	Model Name	BC001
Appr Joseph Hsieh	06/03/08	Model Revision	* REL Level *
FCI	title 64 pos VDSL Board connector		dwg no 10089332
Pro/E file catalog	PDM: Rev-B		Rev. B

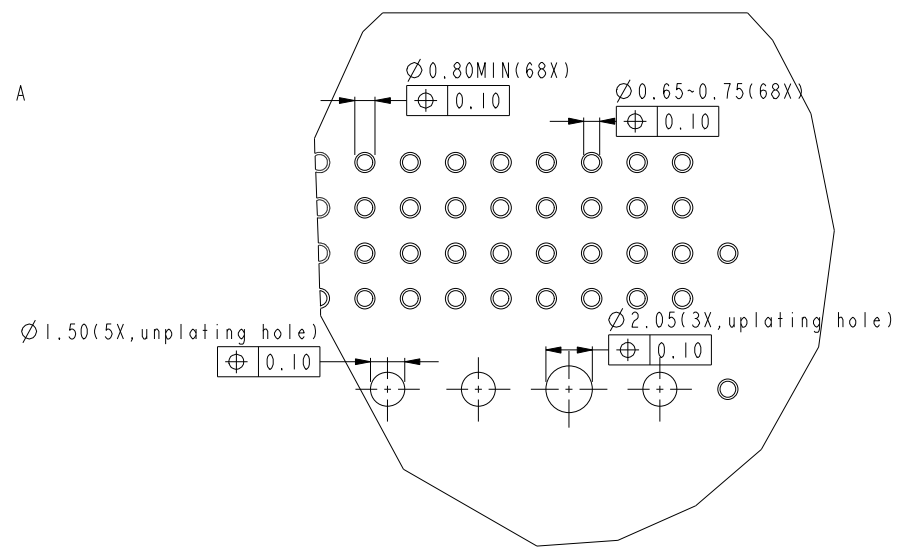


Recommend Frontpanel cutout dimensions



Mounting hole position refer to the inside surface of frontpanel

Recommended PCB Layout, Component mounting side



DETAIL A  
SCALE 3.000

Material *			Spec ref		
Mat code			tolerance	projection	MM
Heatreat			✓		←→
Plating/Finish			I	size A4	Scale 1.000
Dr	Junon Huang	06/03/08	Product family		
Eng	Junon Huang	06/03/08	Model Name	BC001	ECN *
Chr	Gary Hsieh	06/03/08	Model Revision	I	REL Level *
Appr	Joseph Hsia	06/03/08			

	<b>64 pos VDSL Board connector</b>		dwg no <b>10089332</b>	Rev. <b>B</b>
	Pro/E file	catalog		