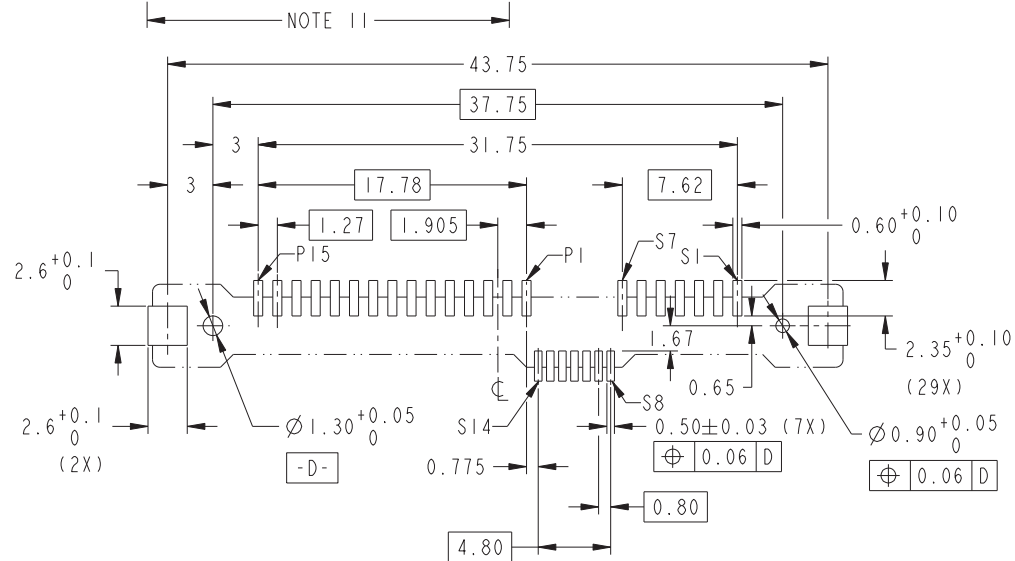


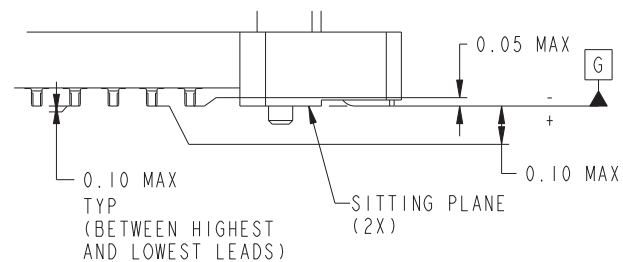
1		2			3		4	
PRODUCT NO	METAL CLIP	PLATING	PICK-UP CAP	PACKAGING	REMARKS	PRODUCT NO	PLATING	
10031567-001LF	2 PCS	NOTE 2	NO	TRAY	NOTE ⑧	10031567-401LF	NOTE ⑪	
10031567-001CLF			YES		NOTE ④ & ⑧	10031567-401CLF		
10031567-001C-TRLF			YES	TAPE & REEL	NOTE ④ ⑥ & ⑧	10031567-401C-TRLF		

NOTES:

- MATERIAL :
 1) HOUSING : HIGH TEMP THERMOPLASTIC, UL 94V-0
 COLOR : BLACK
 2) TERMINAL : COPPER ALLOY
 3) HOLD DOWN : COPPER ALLOY
- FINISH :
 1) TERMINAL : 30μ" Au PLATING (CONTACT POINT) OVER 50μ" NICKEL
 2) SOLDER TAIL : 100μ" MIN Sn OVER 50μ" NICKEL
 3) HOLD DOWN : 100μ" MIN Sn OVER 50μ" NICKEL
- PER SFF REV 1.1, EXCEPT 0.8mm PITCH BUMP AREA.
- PART WITH PICK-UP CAP, P/N XXXXXXXX-XXX LF.
- THE STD PACKAGING IS IN TRAY UNLESS OTHERWISE SPECIFIED.
- PART NUMBER WITH SUFFIX "-TR" MEANS FOR TAPE & REEL PACKAGING (E.G. P/N: XXXXXXXX-XXX-TRLF).
- THE HOUSING WILL WITHSTAND EXPOSURE TO 260°C PEAK TEMPERATURE FOR 10 SECONDS IN A CONVECTION, INFRA-RED OR VAPOR PHASE REFLOW OVEN.
- THIS PRODUCT MEETS EUROPEAN UNION DIRECTIVES AND OTHER COUNTRY REGULATIONS AS DESCRIBED IN GS-22-008.
- PART NUMBERS ENDING IN "LF" MEANS FOR NOTE 8 LEAD FREE IDENTIFICATION
 (i) XXXXXXXX-XXXLF IS EQUIVALENT TO PREVIOUS P/N XXXXXXXX-XXX
 (ii) XXXXXXXX-XXXCLF IS EQUIVALENT TO P/N XXXXXXXX-XXXC
 (iii) XXXXXXXX-XXX-TRLF IS EQUIVALENT TO P/N XXXXXXXX-XXX-TR
- A Δ SYMBOL WILL BE NEXT TO ANY DIMENSION, VIEW, OR NOTE WHICH HAS BEEN MODIFIED WITH THE CURRENT DRAWING REVISION.
- FINISH :
 1) TERMINAL : 15μ" GXT PLATING (CONTACT POINT) OVER 50μ" NICKEL
 2) SOLDER TAIL : 100μ" MIN Sn OVER 50μ" NICKEL
 3) HOLD DOWN : 100μ" MIN Sn OVER 50μ" NICKEL



RECOMMENDED PCB LAYOUT



DETAIL 2
SCALE 6:1

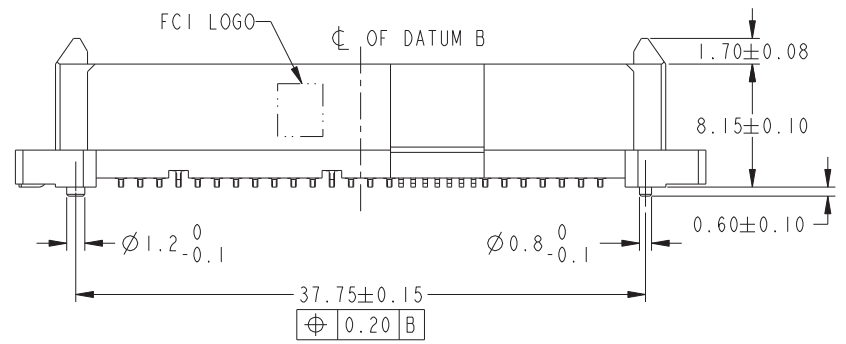
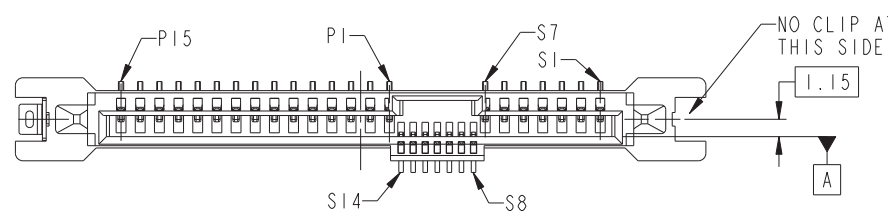
spec ref	-	dr	GL LOO	2004-02-27	projection	MM	size	A3	scale	3:1				
tolerance std	ISO 406 ISO 1101	eng	GL LOO	2004-02-27			ecn no	S10-0228	rel level	-				
TOLERANCES UNLESS OTHERWISE SPECIFIED		chr	GL LOO	2010-10-28							product family	SAS		
surface	linear	0.X	±-		SAS RECEPTACLE		dwg no	10031567		rev				
ISO 1302	angular	0°	±2°		VERTICAL SMT TYPE ASSY						cat. no.	-	Product - Customer Drw	sheet 2 of 3
	0.XX	±0.20	0.XXX		±-									



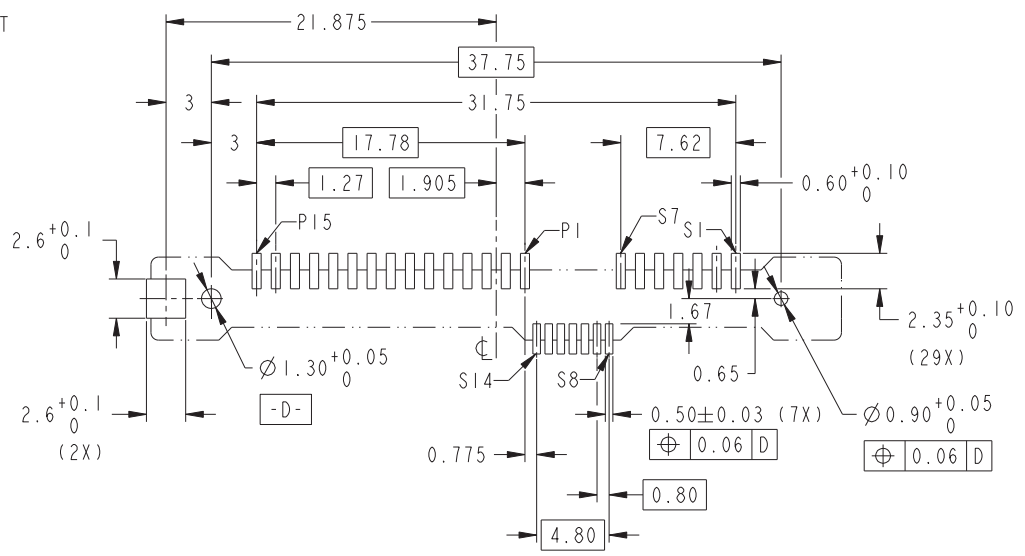
Copyright FCI.

1		2			3		4	
PRODUCT NO	METAL CLIP	PLATING	PICK-UP CAP	PACKAGING	REMARKS	PRODUCT NO	PLATING	
10031567-002LF	1 PC	NOTE 2	NO	TRAY	NOTE ⑧	10031567-402LF	NOTE ⑪	
10031567-002CLF			YES		NOTE ④ & ⑧	10031567-402CLF		
10031567-002C-TRLF			YES	TAPE & REEL	NOTE ④ ⑥ & ⑧	10031567-402C-TRLF		

PRODUCT NO	METAL CLIP	PLATING	PICK-UP CAP	PACKAGING	REMARKS
10031567-404C-TRLF	1 PC	NOTE 11	YES	CUSTOM-MADE TAPE & REEL	NOTE ④ ⑥ & ⑧



ALL OTHER DIMENSIONS, REFER TO SHEET 1.



RECOMMENDED PCB LAYOUT

Copyright FCI.

spec ref	-	dr	GL LOO	2004-02-27	projection	MM	size	A3	scale	3:1
tolerance std	ISO 406 ISO 1101	eng	GL LOO	2004-02-27			ecm no	S10-0228		
TOLERANCES UNLESS OTHERWISE SPECIFIED		chr	GL LOO	2010-10-28			product family	SAS	rel level	
surface	linear	appr	JOEY NG	2010-10-28			rel level			
	angular				SAS RECEPTACLE VERTICAL SMT TYPE ASSY		rel level			
					www.fci.com		rel level			
					cat. no.		rel level			
					Product - Customer Drw		rel level			
					sheet 3 of 3		rel level			
					PDS: Rev :M		rel level			
					STATUS:Released		rel level			
					Printed: Nov 01, 2011		rel level			