

AMPHENOL PART NUMBER CONFIGURATION  
**UE86-3G6420-X0X61**

**LIGHT PIPE OPTION**

- 0 - NO LIGHT PIPE
- 1 - 4 LP PER 2X1, NORMAL ORIENTATION
- 2 - 2 INNER LP PER 2X1, NORMAL ORIENTATION
- 3 - 2 OUTER LP PER 2X1, NORMAL ORIENTATION
- 4 - 4 LP PER 2X1, REVERSING ORIENTATION
- 5 - 2 INNER LP PER 2X1, REVERSING ORIENTATION
- 6 - 2 OUTER LP PER 2X1, REVERSING ORIENTATION
- 7 - 3 LP PER 2X1, 2 OUTER LP, NORMAL ORIENTATION
- 8 - 3 LP PER 2X1, 2 OUTER LP, REVERSING ORIENTATION

**PACKAGING**

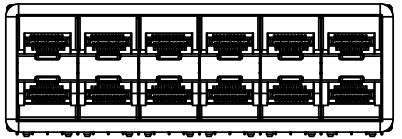
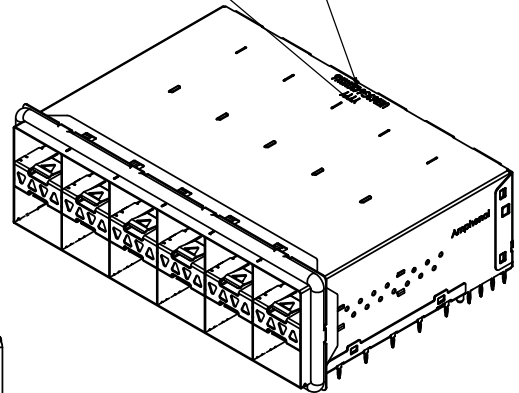
- T - TRAY PACKAGING (STACKED)

**PLATING OPTIONS FOR CONNECTOR**

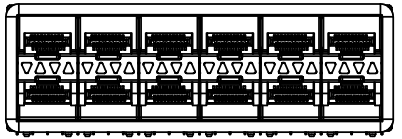
- 2 - 30µ" GOLD PLATING ON MATING AREA
- 15 - 100µ" MATTE TIN ON TERMINATION
- 3 - 30µ" GOLD PLATING ON MATING AREA
- 150 - 300µ" MATTE TIN ON TERMINATION
- 5 - 15µ" GOLD PLATING ON MATING AREA
- 15 - 100µ" MATTE TIN ON TERMINATION
- 6 - 15µ" GOLD PLATING ON MATING AREA
- 150 - 300µ" MATTE TIN ON TERMINATION

REVISIONS				
REV.	ECN	DESCRIPTION	DATE	APPROVED
A		INITIAL RELEASE	02/12/2014	J. SI
B		UPDATE PLATING OPTIONS	JUN 25/14	J.SI
C		UPDATE NOTES	AUG 19/14	J.SI

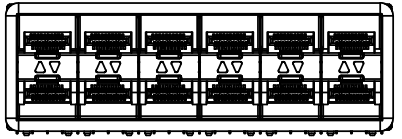
PART NUMBER  
 (LAST DIGIT INDICATING  
 PACKAGING TYPE, NOT  
 PRINTED ON THE PART)  
 DATE CODE



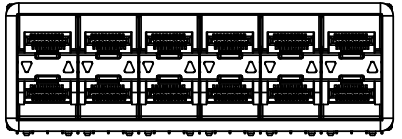
NO LIGHT PIPES  
 UE86-3G6420-00361



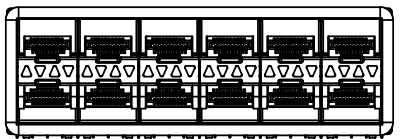
4 LIGHT PIPES  
 UE86-3G6420-10361



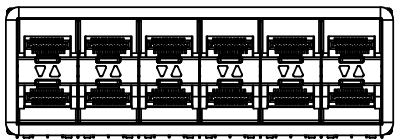
2 INNER LIGHT PIPES  
 UE86-3G6420-20361



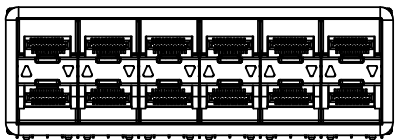
2 OUTER LIGHT PIPES  
 UE86-3G6420-30361



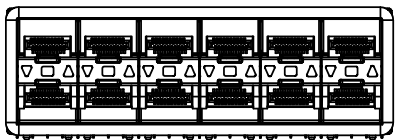
4 LIGHT PIPES UPSIDE DOWN  
 UE86-3G6420-40361



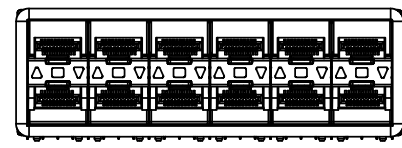
2 INNER LIGHT PIPES UPSIDE DOWN  
 UE86-3G6420-50361



2 OUTER LIGHT PIPES UPSIDE DOWN  
 UE86-3G6420-60361



3 LIGHT PIPES  
 UE86-3G6420-70361



3 LIGHT PIPES UPSIDE DOWN  
 UE86-3G6420-80361

**MATERIAL: (RoHS COMPLIANT)**

1. CAGE - PRESS FIT: COPPER ALLOY (NICKEL SILVER)
2. CONNECTOR - PRESS FIT:  
 - PLASTIC HOUSING: LCP, FLAMMABILITY RATING UL94-V0  
 - CONTACTS: PHOSPHOR BRONZE
3. LIGHT PIPE: CLEAR POLYCARBONATE, FLAMMABILITY RATING UL94-V0
4. PACKAGING: TRAY PACKAGING
5. TEMPERATURE RANGE: -40°C TO +85°C
6. EMI GASKET: CONDUCTIVE ELASTOMER UL94-V0



THIS DOCUMENT CONTAINS PROPRIETARY INFORMATION AND SUCH INFORMATION MAY NOT BE DISCLOSED TO OTHERS FOR ANY PURPOSE OR USED FOR MANUFACTURING PURPOSES WITHOUT WRITTEN PERMISSION FROM AMPHENOL CANADA CORP.

UNLESS SPECIFIED OTHERWISE	DRAWN	P. OU	FEB10/14
DIMENSIONS ARE IN MILLIMETERS	CHECKED	J. SI	FEB 12/14
REFERENCE IN PARENTHESES	M.E. APP'D		
GENERAL TOLERANCES	Q.A. APP'D		
1 DECIMAL PLACE ±0.25	DWG APP'D	J. SI	FEB 12/14
2 DECIMAL PLACE ±0.15	MATERIAL AND FINISH	SEE NOTES	
3 DECIMAL PLACE N/A	REF.	ECN Exxxxx	
ANGULAR DEGREES ±1°	THIRD ANGLE PROJECTION		
ENG. REL. NO.			

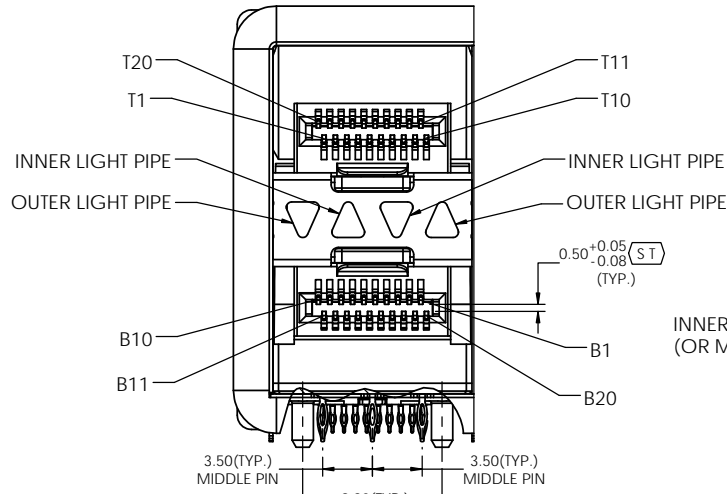
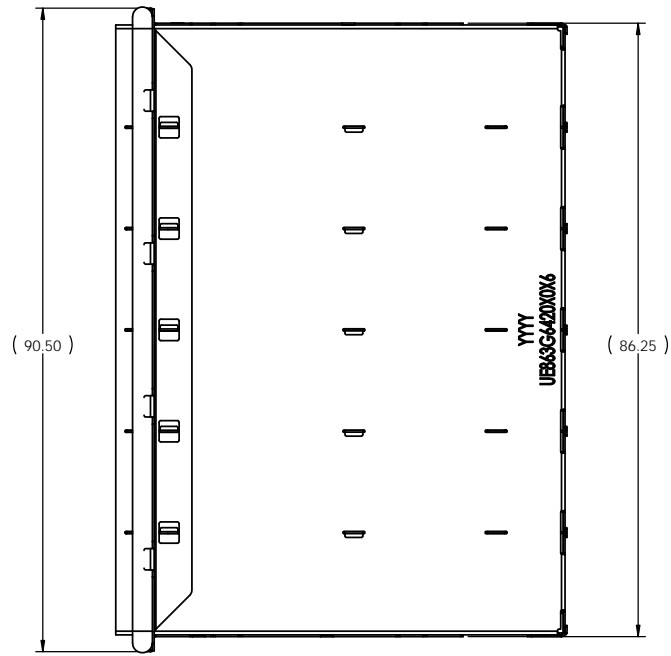
**Amphenol High Speed Interconnects**  
 A Division of Amphenol Corp. www.amphenolcanada.com

**2X6 SFP ULTRAPORT WITH LIGHT PIPE OPTIONS AND EMI GASKET VERSION**

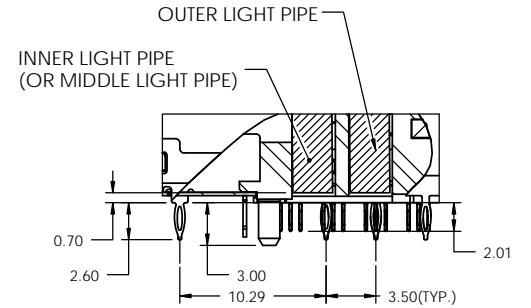
DWG. NO.	P-UE86-3G6420-X0X61	REV	C
CODE ID NO.	03554	DWG SIZE:	A4
SCALE:	2:3	SHEET 1 OF 5	

**REVISIONS**

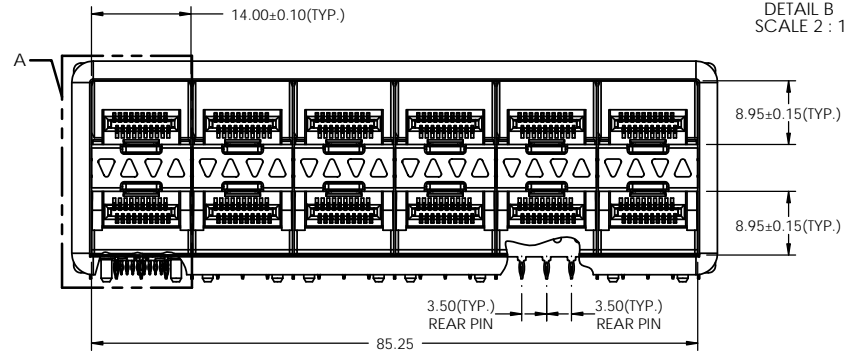
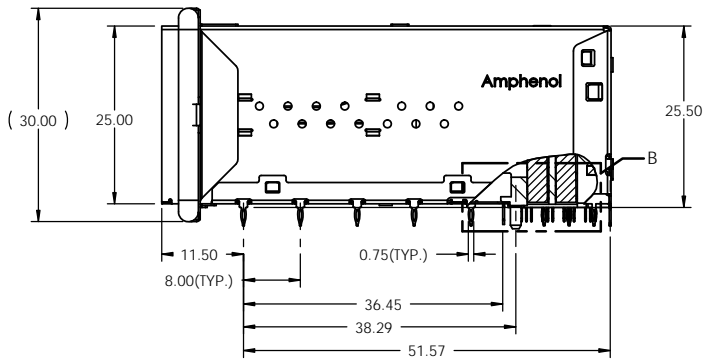
REV.	ECN	DESCRIPTION	DATE	APPROVED
A		INITIAL RELEASE	02/12/2014	J. SI
B		UPDATE PLATING OPTIONS	JUN 25/14	J.SI
C		UPDATE NOTES	AUG 19/14	J.SI



DETAIL A  
SCALE 2 : 1



DETAIL B  
SCALE 2 : 1



THIS DOCUMENT CONTAINS PROPRIETARY INFORMATION AND SUCH INFORMATION MAY NOT BE DISCLOSED TO OTHERS FOR ANY PURPOSE OR USED FOR MANUFACTURING PURPOSES WITHOUT WRITTEN PERMISSION FROM AMPHENOL CANADA CORP.

UNLESS SPECIFIED OTHERWISE	DRAWN	P. OU	FEB10/14
DIMENSIONS ARE IN MILLIMETERS	CHECKED	J. SI	FEB 12/14
REFERENCE IN PARENTHESES	M.E. APP'D		
GENERAL TOLERANCES	Q.A. APP'D		
1 DECIMAL PLACE ±0.25	DWG APP'D	J. SI	FEB 12/14
2 DECIMAL PLACE ±0.15	MATERIAL AND FINISH	SEE NOTES	
3 DECIMAL PLACE N/A	REF.	ECN Exxxxx	
ANGULAR DEGREES ±1°	THIRD ANGLE PROJECTION	DO NOT SCALE DRAWING	
ENG. REL. NO.			

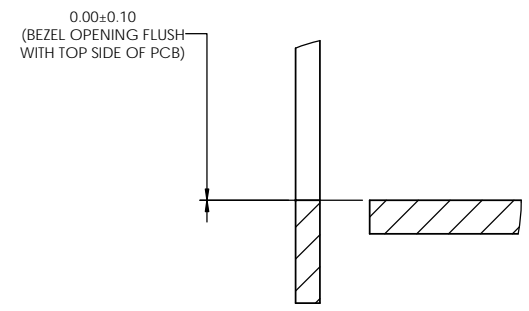
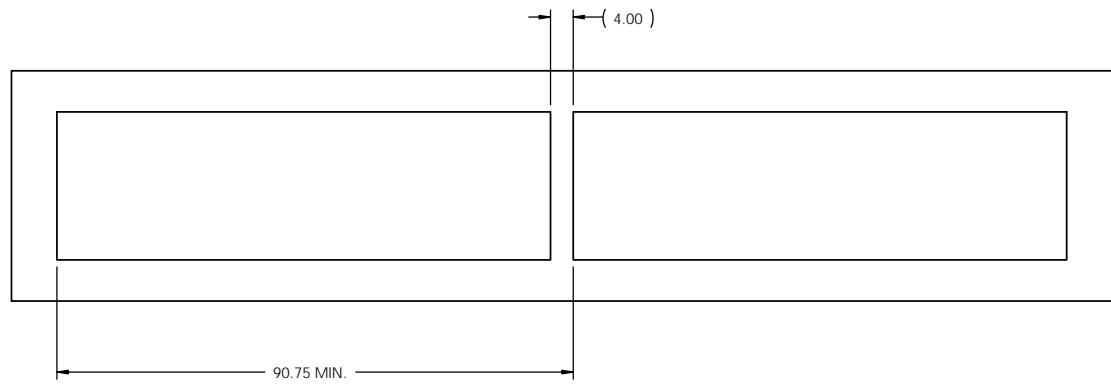
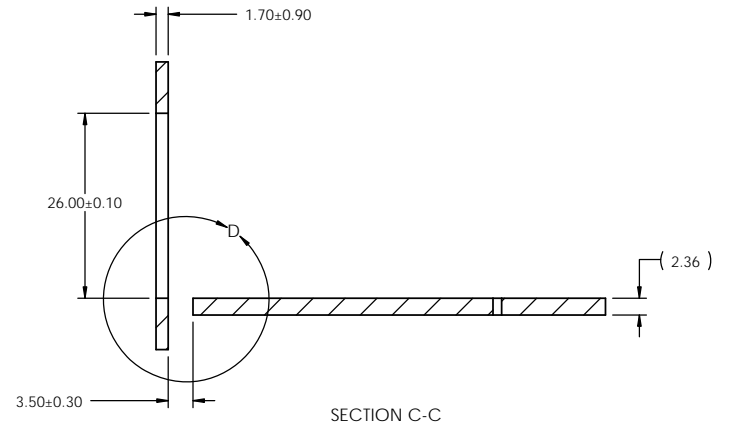
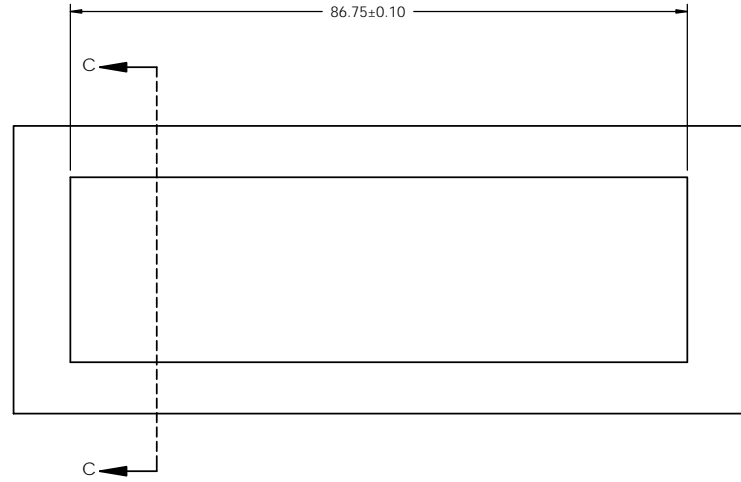
**Amphenol High Speed Interconnects**  
A Division of Amphenol Corp. www.amphenolcanada.com

**2X6 SFP ULTRAPORT WITH LIGHT PIPE  
OPTIONS AND EMI GASKET VERSION**

DWG. NO.	P-UE86-3G6420-X0X61	REV	C
CODE ID NO.	03554	DWG SIZE:	A4
SCALE:	1:1	SHEET	2 OF 5

**REVISIONS**

REV.	ECN	DESCRIPTION	DATE	APPROVED
A		INITIAL RELEASE	02/12/2014	J. SI
B		UPDATE PLATING OPTIONS	JUN 25/14	J.SI
C		UPDATE NOTES	AUG 19/14	J.SI

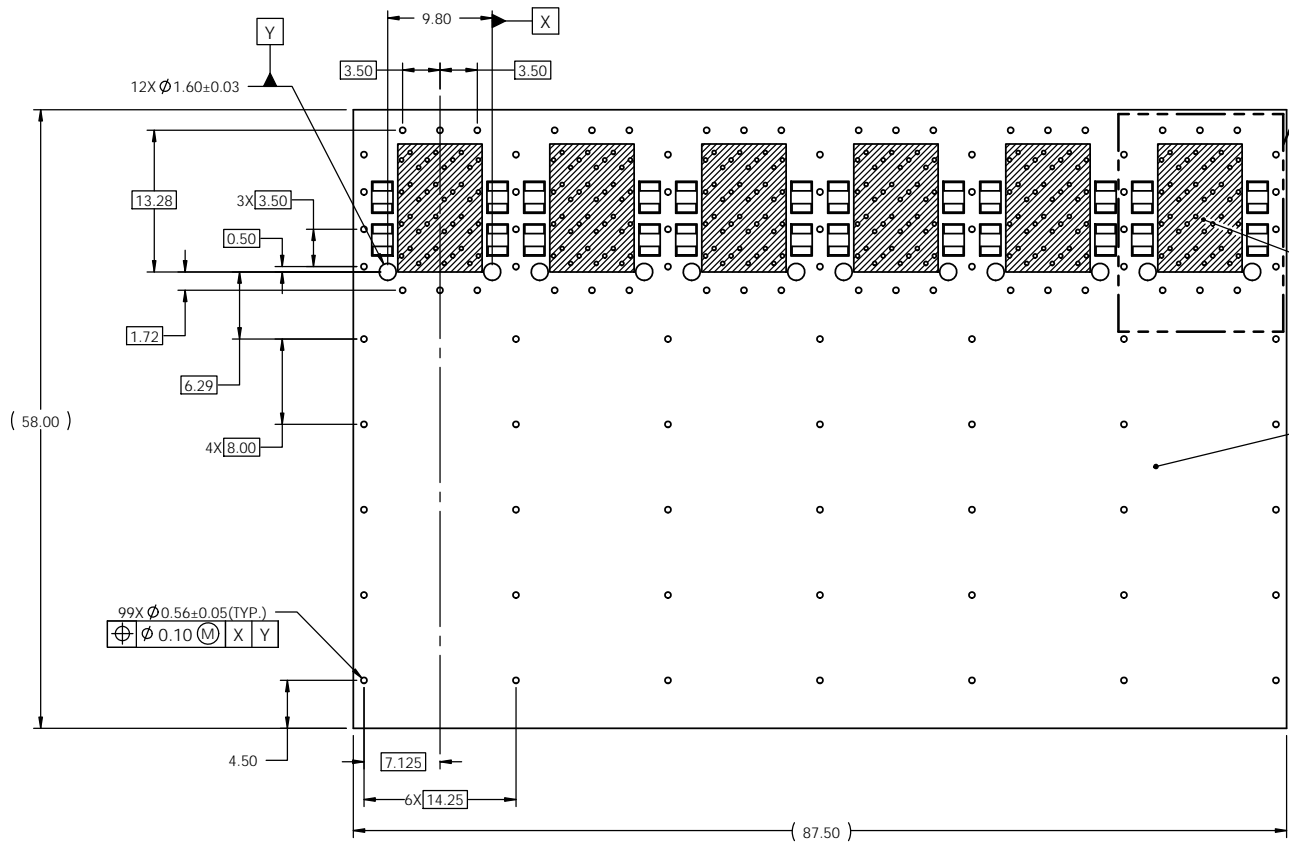


DETAIL D  
SCALE 2 : 1

THIS DOCUMENT CONTAINS PROPRIETARY INFORMATION AND SUCH INFORMATION MAY NOT BE DISCLOSED TO OTHERS FOR ANY PURPOSE OR USED FOR MANUFACTURING PURPOSES WITHOUT WRITTEN PERMISSION FROM AMPHENOL CANADA CORP.

UNLESS SPECIFIED OTHERWISE		DRAWN	P. OU	FEB10/14	<b>Amphenol High Speed Interconnects</b> A Division of Amphenol Corp. www.amphenolcanada.com  <b>2X6 SFP ULTRAPORT WITH LIGHT PIPE OPTIONS AND EMI GASKET VERSION</b>	DWG. NO. P-UE86-3G6420-X0X61 REV C
DIMENSIONS ARE IN MILLIMETERS		CHECKED	J. SI	FEB 12/14		
REFERENCE IN PARENTHESES		M.E. APP'D				
GENERAL TOLERANCES		Q.A. APP'D				
1 DECIMAL PLACE	±0.25	DWG APP'D	J. SI	FEB 12/14		
2 DECIMAL PLACE	±0.15	MATERIAL AND FINISH	SEE NOTES			
3 DECIMAL PLACE	N/A	REF.	ECN Exxxxx			
ANGULAR DEGREES	±1°	THIRD ANGLE PROJECTION	DO NOT SCALE DRAWING			
ENG. REL. NO.		CODE ID NO. 03554		DWG SIZE: A4	SCALE: 1:1	SHEET 3 OF 5

REVISIONS				
REV.	ECN	DESCRIPTION	DATE	APPROVED
A		INITIAL RELEASE	02/12/2014	J. SI
B		UPDATE PLATING OPTIONS	JUN 25/14	J.SI
C		UPDATE NOTES	AUG 19/14	J.SI



NOTES:  
 1. 0.56 mm DIAMETER HOLES ARE CHASSIS GROUND (99HOLES).

COMPONENT KEEP-OUT AREAS

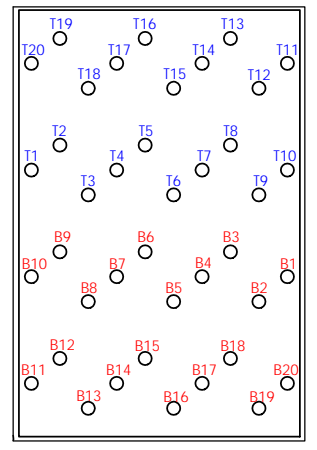
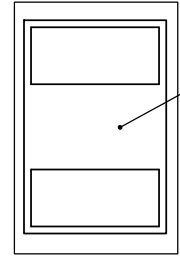
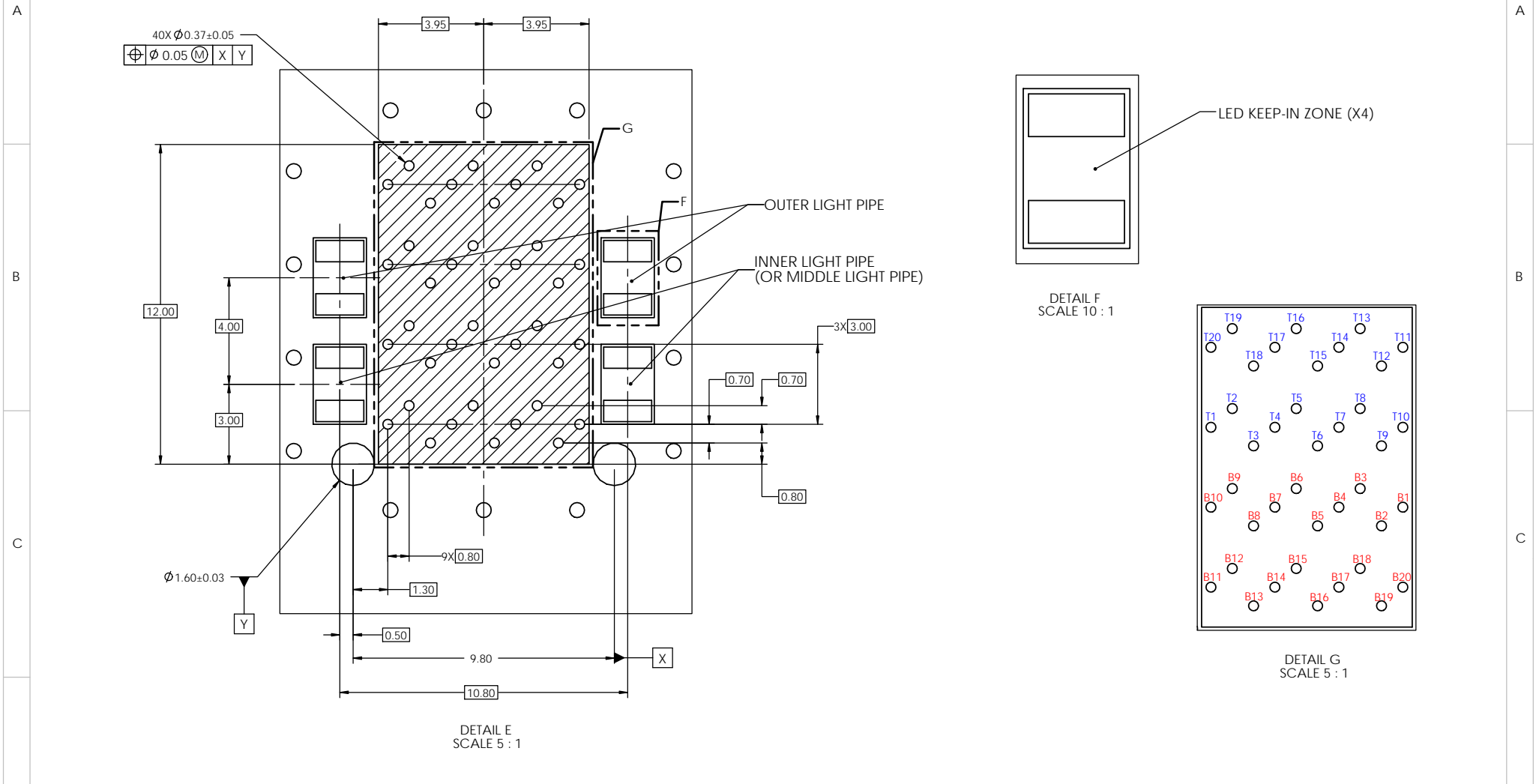
COMPONENT KEEP-OUT AREAS

**2X6 PCB LAYOUT**

THIS DOCUMENT CONTAINS PROPRIETARY INFORMATION AND SUCH INFORMATION MAY NOT BE DISCLOSED TO OTHERS FOR ANY PURPOSE OR USED FOR MANUFACTURING PURPOSES WITHOUT WRITTEN PERMISSION FROM AMPHENOL CANADA CORP.

UNLESS SPECIFIED OTHERWISE	DRAWN	P. OU	FEB10/14	<b>Amphenol High Speed Interconnects</b> A Division of Amphenol Corp. www.amphenolcanada.com  <b>2X6 SFP ULTRAPORT WITH LIGHT PIPE OPTIONS AND EMI GASKET VERSION</b>	DWG. NO. P-UE86-3G6420-XOX61 REV C
DIMENSIONS ARE IN MILLIMETERS	CHECKED	J. SI	FEB 12/14		
REFERENCE IN PARENTHESES	M.E. APP'D				
GENERAL TOLERANCES	Q.A. APP'D				
1 DECIMAL PLACE $\pm 0.25$	DWG APP'D	J. SI	FEB 12/14		
2 DECIMAL PLACE $\pm 0.15$	MATERIAL AND FINISH	SEE NOTES			
3 DECIMAL PLACE N/A	REF.	ECN Exxxxx			
ANGULAR DEGREES $\pm 1^\circ$	THIRD ANGLE PROJECTION				
ENG. REL. NO.				DO NOT SCALE DRAWING	

REVISIONS				
REV.	ECN	DESCRIPTION	DATE	APPROVED
A		INITIAL RELEASE	02/12/2014	J. SI
B		UPDATE PLATING OPTIONS	JUN 25/14	J.SI
C		UPDATE NOTES	AUG 19/14	J.SI



THIS DOCUMENT CONTAINS PROPRIETARY INFORMATION AND SUCH INFORMATION MAY NOT BE DISCLOSED TO OTHERS FOR ANY PURPOSE OR USED FOR MANUFACTURING PURPOSES WITHOUT WRITTEN PERMISSION FROM AMPHENOL CANADA CORP.

UNLESS SPECIFIED OTHERWISE DIMENSIONS ARE IN MILLIMETERS REFERENCE IN PARENTHESES GENERAL TOLERANCES 1 DECIMAL PLACE ±0.25 2 DECIMAL PLACE ±0.15 3 DECIMAL PLACE N/A ANGULAR DEGREES ±1° ENG. REL. NO.	DRAWN	P. OU	FEB10/14	<b>Amphenol High Speed Interconnects</b> A Division of Amphenol Corp. <a href="http://www.amphenolcanada.com">www.amphenolcanada.com</a>
	CHECKED	J. SI	FEB 12/14	
	M.E. APP'D			
	Q.A. APP'D			
	DWG APP'D	J. SI	FEB 12/14	<b>2X6 SFP ULTRAPORT WITH LIGHT PIPE OPTIONS AND EMI GASKET VERSION</b>
	MATERIAL AND FINISH	SEE NOTES		
	REF.	ECN Exxxxx		DWG. NO.
	THIRD ANGLE PROJECTION			<b>P-UE86-3G6420-X0X61</b>
	DO NOT SCALE DRAWING			CODE ID NO. 03554
				SHEET 5 OF 5