

U92 - A2X0 - 1X0X - XX

HEAT SINK OPTION

- 1 - NO HEAT SINK, NO CLIP
- 2 - FIN STYLE HEAT SINK (BLACK OXIDE) WITH CLIP
- 3 - FIN STYLE HEAT SINK (NICKEL PLATED) WITH CLIP

OPTIONAL DUST COVER

- 0 - NO DUST COVER
- D - WITH DUST COVER (SHIPPED BULK IN SAME BOX WITH CAGE & CONNECTOR ASSEMBLY)

MOUNTING SCREWS

- 0 - NO MOUNTING SCREWS SHIPPED
- 1 - WITH MOUNTING SCREWS M2 X 04 - 4.3 MM LONG SHIPPED BULK IN SAME TRAY WITH CAGE ASSEMBLIES

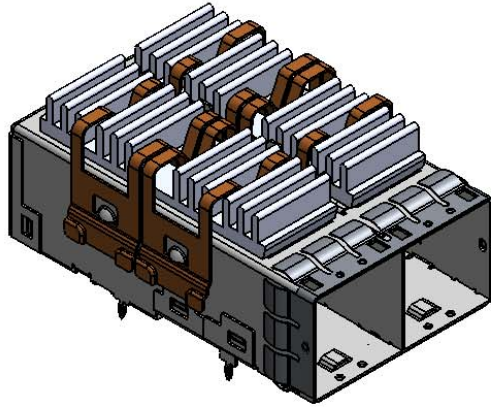
CONTACT PLATING

- 1 - MATING AREA PLATING: 0.76 µm GOLD OVER 2.54 µm OF NICKEL
PRESS FIT TAIL AREA PLATING: 0.76 µm TIN LEAD OVER 2.54 µm OF NICKEL
- 2 - MATING AREA PLATING: 0.38 µm GOLD OVER 2.54 µm OF NICKEL
PRESS FIT TAIL AREA PLATING: 0.76 µm TIN LEAD OVER 2.54 µm OF NICKEL
- 3 - MATING AREA PLATING: 0.76 µm GOLD OVER 1.27 µm TO 3.81 µm OF NICKEL
PRESS FIT TAIL AREA PLATING: 0.381 µm TO 1.52 µm OF MATTE TIN OVER 1.27 µm TO 3.81µm OF NICKEL

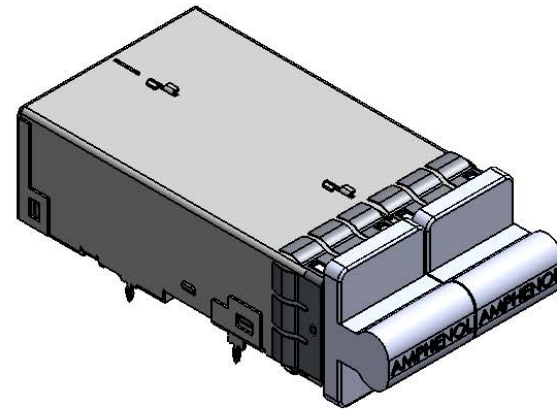
PACKAGING

- 1 - TRAY PACKAGING (HEAT SINKS AND CLIPS, IF ORDERED, PACKED IN SEPARATE TRAYS FROM CAGES)
- A - TRAY PACKAGING (CAGE & CONNECTOR ASSEMBLY SHIPPED WITH HEAT SINK AND CLIP ATTACHED)

REVISIONS			
REV.	DESCRIPTION	DATE	APPROVED
D	PART # CORRECTED IN ISO VIEWS	OCT 20/10	
E	ADDED PACKAGING NOTE	OCT 27/10	
F	LEAD FREE PLATING OPTION ADDED	JUN 04/11	
G	NOTES ADDED AND VIEW UPDATE	SEP 15/11	
H	TOLERANCES ADDED TO PCB HOLES	OCT 20/11	
J	DRAWING TITLES REVISED	OCT 21/11	
K	HEIGHT, LENGTH & WIDTH ADDED	JAN 24/12	ZLJ
L	AHSI DESIGNATION ADDED	MAY 15/12	ZLJ



PART # **U92-A220-100A-10** SHOWN
(CAGE & CONNECTOR ASSEMBLY WITH NO SCREWS, NO DUST COVER, WITH FIN-STYLE HEAT SINK)

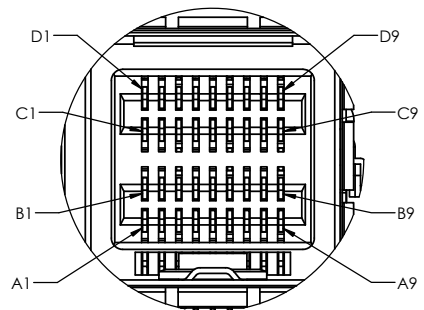


PART # **U92-A210-1D01-10** SHOWN
(CAGE & CONNECTOR ASSEMBLY WITH NO SCREWS AND NO HEAT SINK, WITH DUST COVER SHIPPED BULK)

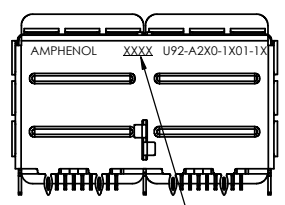
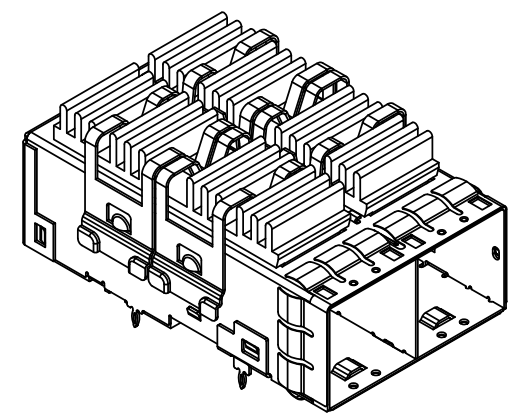
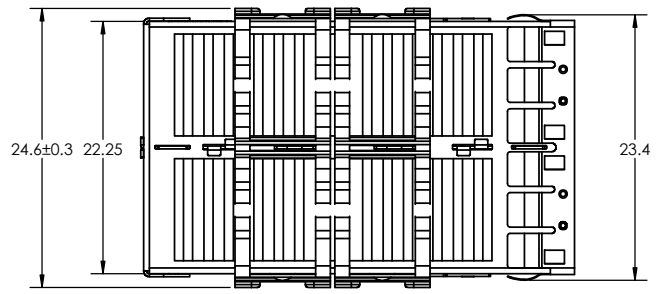


UNLESS OTHERWISE SPECIFIED: DIMENSIONS ARE IN MILLIMETERS TOLERANCES ARE:		APPROVAL	DATE	Amphenol High Speed Interconnects A Division of Amphenol Corp. www.amphenol-highspeed.com 8X MINI SAS HD CAGE AND CONNECTOR 2 PORT ASSEMBLY WITH HEAT SINK OPTION	
DECIMALS	ANGLES	DRAWN K.SOBEL	APR 28/10		
.X ±0.2	X° ±1°	CHECKED ZLJ	FEB 09/10	SIZE DWG. NO. P-U92-A2X0-1X0X-XX REV L	
.XX ±0.1	X.X° ±0.5°	QA APPR.			
		ME APPR.			
		DWG APPR. A.G.	FEB 09/10	SCALE: 1:1 PROJECT: HD SHEET 1 OF 4	
DO NOT SCALE DRAWING		ENG. REL. NO.			
		NSCM:			

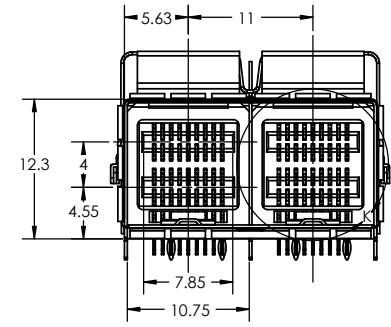
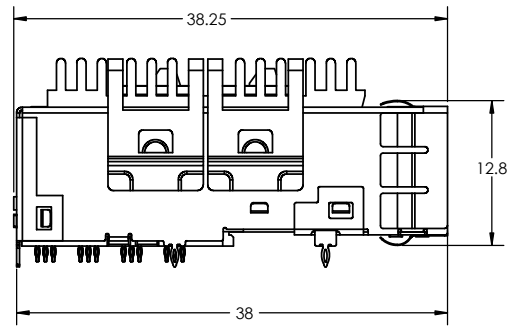
REVISIONS			
REV.	DESCRIPTION	DATE	APPROVED
L	SEE SHEET ONE	MAY 15/12	ZLJ



DETAIL K
SCALE 6 : 1



INK MARKING INFO:
FOUR (4) DIGIT DATE CODE AND PART NUMBER

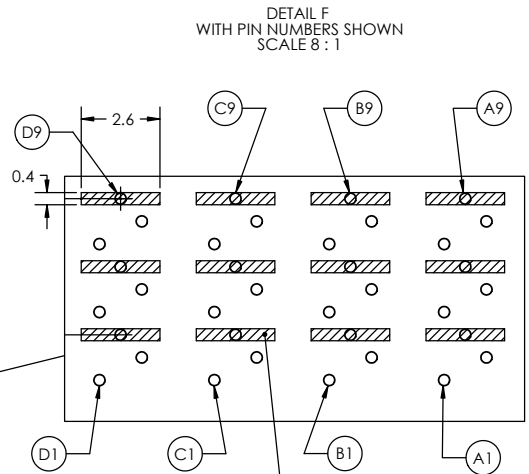
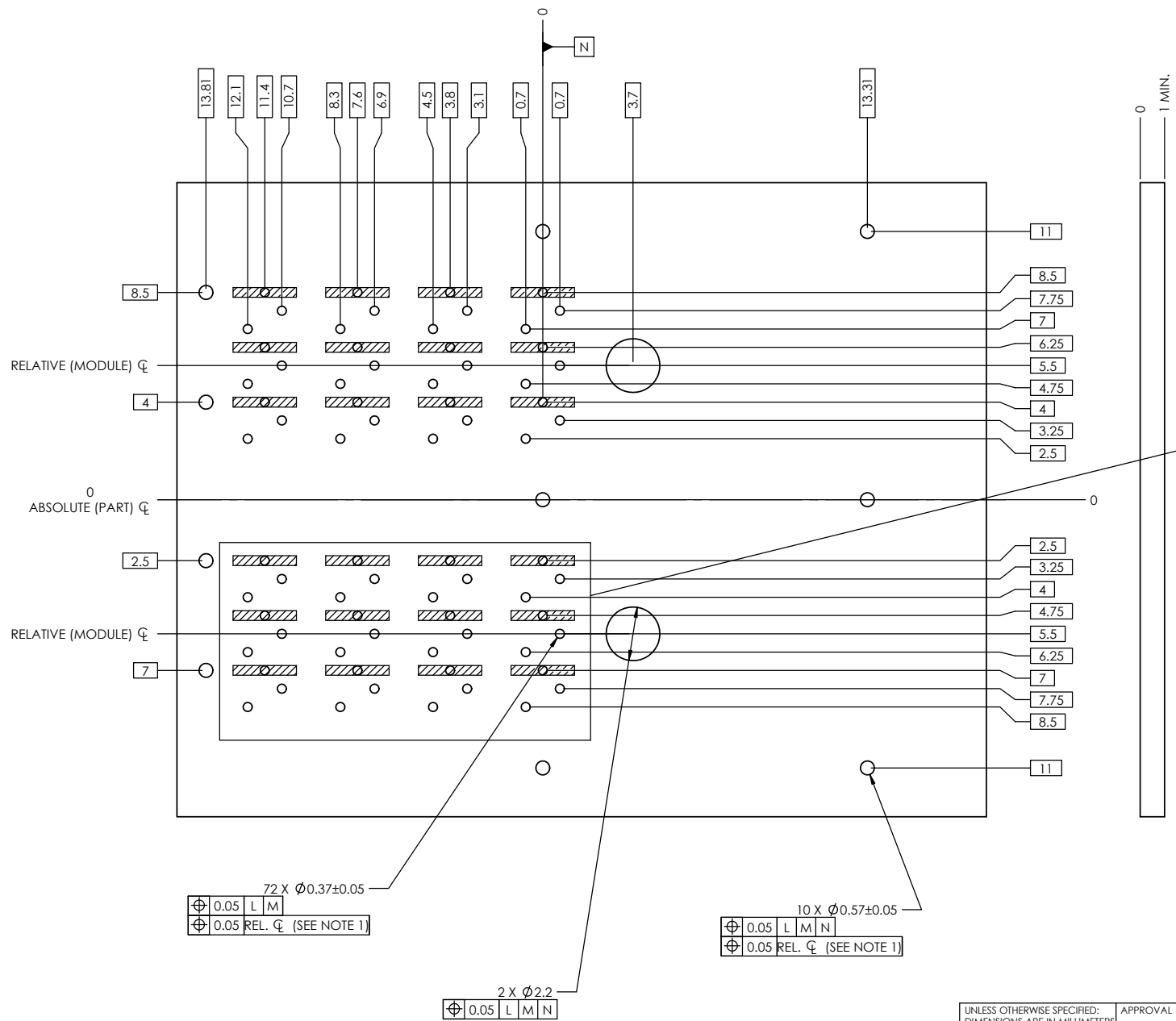


THIS DOCUMENT CONTAINS PROPRIETARY INFORMATION AND SUCH INFORMATION MAY NOT BE DISCLOSED TO OTHERS FOR ANY PURPOSE OR USED FOR MANUFACTURING PURPOSES WITHOUT WRITTEN PERMISSION FROM AMPHENOL CANADA CORP.

UNLESS OTHERWISE SPECIFIED: DIMENSIONS ARE IN MILLIMETERS TOLERANCES ARE:		APPROVAL	DATE
DECIMALS	ANGLES	DRAWN K.SOBEL	APR 28/10
.X ±0.2	X° ±1°	CHECKED ZLJ	FEB 09/10
.XX ±0.1	X.X° ±0.5°	QA APPR.	
		ME APPR.	
		DWG APPR. A.G.	FEB 09/10
DO NOT SCALE DRAWING		ENG. REL. NO.	
		NSCM:	

Amphenol High Speed Interconnects A Division of Amphenol Corp. www.amphenol-highspeed.com			
8X MINI SAS HD CAGE AND CONNECTOR 2 PORT ASSEMBLY WITH HEAT SINK OPTION			
SIZE	DWG. NO.	P-U92-A2X0-1X0X-XX	REV L
SCALE: 2:1	PROJECT: HD	SHEET 2 OF 4	

REVISIONS			
REV.	DESCRIPTION	DATE	APPROVED
L	SEE SHEET ONE	MAY 15/12	ZLJ



- NOTES:
1. ALL HOLES MUST FALL WITHIN POSITIONAL TOLERANCES RELATIVE TO INDIVIDUAL CONNECTOR ASSEMBLY AS WELL AS COMPLETED CAGE ASSEMBLY.
 2. DATUM M AND N ESTABLISHED BY CUSTOMER'S FUDICIAL.
 3. ALL HOLE DIMENSIONS DENOTE FINISHED HOLE SIZES.



72 X $\phi 0.37 \pm 0.05$			
$\phi 0.05$	L	M	
$\phi 0.05$	REL. Q (SEE NOTE 1)		

10 X $\phi 0.57 \pm 0.05$			
$\phi 0.05$	L	M	N
$\phi 0.05$	REL. Q (SEE NOTE 1)		

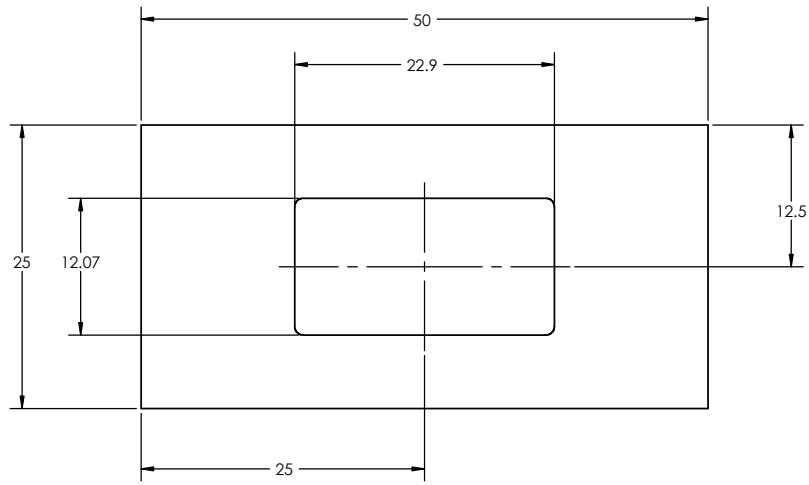
2 X $\phi 2.2$			
$\phi 0.05$	L	M	N

RECOMMENDED 2 PORT MOUNT
PCB LAYOUT
COMPONENT SIDE SHOWN

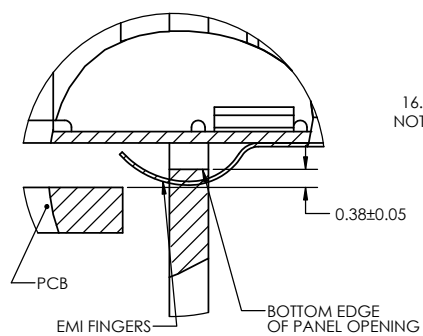
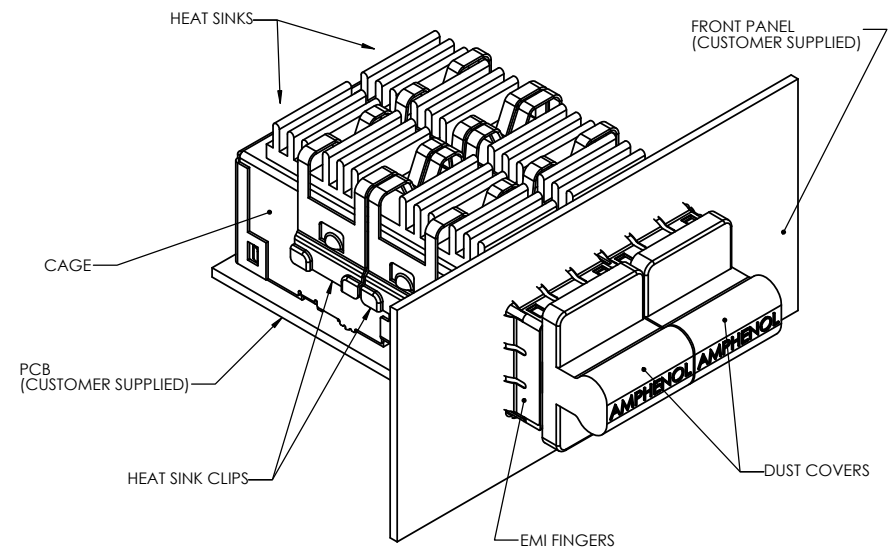
UNLESS OTHERWISE SPECIFIED: DIMENSIONS ARE IN MILLIMETERS TOLERANCES ARE:		APPROVAL	DATE
DRAWN	K.SOBEL		APR 28/10
CHECKED	ZLJ		FEB 09/10
QA APPR.			
ME APPR.			
DWG APPR.	A.G.		FEB 09/10
ENG. REL. NO.			
DO NOT SCALE DRAWING		NSCM:	

Amphenol High Speed Interconnects A Division of Amphenol Corp. www.amphenol-highspeed.com			
8X MINI SAS HD CAGE AND CONNECTOR 2 PORT ASSEMBLY WITH HEAT SINK OPTION			
SIZE	DWG. NO.	P-U92-A2X0-1X0X-XX	REV L
SCALE: 2:1	PROJECT: HD	SHEET 3 OF 4	

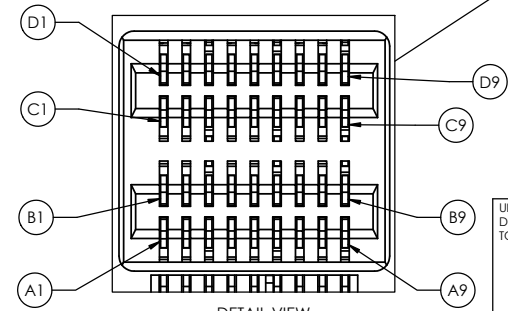
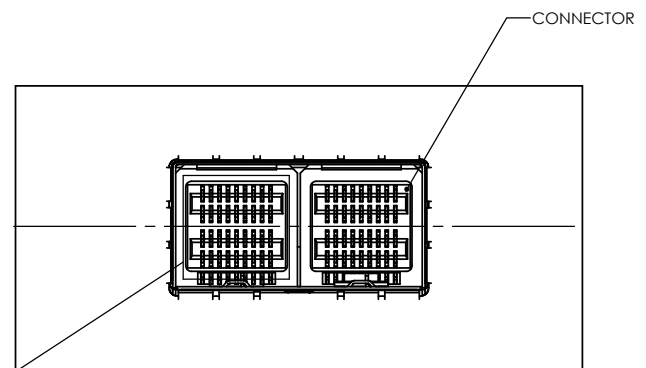
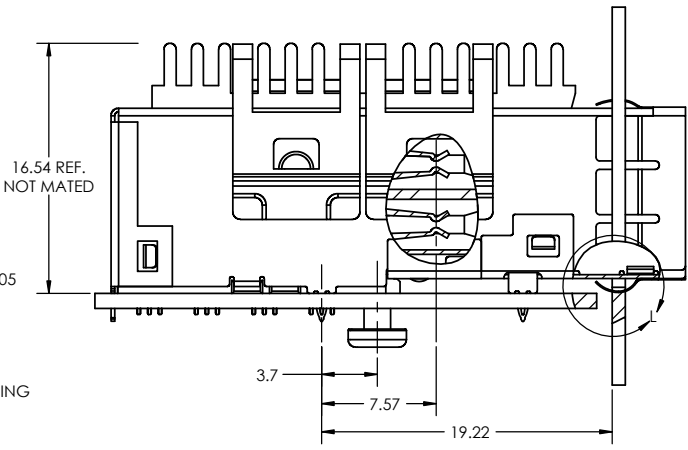
REVISIONS			
REV.	DESCRIPTION	DATE	APPROVED
L	SEE SHEET ONE	MAY 15/12	ZLJ



RECOMMENDED PANEL CUTOUT FOR **SINGLE LEVEL** MOUNTING



DETAIL L
SCALE 12 : 1



DETAIL VIEW
WITH PIN NUMBERS SHOWN
SCALE 8 : 1

- NOTES:
- MATERIAL
 - MAIN CAGE: PHOSPHOR BRONZE WITH NICKEL PLATING
 - MOUNTING SCREW: AISI 1010 STEEL
 - CONNECTOR HOUSING: LCP
 - CONTACTS: PHOSPHOR BRONZE, FOR PLATING INFO. SEE SHEET ONE
 - LIGHT PIPE: GE LEXAN, OPTICAL GRADE
 - HEAT SINK: ALUMINIUM

2) CONNECTOR AND CAGE ASSEMBLY ARE RoHS COMPLIANT



UNLESS OTHERWISE SPECIFIED: DIMENSIONS ARE IN MILLIMETERS TOLERANCES ARE:		APPROVAL	DATE
DECIMALS	ANGLES	DRAWN K.SOBEL	APR 28/10
.X ±0.2	X° ±1°	CHECKED ZLJ	FEB 09/10
.XX ±0.1	X.X° ±0.5°	QA APPR.	
		ME APPR.	
		DWG APPR. A.G.	FEB 09/10
DO NOT SCALE DRAWING		ENG. REL. NO.	
		NSCM:	

Amphenol High Speed Interconnects A Division of Amphenol Corp. www.amphenol-highspeed.com			
8X MINI SAS HD CAGE AND CONNECTOR 2 PORT ASSEMBLY WITH HEAT SINK OPTION			
SIZE	DWG. NO.	P-U92-A2X0-1X0X-XX	REV L
SCALE: 1:1	PROJECT: HD	SHEET 4 OF 4	