

AMPHENOL PART NUMBER CONFIGURATION

U 9 0 - B 3 0 5 - X X X 1 - X X 0

CAGE & CONNECTOR CONTACT PLATING

2 = 0.76 µm MIN. GOLD ON MATING AREA,
3.81-7.62 µm TIN/LEAD ON TERMINATION.
Ni PLATING FOR CAGE

3 = 0.38 µm MIN. GOLD ON MATING AREA,
3.81-7.62 µm TIN/LEAD ON TERMINATION.
Ni PLATING FOR CAGE

4 = 0.76 µm MIN. GOLD OVER 1.27-3.81 µm OF NICKEL
ON MATING AREA
0.381-1.52 µm OF MATTE TIN OVER 1.27-3.81
µm OF NICKEL ON PRESS FIT TAIL AREA.
Ni PLATING FOR CAGE
(RoHS COMPLIANT PER RoHS DIRECTIVE 2011/65/EU; OPTION 4 ONLY)

OPTIONAL DUST COVER

0 = WITHOUT DUST COVER
D = WITH DUST COVER

VENT HOLES AND EMI COVER

0 = WITH LARGE VENT HOLES & WITH EMI COVER
1 = WITH LARGE VENT HOLES, NO EMI COVER
2 = WITH SMALL VENT HOLES, WITH EMI COVER
3 = WITH SMALL VENT HOLES, NO EMI COVER
4 = WITH RECTANGULAR VENT HOLES & WITH EMI COVER
5 = WITH RECTANGULAR VENT HOLES, NO EMI COVER

EMI GASKET

1 = CHOMERICS 1273 CONDUCTIVE ELASTOMER
2 = CHOMERICS S6305 CONDUCTIVE ELASTOMER

OPTIONAL LIGHT PIPES

6 = WITH LIGHT PIPE (TRIANGULAR OUTLET)
LEFT ARROW POINTING BOTTOM PORT &
RIGHT ARROW POINTING TOP PORT
7 = WITHOUT LIGHT PIPE
8 = WITH LIGHT PIPE (REVERSED DIRECTION)
LEFT ARROW POINTING TOP PORT &
RIGHT ARROW POINTING BOTTOM PORT



REFERENCE VIEW FOR OPTION 6 ONLY

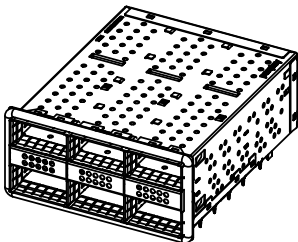


REFERENCE VIEW FOR OPTION 8 ONLY

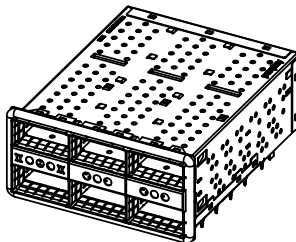
REVISIONS			
REV	DESCRIPTION, ECN, EAR NO.	DATE	APPD
E	PROPOSAL DRAWING	JUN 01/11	ZLJ
F	UPDATED WITH NEW PART NUMBERING SYSTEM	JUN 14/11	ZLJ
G	LEAD FREE CONTACT PLATING OPTION ADDED	JUL 04/11	ZLJ
H	U90-B305-X071-X10 NOW SHOWN CORRECTLY	OCT 07/11	
J	REVERSED LP CONFIGURATION ADDED	NOV 11/11	ZLJ
K	OTHER CONFIGURATION ADDED	JAN 24/12	ZLJ
L	HEAT SINK CONFIGURATION ADDED	MAY 10/12	KH
M	AHSI DESIGNATION ADDED	MAY 17/12	ZLJ
N	KEEP OUT AREA ADDED	OCT 31/12	ZLJ
P	RoHS DIRECTIVE ADDED&HEAT SINK OPT REMOVED	DEC 3/12	ZLJ

THIS IS A CAD DRAWING. DO NOT MANUALLY REVISE.

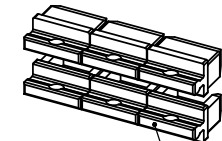
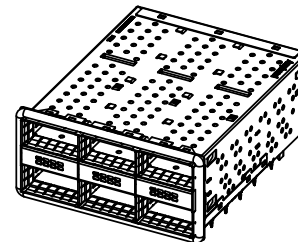
PART # U90-B305-X071-X30 SHOWN
(CAGE & CONNECTOR ASSEMBLY,
WITH DUST COVER AND WITHOUT LIGHT PIPE)



PART # U90-B305-X071-X10 SHOWN
(CAGE & CONNECTOR ASSEMBLY,
WITHOUT DUST COVER AND WITHOUT LIGHT PIPE)

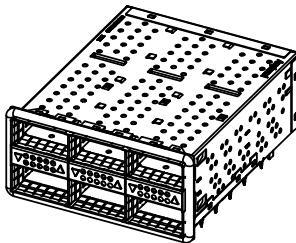


PART # U90-B305-X071-X50 SHOWN
(CAGE & CONNECTOR ASSEMBLY,
WITHOUT DUST COVER AND WITHOUT LIGHT PIPE)

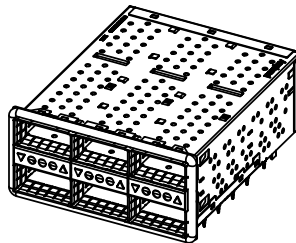


OPTIONAL DUST COVER
P/N U90-1401-800BP
(SHIPPED LOOSE)

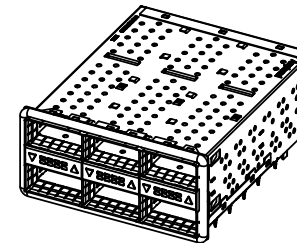
PART # U90-B305-X061-X30 SHOWN
(CAGE & CONNECTOR ASSEMBLY,
WITHOUT DUST COVER AND WITH LIGHT PIPE)



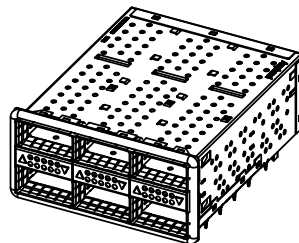
PART # U90-B305-X061-X10 SHOWN
(CAGE & CONNECTOR ASSEMBLY,
WITHOUT DUST COVER AND WITH LIGHT PIPE)



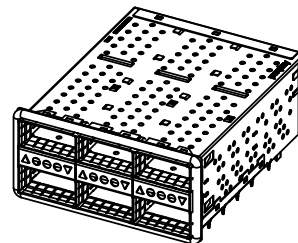
PART # U90-B305-X061-X50 SHOWN
(CAGE & CONNECTOR ASSEMBLY,
WITHOUT DUST COVER AND WITH LIGHT PIPE)



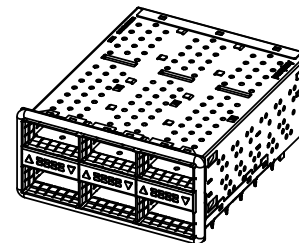
PART # U90-B305-X081-X30 SHOWN
(CAGE & CONNECTOR ASSEMBLY,
WITHOUT DUST COVER AND WITH LIGHT PIPE)



PART # U90-B305-X081-X10 SHOWN
(CAGE & CONNECTOR ASSEMBLY,
WITHOUT DUST COVER AND WITH LIGHT PIPE)



PART # U90-B305-X081-X50 SHOWN
(CAGE & CONNECTOR ASSEMBLY,
WITHOUT DUST COVER AND WITH LIGHT PIPE)



NOTES:

- MATERIAL
CAGE-PRESS FIT: COPPER ALLOY, NICKEL PLATED
CONNECTOR-PRESS FIT: PLASTIC HOUSING, FLAMMABILITY RATING UL94 V-0.
CONTACTS: PHOSPHOR BRONZE
PLATING OPTION: SEE AMPHENOL PART NO CONFIGURATION
EMI GASKET: CONDUCTIVE ELASTOMER
EMI FINGERS: PHOSPHOR BRONZE WITH NICKEL PLATING
LIGHT PIPE: GE LEXAN, OPTICAL GRADE
- CONNECTOR AND CAGE ASSEMBLY IS RoHS COMPLIANT.

THIS DOCUMENT CONTAINS PROPRIETARY INFORMATION AND SUCH INFORMATION MAY NOT BE DISCLOSED TO OTHERS FOR ANY PURPOSE OR USED FOR MANUFACTURING PURPOSES WITHOUT WRITTEN PERMISSION FROM AMPHENOL CANADA CORP.

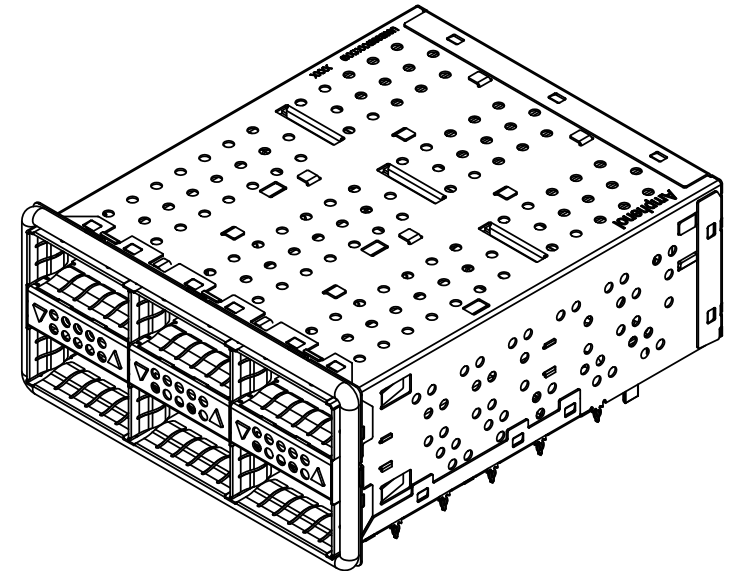
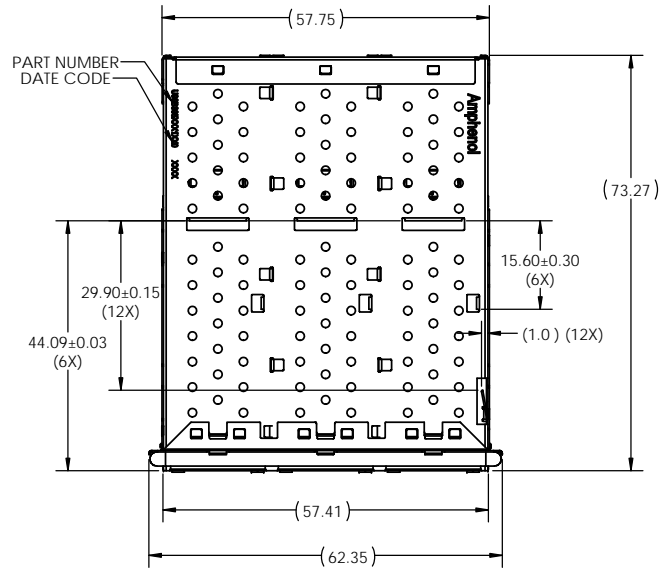
UNLESS SPECIFIED OTHERWISE	DRAWN	K.Haider	MAY12,11
PRIMARY UNITS	MILLIMETERS	CHECKED	Z. Ljubijanic
SECONDARY	MILLIMETERS	M.E. APPD	JUN01,11
REFERENCE IN PARENTHESES	Q.A. APPD		
GENERAL TOLERANCES	DWG APPR.		
1. DECIMAL PLACE	0.X ±0.25	ENG. REL. NO.	
2. DECIMAL PLACES	0.XX ±0.13	REF.	
3. ANGULAR DEGREES	X° ±1°	THIRD ANGLE PROJECTION	
4. ANGULAR DEGREES	X.X° ±0.5°	DO NOT SCALE DRAWING	

Amphenol High Speed Interconnects
A Division of Amphenol Corp. www.amphenol-highspeed.com

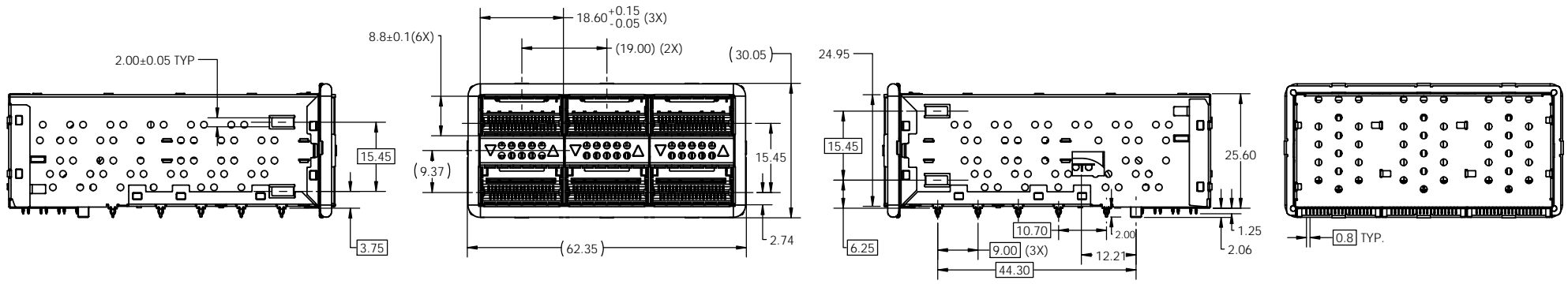
QSFP+ 2X3 STACKED COMBO

DWG. NO.	P-U90-B305-XXX1-XX0	REV	P
CODE ID NO.	03554	DWG SIZE:	C
SCALE:	4:1	SHEET	1 OF 4

REVISIONS			
REV	DESCRIPTION, ECN, EAR NO.	DATE	APP'D
P	SEE PAGE 1	DEC 3/12	ZLJ



PART # U90-B305-X061-X30 SHOWN



UNLESS SPECIFIED OTHERWISE	DRAWN	K.Haider	MAY12,11
PRIMARY UNITS MILLIMETERS	CHECKED	Z. Ljubijankic	JUN01,11
SECONDARY MILLIMETERS	M.E. APP'D		
REFERENCE IN PARENTHESES	Q.A. APP'D		
GENERAL TOLERANCES	DWG APPR.		
1. DECIMAL PLACE 0.X±0.25	ENG. REL. NO.		
2. DECIMAL PLACES 0.XX±0.13	REF.		
3. ANGULAR DEGREES X°±1°	THIRD ANGLE PROJECTION		
4. ANGULAR DEGREES X.X°±0.5°	DO NOT SCALE DRAWING		

Amphenol High Speed Interconnects
 A Division of Amphenol Corp. www.amphenol-highspeed.com

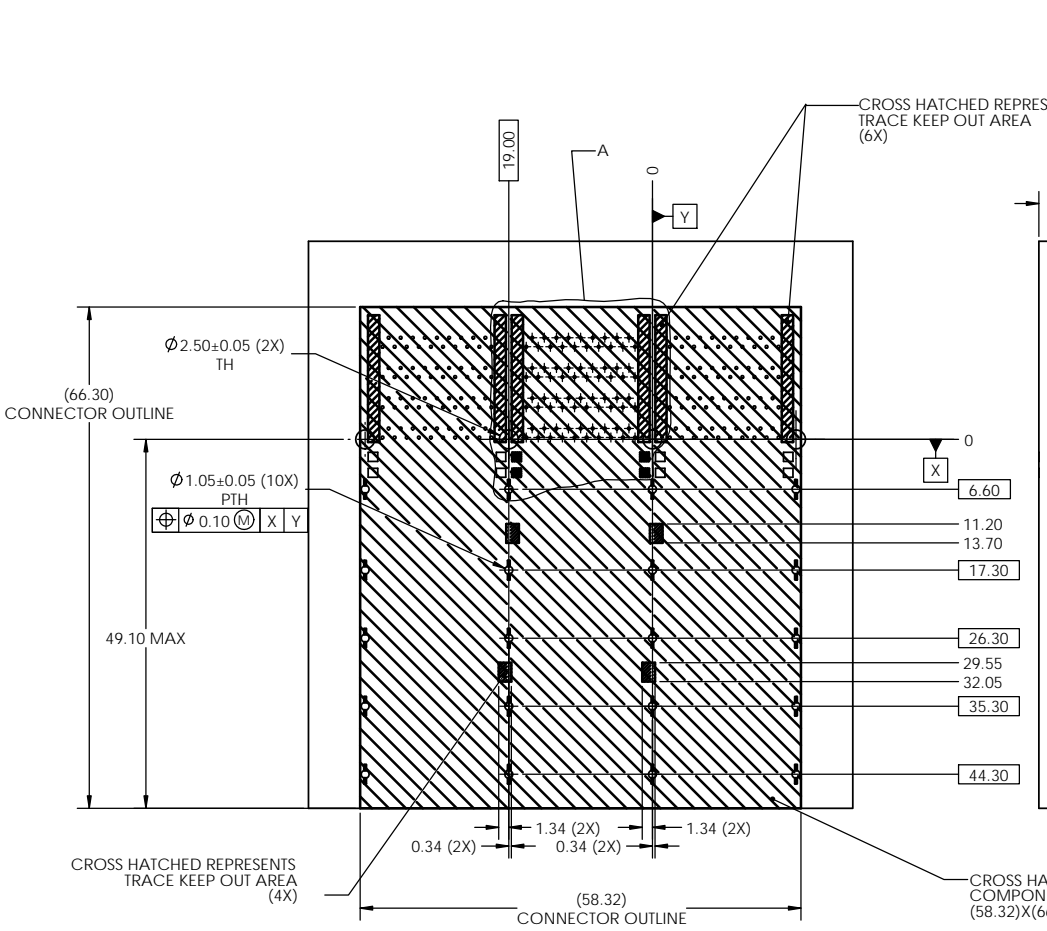
QSFP+ 2X3 STACKED COMBO

DWG. NO. **P-U90-B305-XXX1-XX0** REV **P**

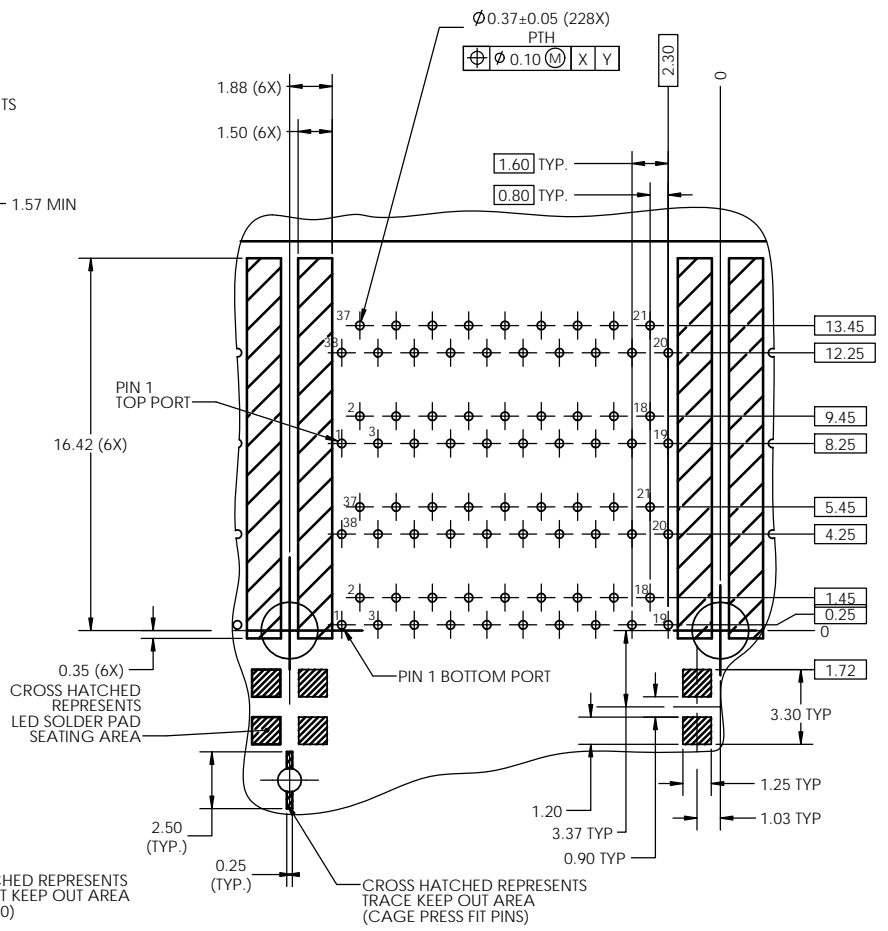
CODE ID NO. 03554 DWG SIZE: C SCALE: 4:1 SHEET 2 OF 4

THIS DOCUMENT CONTAINS PROPRIETARY INFORMATION AND SUCH INFORMATION MAY NOT BE DISCLOSED TO OTHERS FOR ANY PURPOSE OR USED FOR MANUFACTURING PURPOSES WITHOUT WRITTEN PERMISSION FROM AMPHENOL CANADA CORP.

REVISIONS			
REV	DESCRIPTION, ECN, EAR NO.	DATE	APP'D
P	SEE PAGE 1	DEC 3/12	ZLJ



RECOMMENDED PCB BOARD LAYOUT
COMPONENT SIDE SHOWN



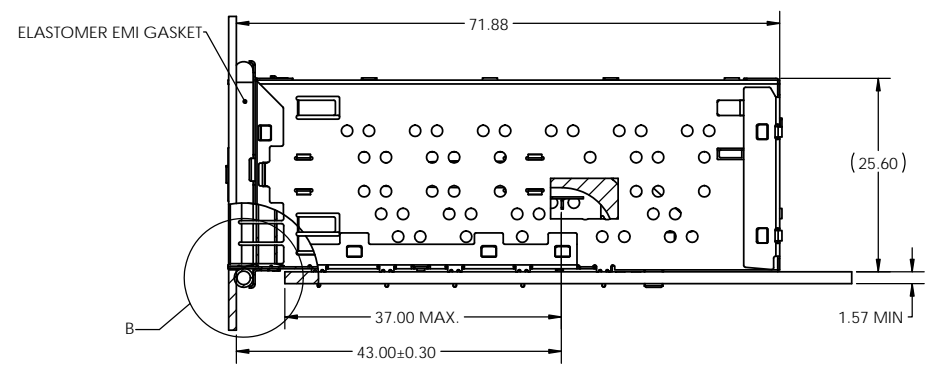
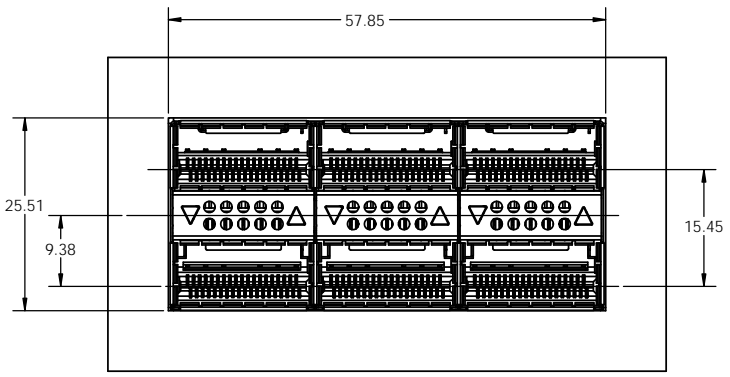
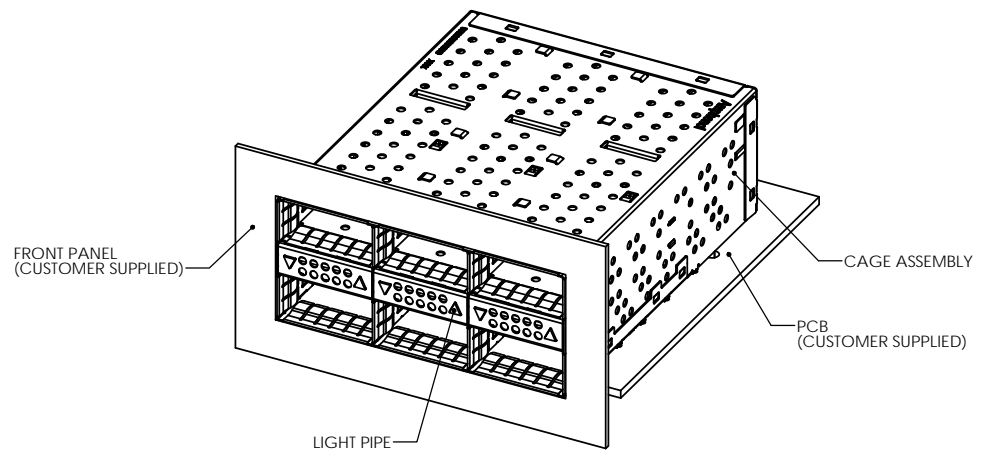
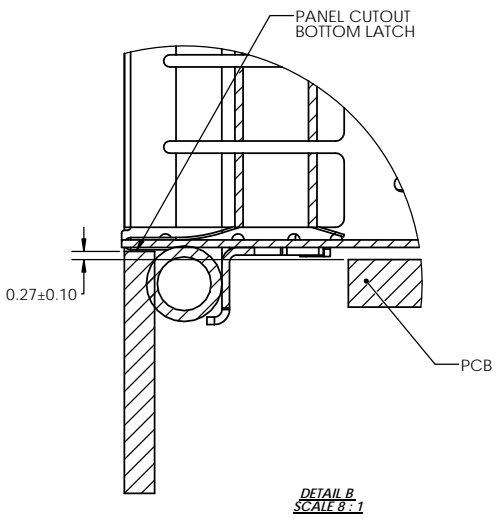
DETAIL A
SCALE 6:1

THIS DOCUMENT CONTAINS PROPRIETARY INFORMATION AND SUCH INFORMATION MAY NOT BE DISCLOSED TO OTHERS FOR ANY PURPOSE OR USED FOR MANUFACTURING PURPOSES WITHOUT WRITTEN PERMISSION FROM AMPHENOL CANADA CORP.

UNLESS SPECIFIED OTHERWISE	DRAWN	K.Haider	MAY12,11	Amphenol High Speed Interconnects A Division of Amphenol Corp. www.amphenol-highspeed.com
PRIMARY UNITS MILLIMETERS	CHECKED	Z. Ljubijankic	JUN01,11	
SECONDARY MILLIMETERS	M.E. APP'D			
REFERENCE IN PARENTHESES	Q.A. APP'D			
GENERAL TOLERANCES	DWG APPR.			QSFP+ 2X3 STACKED COMBO
1. DECIMAL PLACE 0.X ± 0.25	ENG. REL. NO.			
2. DECIMAL PLACES 0.XX ± 0.13	REF.			
3. ANGULAR DEGREES X° ± 1°	THIRD ANGLE PROJECTION			
4. ANGULAR DEGREES X.X° ± 0.5°	DO NOT SCALE DRAWING			DWG. NO. P-U90-B305-XXX1-XX0
				CODE ID NO. 03554 DWG SIZE: C SCALE: 4:1 SHEET 3 OF 4

REV
P

REVISIONS			
REV	DESCRIPTION, ECN, EAR NO.	DATE	APP'D
P	SEE PAGE 1	DEC 3/12	ZLJ



THIS DOCUMENT CONTAINS PROPRIETARY INFORMATION AND SUCH INFORMATION MAY NOT BE DISCLOSED TO OTHERS FOR ANY PURPOSE OR USED FOR MANUFACTURING PURPOSES WITHOUT WRITTEN PERMISSION FROM AMPHENOL CANADA CORP.

UNLESS SPECIFIED OTHERWISE	DRAWN	K.Haider	MAY12,11
PRIMARY UNITS MILLIMETERS	CHECKED	Z. Ljubijankic	JUN01,11
SECONDARY MILLIMETERS	M.E. APP'D		
REFERENCE IN PARENTHESES	Q.A. APP'D		
GENERAL TOLERANCES	DWG APPR.		
1. DECIMAL PLACE 0.X±0.25	ENG. REL. NO.		
2. DECIMAL PLACES 0.XX±0.13	REF.		
3. ANGULAR DEGREES X°±1°	THIRD ANGLE PROJECTION		
4. ANGULAR DEGREES X.X°±0.5°	DO NOT SCALE DRAWING		

Amphenol High Speed Interconnects
A Division of Amphenol Corp. www.amphenol-highspeed.com

QSFP+ 2X3 STACKED COMBO

DWG. NO. **P-U90-B305-XXX1-XX0** REV **P**

CODE ID NO. 03554 DWG SIZE: C SCALE: 4:1 SHEET 4 OF 4