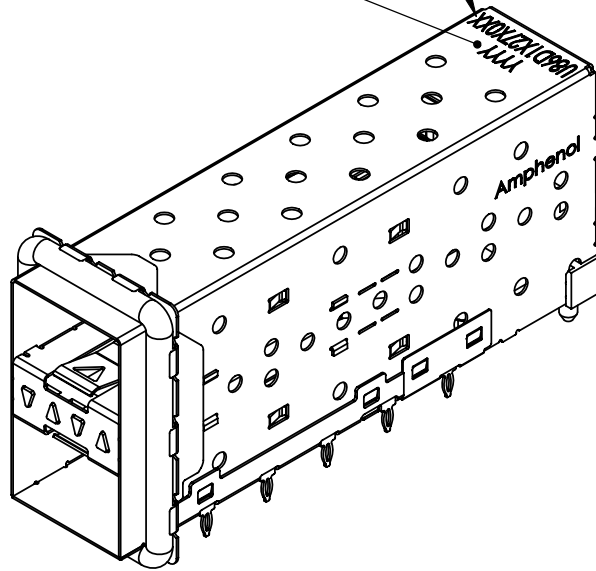




PART NUMBER
(LAST DIGIT INDICATING
PACKAGING TYPE, NOT
PRINTED ON THE PART)

DATE CODE



AMPHENOL PART NUMBER CONFIGURATION

U86 - D 1 4 2 7 - X 0 X X 1

LIGHT PIPE CONFIGURATION

- 1 = 4 LIGHT PIPES
- 2 = 2 INNER LIGHT PIPES
- 3 = 2 OUTER LIGHT PIPES

PRESS FIT CONNECTOR PLATING

- 1 = 0.76 µm MIN. GOLD ON MATING AREA
- 3.81-7.62 µm TIN/LEAD ON TERMINATION
- 4 = 0.38 µm MIN. GOLD ON MATING AREA
- 3.81-7.62 µm TIN/LEAD ON TERMINATION

PACKAGING

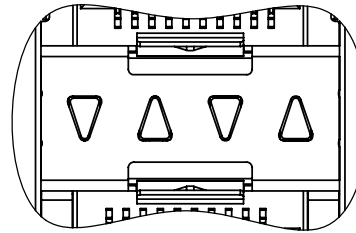
- 1 = TRAY

CAGE PLATING

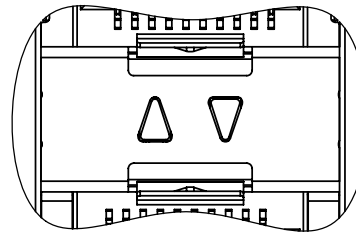
- 2 = NICKEL

DO NOT SCALE DRAWING

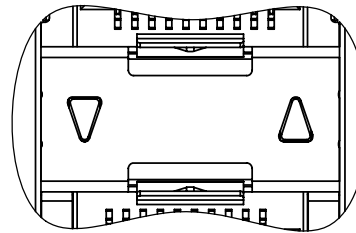
THIS DOCUMENT CONTAINS PROPRIETARY INFORMATION AND SUCH INFORMATION MAY NOT BE DISCLOSED TO OTHERS FOR ANY PURPOSE OR USED FOR MANUFACTURING PURPOSES WITHOUT PERMISSION FROM AMPHENOL CANADA CORP.



U86-D1427-10XX1
4 LIGHT PIPES



U86-D1427-20XX1
2 INNER PIPES



U86-D1427-30XX1
2 OUTER PIPES

REVISIONS			
REV	DESCRIPTION	DATE	APPRD
A	PROPOSAL DRAWING	MAY27/09	

NOTES:

MATERIAL:

CAGE - PRESS FIT:
COPPER ALLOY

PLATING:
SEE AMPHENOL PART NUMBER
CONFIGURATION FOR OPTIONS.

CONNECTOR - PRESS FIT:

PLASTIC HOUSING:
LCP, FLAMMABILITY RATING UL94-0.

CONTACTS:
PHOSPHOR BRONZE PLATING OPTION:
NICKEL 2.54 µm MIN.

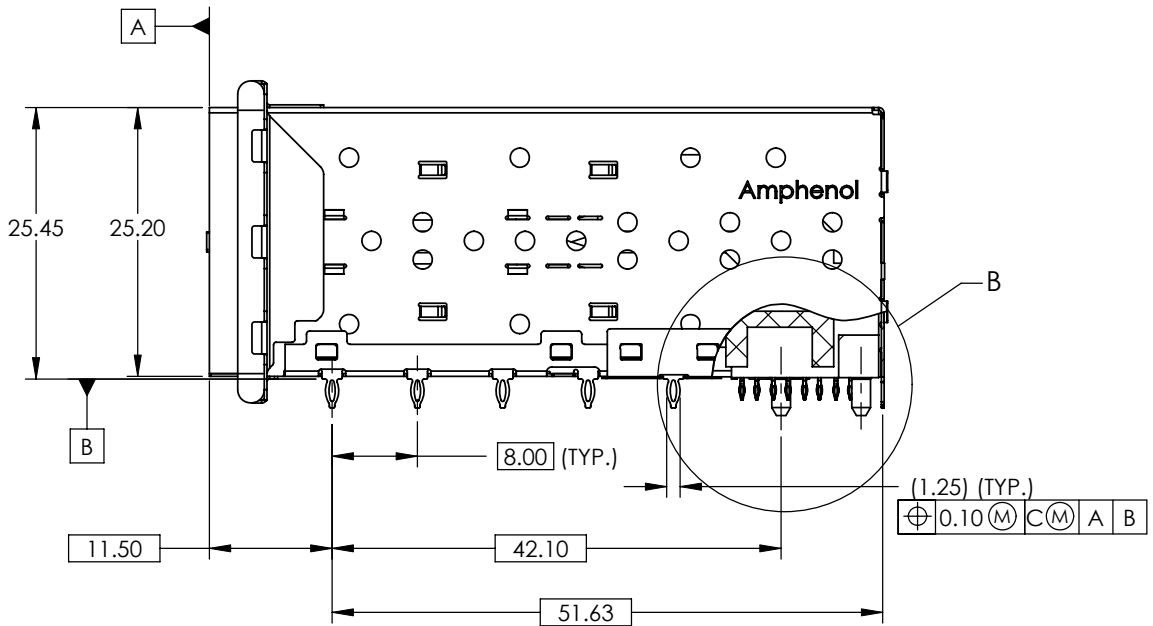
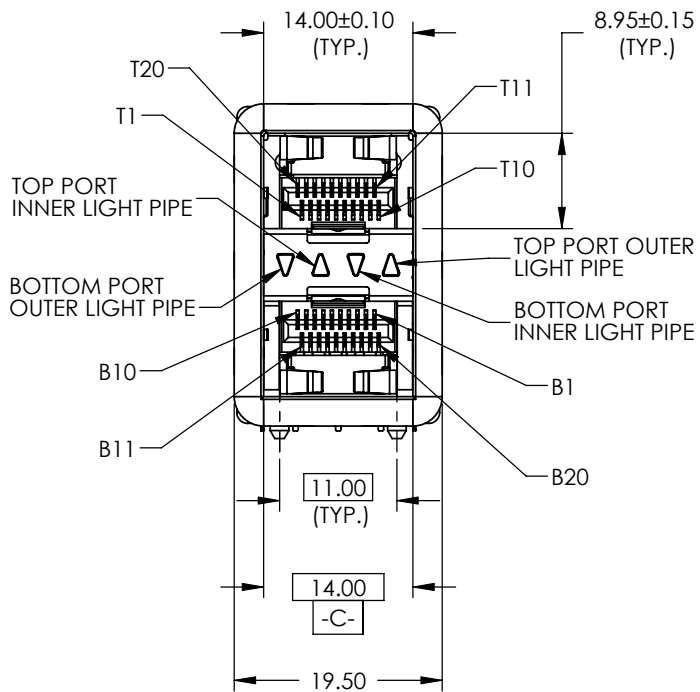
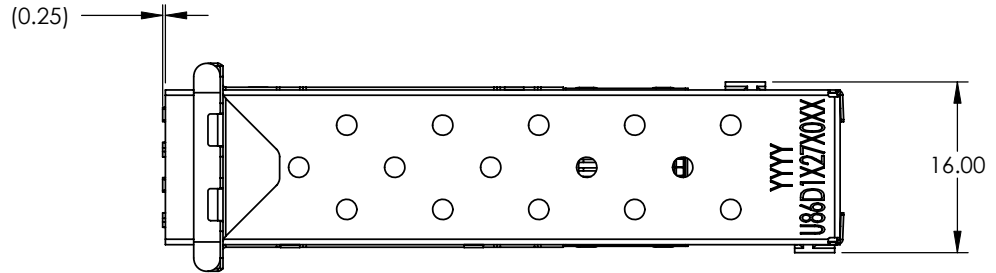
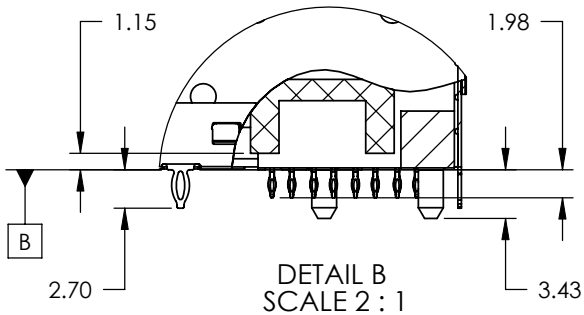
LIGHT PIPE:
CLEAR POLYCARBONATE, FLAMMABILITY
RATING UL94-0.

PACKAGING:
TRAY PACKAGING.

TEMPERATURE RANGE:
-40°C TO +85°C

UNLESS OTHERWISE SPECIFIED DIMENSIONS ARE IN MILLIMETERS TOLERANCES ARE:	APPROVALS		DATE		Amphenol Canada Corp. TITLE 2X1 SFP+ ULTRA-PORT COMBO WITH LIGHT PIPE (ELASTOMERIC EMI GASKET)	
	DECIMALS	ANGLES	DRAWN	J.SI		FEB23/09
	X.X ± 0.25	± 1°	DESIGNED	J.SI		FEB23/09
	X.XX ± 0.15		CHECKED	X		X
	MATERIAL AND FINISH		QA APPD	X		X
REF.	X	IE APPD	X	X	SIZE A4	
CODE IDENT. NO.	03554	DWG APPD			SCALE 3:2	
				PROJECT	SHEET 1 OF 4	

REVISIONS			
REV	DESCRIPTION	DATE	APPRD
A	PROPOSAL DRAWING	MAY27/09	



DO NOT SCALE DRAWING

THIS DOCUMENT CONTAINS PROPRIETARY INFORMATION AND SUCH INFORMATION MAY NOT BE DISCLOSED TO OTHERS FOR ANY PURPOSE OR USED FOR MANUFACTURING PURPOSES WITHOUT PERMISSION FROM AMPHENOL CANADA CORP.

UNLESS OTHERWISE SPECIFIED DIMENSIONS ARE IN MILLIMETERS TOLERANCES ARE:

DECIMALS ANGLES
 X.X ± 0.25 ± 1°
 X.XX ± 0.15

MATERIAL AND FINISH

N/A

REF.

X

CODE IDENT. NO.

03554

APPROVALS

DRAWN J.SI

DESIGNED J.SI

CHECKED X

QA APPD X

IE APPD X

DWG APPD

DATE

FEB23/09

FEB23/09

X

X

X

X

Amphenol Canada Corp.

TITLE

2X1 SFP+ ULTRA-PORT COMBO WITH LIGHT PIPE (ELASTOMERIC GASKET)

SIZE

A4

DWG. NO.

P-U86-D1427-X0XX1

REV.

A

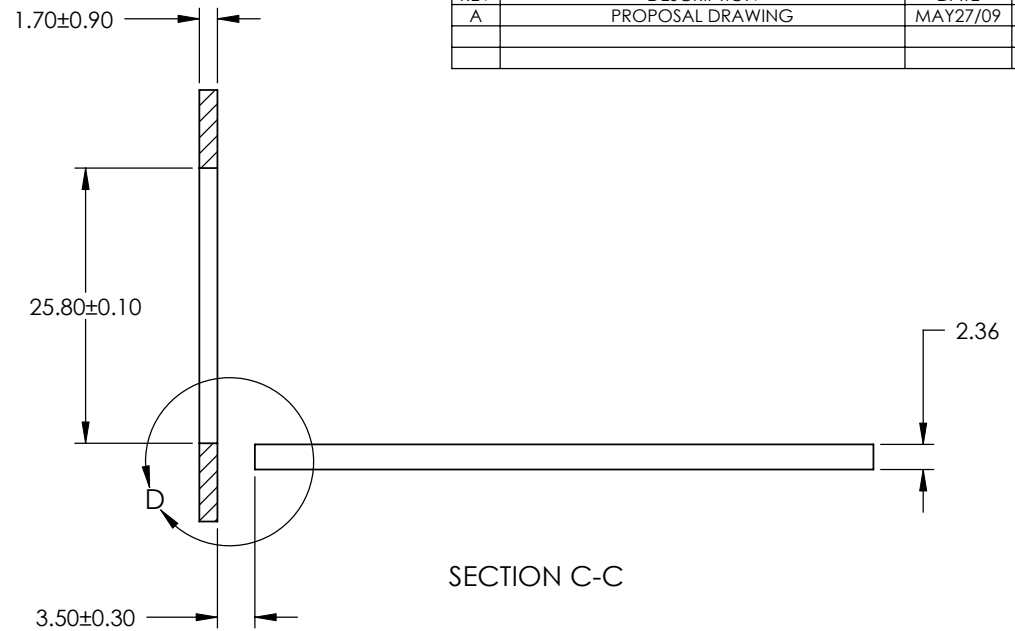
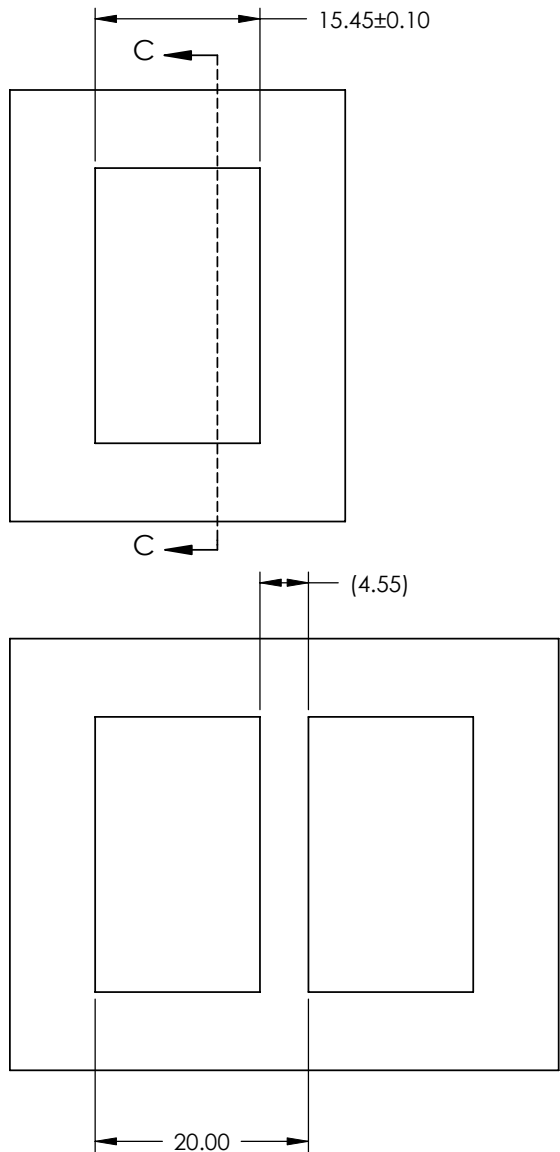
SCALE

1.5:1

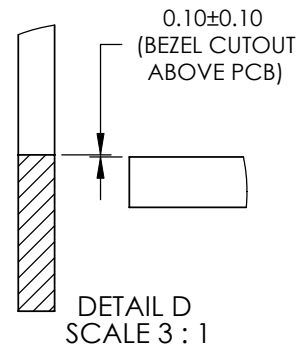
PROJECT

SHEET

2 OF 4



SECTION C-C



DETAIL D
SCALE 3 : 1

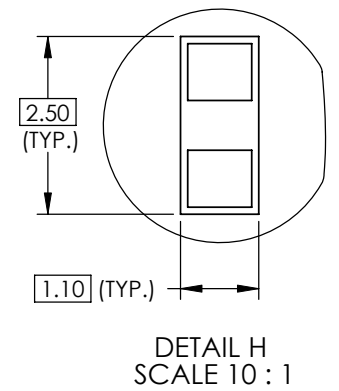
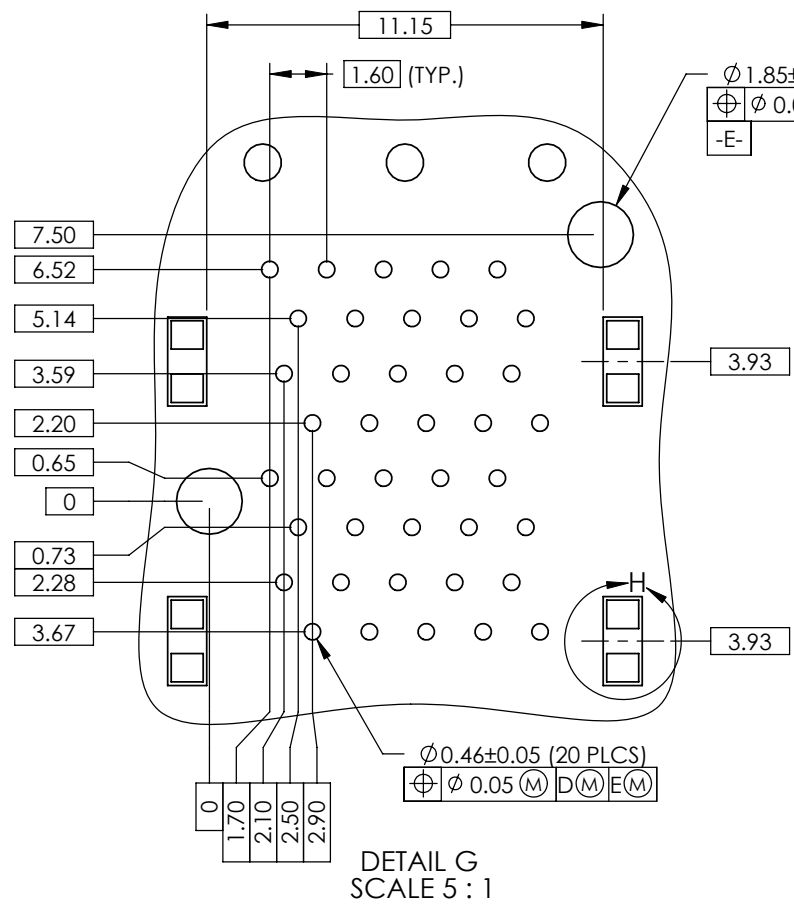
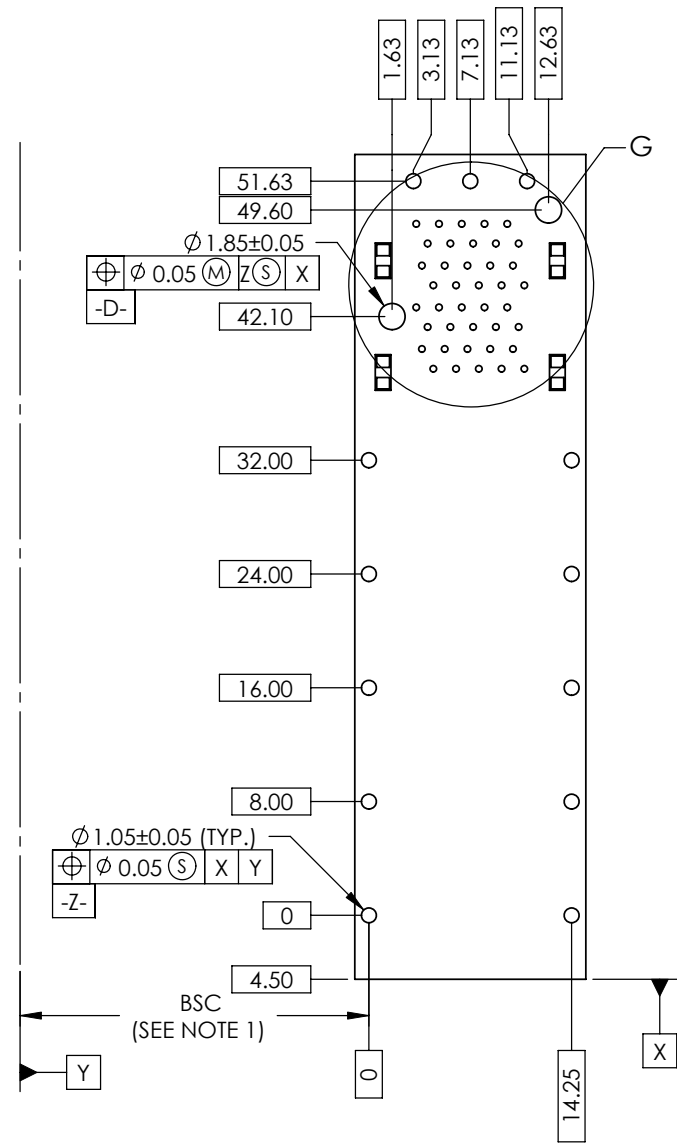
REVISIONS			
REV	DESCRIPTION	DATE	APPRD
A	PROPOSAL DRAWING	MAY27/09	

UNLESS OTHERWISE SPECIFIED DIMENSIONS ARE IN MILLIMETERS TOLERANCES ARE: DECIMALS ANGLES X.X ± 0.25 ± 1° X.XX ± 0.15 MATERIAL AND FINISH N/A REF. X CODE IDENT. NO. 03554	APPROVALS		DATE	Amphenol Canada Corp. TITLE 2X1 SFP+ ULTRA-PORT COMBO WITH LIGHT PIPE (ELASTOMERIC GASKET) SIZE A4 DWG. NO. P-U86-D1427-X0XX1 REV. A SCALE 3:2 PROJECT SHEET 3 OF 4
	DRAWN	J.SI	FEB23/09	
	DESIGNED	J.SI	FEB23/09	
	CHECKED	X	X	
	QA APPD	X	X	
	IE APPD	X	X	
	DWG APPD			

DO NOT SCALE DRAWING

THIS DOCUMENT CONTAINS PROPRIETARY INFORMATION AND SUCH INFORMATION MAY NOT BE DISCLOSED TO OTHERS FOR ANY PURPOSE OR USED FOR MANUFACTURING PURPOSES WITHOUT PERMISSION FROM AMPHENOL CANADA CORP.

REVISIONS			
REV	DESCRIPTION	DATE	APPRD
A	PROPOSAL DRAWING	MAY27/09	



- NOTES:
- DATUM AND BASIC DIMENSIONS ESTABLISHED BY CUSTOMER.
 - 1.05 mm DIAMETER HOLES ARE CHASSIS GROUND (13 HOLES).

DO NOT SCALE DRAWING

THIS DOCUMENT CONTAINS PROPRIETARY INFORMATION AND SUCH INFORMATION MAY NOT BE DISCLOSED TO OTHERS FOR ANY PURPOSE OR USED FOR MANUFACTURING PURPOSES WITHOUT PERMISSION FROM AMPHENOL CANADA CORP.

UNLESS OTHERWISE SPECIFIED DIMENSIONS ARE IN MILLIMETERS TOLERANCES ARE:		APPROVALS		DATE	Amphenol Canada Corp.	
DECIMALS	ANGLES	DRAWN	J.SI	FEB23/09		
X.X ± 0.25	± 1°	DESIGNED	J.SI	FEB23/09	TITLE	
X.XX ± 0.15		CHECKED	X	X	2X1 SFP+ ULTRA-PORT COMBO WITH LIGHT PIPE (ELASTOMERIC GASKET)	
MATERIAL AND FINISH	N/A	QA APPD	X	X		
REF.	X	IE APPD	X	X	SIZE	A4
CODE IDENT. NO.	03554	DWG APPD			DWG. NO.	P-U86-D1427-X0XX1
					SCALE	2:1
					PROJECT	
					SHEET	4 OF 4