

This document is the property of Amphenol Corporation and is delivered on the express condition that it is not to be disclosed, reproduced or used, in whole or in part, for manufacture or sale by anyone other than Amphenol Corporation without its prior consent, and that no right is granted to disclose or to use any information in this document.

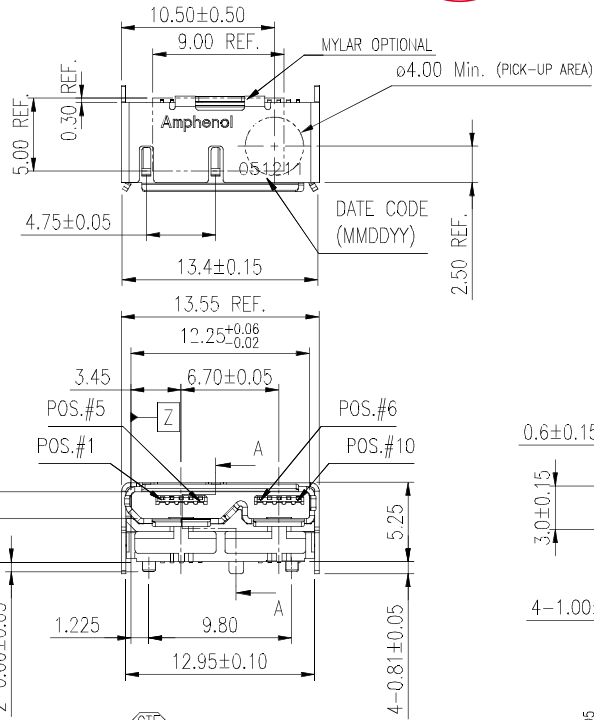
The marking on this product doesn't contain environmental hazardous material and must follow one or more specifications per Material Specification SS-00259 for Sony GP compliant or per directive 2011/65/EC for RoHS compliant or per IEC 61249-2-21 for Halogen Free compliant.



ORIGINAL



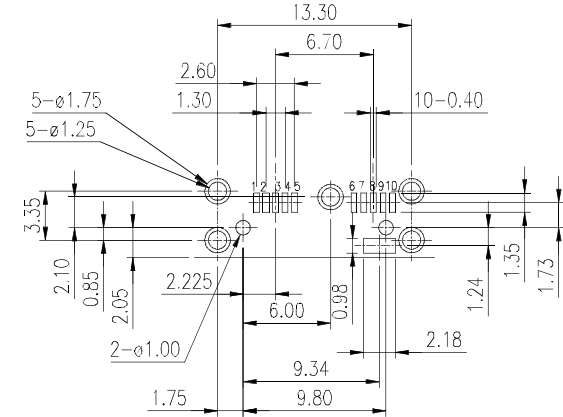
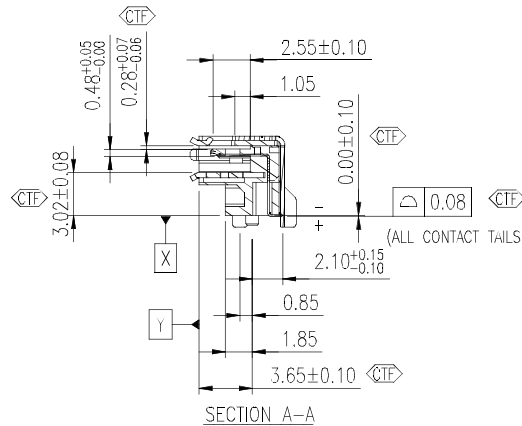
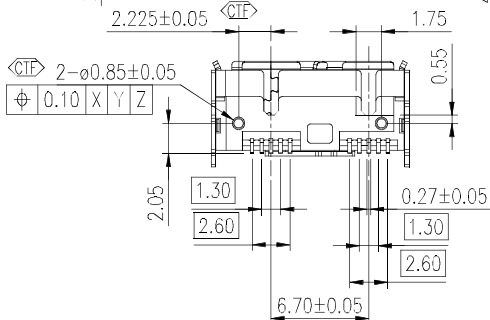
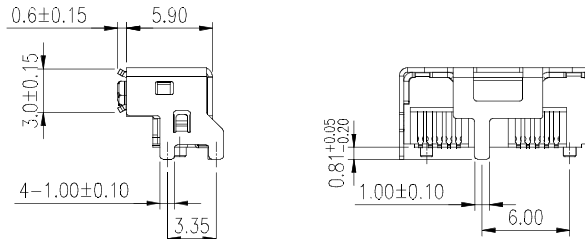
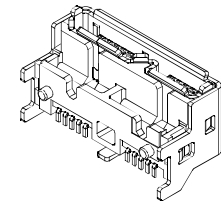
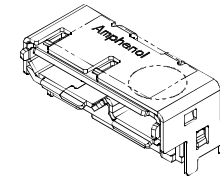
REVISIONS				
SYM	ECN No.	DESCRIPTION	DATE	BY
A	NE-14122	RELEASE TO PRODUCTION	06/20/2014	Sondra Sang



PART NUMBER:
GSB4 43T 3 3 X HR

CONTACT FINISH: 3: 30µ" GOLD

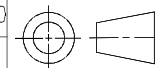
VARIATION CODE:
BLANK: STANDARD T&R PACKING
A: W/ MYLAR, T&R PACKING



RECOMMENDED PCB LAYOUT - TOP VIEW
(GENERAL TOLERANCE: ±0.05)

- NOTES:
- HOUSING: HIGH TEMP. THERMOPLASTIC, UL 94V-0, COLOR- BLACK
 - CONTACT: COPPER ALLOY, 0.15mm THICKNESS, 30µ" MIN. GOLD PLATED ON CONTACT AREA, 150µ" MATTE TIN PLATED ON SOLDERING TAIL, 80µ" MIN. NICKEL UNDER-PLATED OVERALL
 - INNER SHELL: STAINLESS, 0.35mm THICKNESS
 - OUTER SHELL: STAINLESS, 0.30mm THICKNESS, 50µ" MIN. NICKEL PLATED ON THE SOLDERING TAILS
 - CTF ARE THE CRITICAL DIMENSIONS MUST BE INSPECTED BY SPC.
 - PACKING: PLEASE REFER TO PKS-GSBX43PT01HR
 - THIS PRODUCT DOESN'T CONTAIN ENVIRONMENTAL HAZARDOUS MATERIALS PER DIRECTIVE 2002/95/EC FOR RoHS AND PER IEC 61249-2-21 FOR HALOGEN FREE COMPLIANT.

TOLERANCE	APPROVALS	DATE	TITLE		Amphenol®				
X. ±0.30	DRAWN Sondra Sang	2014/6/20	USB 3.1 CONNECTOR MICRO_B, RECEPTACLE R/A SMT, HIGHT RISE		Amphenol Corporation Amphenol Taiwan Corporation				
X.X ±0.20									
X.XX ±0.10	APPROVED Hank Hsu	2014/6/20	UNLESS OTHERWISE SPECIFIED		UNIT mm	SIZE A3	PART No. GSB4 43T 33X HR	PAPT No. GSB443T33HR	REV. A
ANGULAR ±1°	DWG TYPE CUST DWG	PROJECT CODE T512							

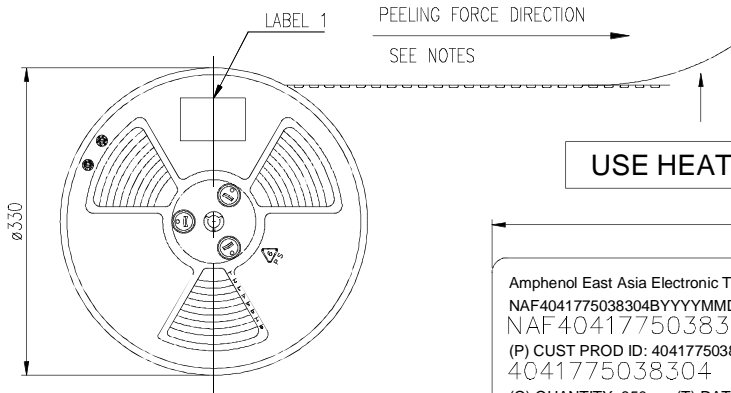
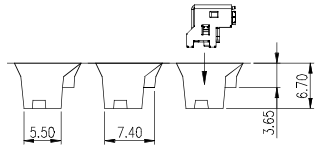
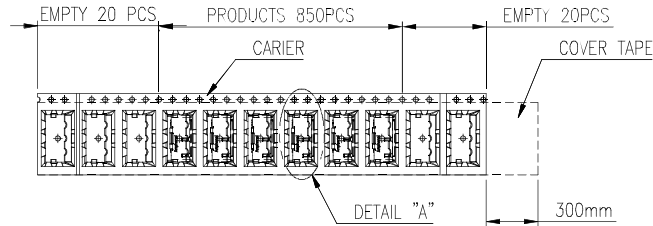
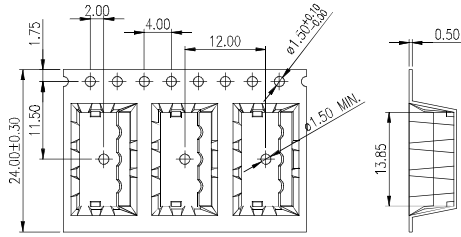


This document is the property of Amphenol Corporation and is delivered on the express condition that it is not to be disclosed, reproduced or used, in whole or in part, for manufacture or sale by anyone other than Amphenol Corporation without its prior consent, and that no right is granted to disclose or to use any information in this document.
The marking on this product doesn't contain environmental hazardous material and must follow one or more specifications per Material Specification SS-00259 for Sony GP compliant or per directive 2011/65/EC for RoHS compliant or per IEC 61249-2-21 for Halogen Free compliant.



ORIGINAL

REVISIONS				
SYM	ECN No.	DESCRIPTION	DATE	By
A	NE-14122	RELEASE TO PRODUCTION	06/20/2014	Sondra Sang



USE HEAT SEAL

Amphenol East Asia Electronic Technology(Shen Zhen)Co., Ltd.
NAF4041775038304BYYYYMMDD
NAF4041775038304B20120101
(P) CUST PROD ID: 4041775038304
4041775038304
(Q) QUANTITY: 850 (T) DATE CODE: YYYYYMDD
850 *YYYYMMDD*
(1T) LOT CODE: 102711
123456
(1P) Amphenol P/N: GSB343T33HR
GSB343T33HR

LABEL 1 = Q'TY : Q850
LABEL 2 = Q'TY : Q10200

RoHS & HF
Compliant

LABEL1 & LABEL2

PART NO.	PCS./REEL-T1	PCS/CARTON-T2	N.W.	G.W.
GSB343TXXHR	850 PCS.	850X12=10200 PCS.	*	*
GSB443TXXHR				

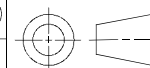
NOTES:

("**) FOR REFERENCE

- MATERIAL: CONDUCTIVE POLYSTYRENE ALLOY, COLOR- BLACK
- THICKNESS: 0.50±0.05 mm
- TAPE HAVE TO USE HEAT SEAL TYPE
- ALL DIMENSIONS MEET EIA-481-C REQUIREMENTS
- COMPONENT LOAD PER 13" REEL: 850 PCS.
- LABEL: 3 OF 9 CODE OR 128 CODE
- THIS PRODUCT DOESN'T CONTAIN ENVIRONMENTAL HAZARDOUS MATERIALS PER DIRECTIVE 2011/65/EC FOR RoHS COMPLIANT.

TOLERANCE	APPROVALS	DATE
X. ±0.20	DESIGNED	
X.X ±0.15	Sondra Sang	2014/6/20
X.XX ±0.10	CHECKED	
X.XXX ±0.05	Chenny Yeh	2014/6/20
ANGULAR ±1'	APPROVED	
	Hank Hsu	2014/6/20
UNLESS OTHERWISE SPECIFIED	DWG TYPE	PROJECT CODE
	CUST DWG	T512

TITLE
USB3.0/ 3.1 CONNECTORS
MICRO_B, HI-RISE
RECEPT, R/A SMT TYPE



UNIT	mm	SIZE	A3
SCALE	NA	SHEET	2 OF 2

PART No.		PKS-GSBX43PT01HR	
DWG No.		PKS-GSB3+3PT01HR	
REV.		A	

