

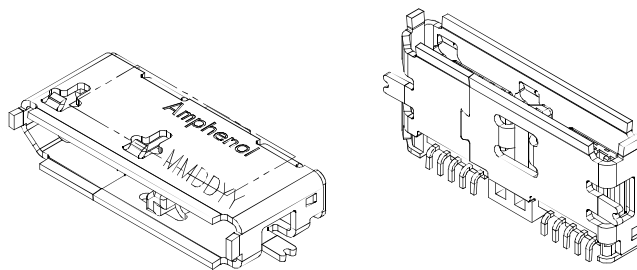
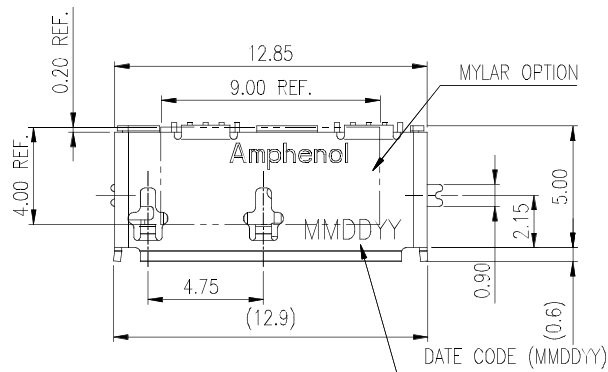
This document is the property of Amphenol Corporation and is delivered on the express condition that it is not to be disclosed, reproduced or used, in whole or in part, for manufacture or sale by anyone other than Amphenol Corporation without its prior consent, and that no right is granted to disclose or to use any information in this document.
 The marking on this product doesn't contain environmental hazardous material and must follow one or more specifications per Material Specification SS-00259 for Sony GP compliant or per directive 2011/65/EC for RoHS compliant or per IEC 61249-2-21 for Halogen Free compliant.



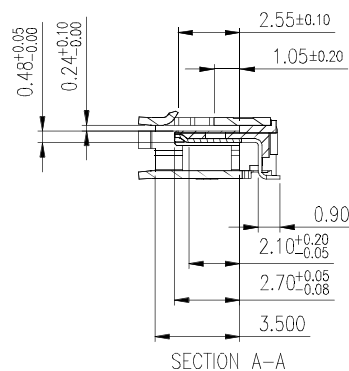
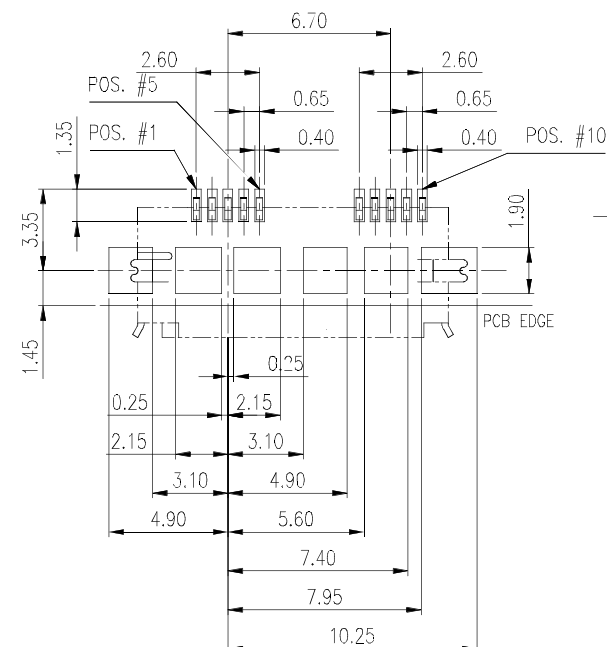
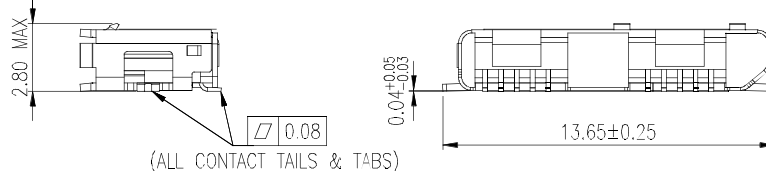
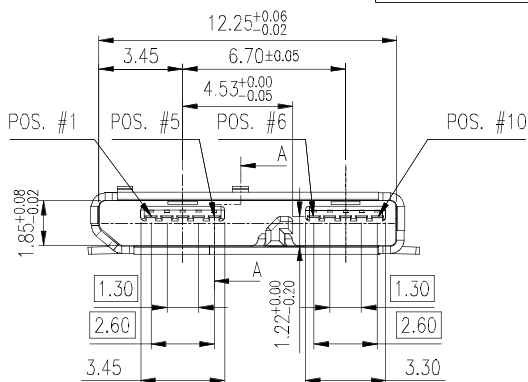
ORIGINAL



REVISIONS				
SYM	ECN No.	DESCRIPTION	DATE	BY
A	NE-14121	RELEASE TO PRODUCTION	06/20/2014	Sondra Sang



PART NUMBER: GSB4 431 X 3 HR
 CONTACT FINISH: 3: 30µ" GOLD
 VARIATION CODE: BLANK: STANDARD T&R PACKING; A: W/ MYLAR, T&R PACKING
 INSULATOR AND COLOR: 3: LCP, Black



RECOMMENDED PCB LAYOUT- TOP VIEW
 (GENERAL TOLERANCE: ±0.05)

NOTES:

- HOUSING: HIGH TEMP. THERMOPLASTIC, UL 94V-0, COLOR- BLACK
- CONTACT: COPPER ALLOY, 0.15mm THICKNESS, 30µ" MIN. GOLD PLATED ON CONTACT AREA, GOLD FLASH PLATED ON SOLDERING TAIL, 80µ" MIN. NICKEL UNDER-PLATED OVERALL
- METAL SHELL: STAINLESS, 0.3mm THICKNESS, GOLD FLASH PLATED ON THE SOLDERING TABS
- MYLAR: 4.0 x 9.0 mm
- THIS PRODUCT DOESN'T CONTAIN ENVIRONMENTAL HAZARDOUS MATERIALS PER DIRECTIVE 2011/65/EC FOR RoHS AND PER IEC 61249-2-21 FOR HALOGEN FREE COMPLIANT.

TOLERANCE	APPROVALS	DATE	TITLE		PART No.		DVG No.		REV.
X. ±0.30	DRAWN Sondra Sang	6/20/2014	USB 3.1 CONNECTOR MICRO_B, RECEPTACLE R/A SMT TYPE		Amphenol® Amphenol Corporation Amphenol Taiwan Corporation		GSB4 431 33X HR		A
X.X ±0.20									
X.XXX ±0.10	APPROVED Hank Hsu	6/20/2014	UNLESS OTHERWISE SPECIFIED		UNIT: mm SCALE: NA		SIZE: A3 SHEET: 1 OF 1		PROJECT CODE T503
ANGULAR ±1°	DWG TYPE CUST DWG								