

This document is the property of Amphenol Corporation and is delivered on the express condition that it is not to be disclosed, reproduced or used, in whole or in part, for manufacture or sale by anyone other than Amphenol Corporation without its prior consent, and that no right is granted to disclose or to use any information in this document.

The marking on this product doesn't contain environmental hazardous material and must follow one or more specifications per Material Specification SS-00259 for Sony GP compliant or per directive 2011/65/EC for RoHS compliant or per IEC 61249-2-21 for Halogen Free compliant.

PART NUMBER:  
GSB3 112 X X HR

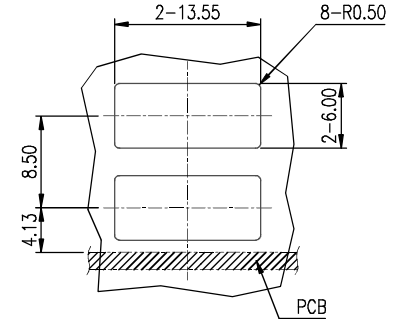
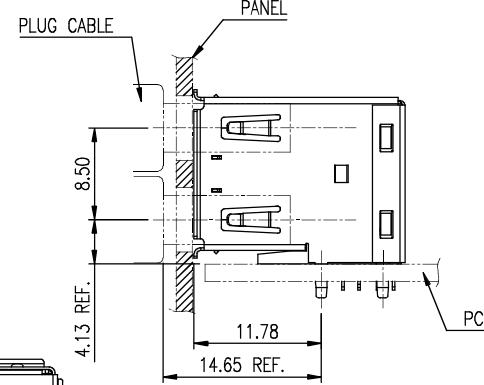
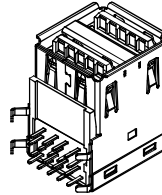
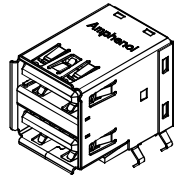
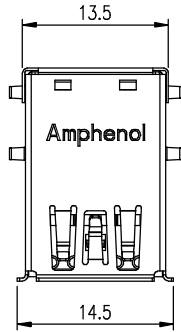
**ORIGINAL**

REVISIONS				
SYM	ECN No.	DESCRIPTION	DATE	BY
A		RELEASE TO PRODUCTION	07/02/2010	Sondra Sang
B	NE-10119	MODIFIED THE FRONT SHELL PLATING	07/28/2010	Sondra Sang
C	NE-10123	MODIFIED PNS	08/06/2010	Sondra Sang
D	NE-10161	MODIFIED MATERIAL	10/06/2010	Sondra Sang
E	NE-11083	ADDED PANEL CUTOUT	06/23/2011	Sondra Sang
F	NE-14014	MODIFIED PNS ADDED OPTIONS	01/22/2014	Sondra Sang

CONTACT FINISH  
3: 30μ" GOLD  
4: 2μ" GOLD+  
30μ" Ni-Pd

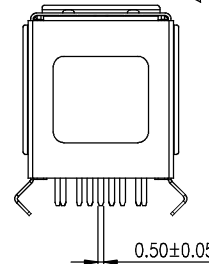
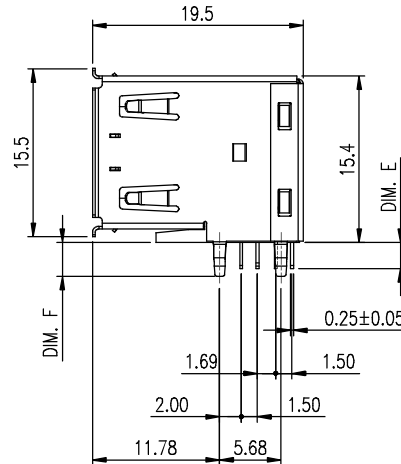
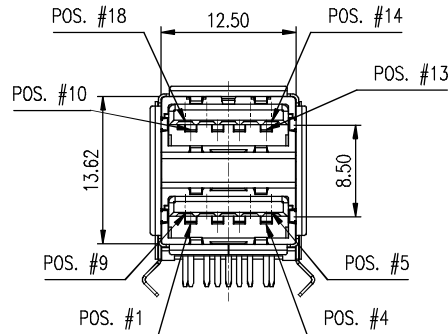
SOLDER TAIL LENGTH  
BLANK: Standard (2.4mm)  
1: 3.00mm

INSULATOR AND COLOR  
1: LCP, Blue  
3: LCP, Black  
4: Nylon, Blue  
6: Nylon, Black



RECOMMEND MOUNTING CONFIGURATION

RECOMMEND PANEL CUTOUT



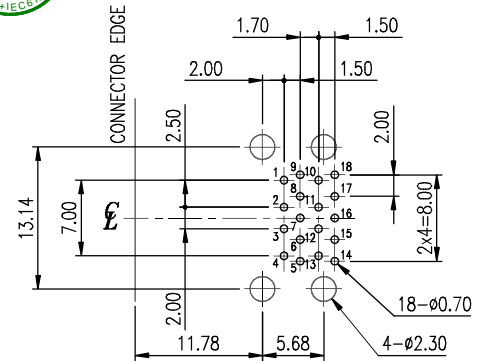
PART NO	DIM. E	DIM. F
GSB3112XXHR	2.4	3.0
GSB3112XX1HR	3.0	3.5

NOTES:

- HOUSING: HIGH TEMPERATURE THERMOPLASTIC, UL 94V-0 OR 94H-B, COLOR- BLUE (PANTONE 300C) OR BLACK
- BOTTOM COVER: HIGH TEMPERATURE THERMOPLASTIC, UL 94V-0, COLOR- BLUE (PANTONE 300C) OR BLACK
- CONTACT: COPPER ALLOY, 0.25mm THICKNESS, 30μ" MIN. GOLD or 2μ" MIN. GOLD +30μ" MIN. Ni-Pd PLATED ON CONTACT AREA, 120μ" MIN. MATTE TIN PLATED ON SOLDERING TAIL, 80μ" MIN. NICKEL UNDER-PLATED OVERALL
- FRONT SHELL: STAINLESS STEEL, 0.25mm THICKNESS, 30μ" MIN. NICKEL PLATED OVER ALL
- MIDDLE SHELL: STAINLESS STEEL, 0.25mm THICKNESS,
- REAR SHELL: STAINLESS STEEL, 0.2mm THICKNESS,
- THIS PRODUCT DOESN'T CONTAIN ENVIRONMENTAL HAZARDOUS MATERIALS PER DIRECTIVE 2011/65/EC FOR RoHS AND PER IEC 61249-2-21 FOR HALOGEN FREE COMPLIANT.

PIN #	PIN #	SIGNAL NAME
1	10	VBUS
2	11	D-
3	12	D+
4	13	GND
5	14	SSRX-
6	15	SSRX+
7	16	GND_DRAIN
8	17	SSTX-
9	18	SSTX+
		SHELL
		SHIELD

PIN ASSIGNMENT



RECOMMENDED PCB LAYOUT- TOP VIEW  
(GENERAL TOLERANCE: ±0.05)



TOLERANCE	APPROVALS	DATE	TITLE
X. ±0.30	DRAWN Sondra Sang	1/22/2014	USB 3.0 CONNECTOR STANDARD A, STACKED, R/A DIP TYPE
X.X ±0.20			
X.XX ±0.20	CHECKED Chenny Yeh	1/22/2014	
X.XXX ±0.10	APPROVED Hank Hsu	1/22/2014	
ANGULAR ±1°	DWG TYPE CUST DWG	PROJECT CODE 1510	
UNLESS OTHERWISE SPECIFIED			

UNIT mm		SIZE A3	PART No. GSB3 112 XX XHR
SCALE NA	SHEET 1 OF 1	DWG No. GSB311231HR	REV. F