

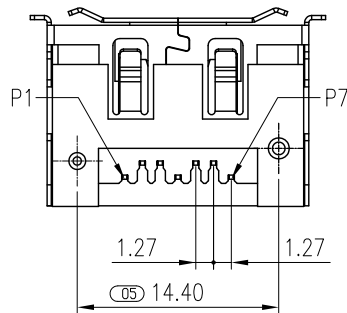
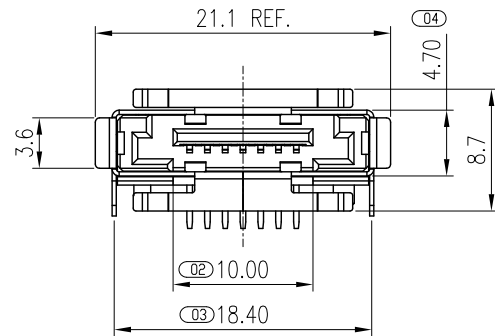
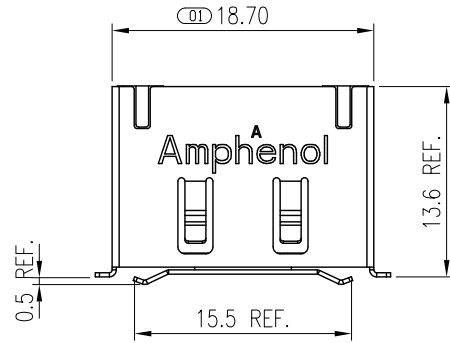
This document is the property of Amphenol Corporation and is delivered on the express condition that it is not to be disclosed, reproduced or used, in whole or in part, for manufacture or sale by anyone other than Amphenol Corporation without its prior consent, and that no right is granted to disclose or to use any information in this document.
The marking on this product doesn't contain environmental hazardous materials per Material Specification SS-00259 for Sony GP compliant or per directive 2011/65/EU for RoHS compliant.



CUSTOMER DRAWING ORIGINAL



REVISIONS				
SYM	ECN No.	DESCRIPTION	DATE	BY
A	NE-13150	RELEASE TO PRODUCTION	09/10/2013	Chenny Yeh



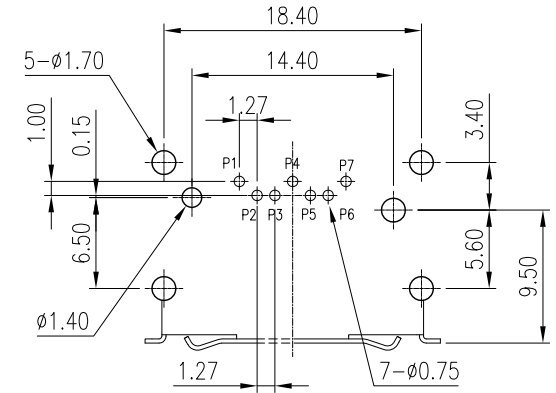
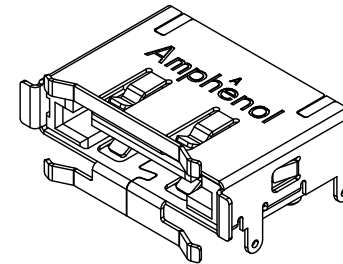
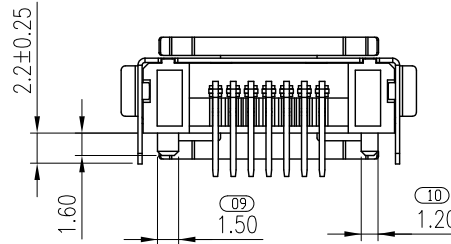
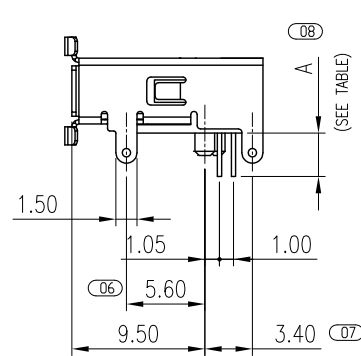
P/N SYSTEM:

G09 1 2 X X 3 0 X F LF

CONTACT FINISH:
0: CONTACT:GOLD FLASH; SHELL:NICKEL PLATING

PACKAGING CODE:
0: TAPE AND REEL PACKING

TERMINAL STYLE:
8: DIP TYPE(FOR 1.30mm PCB)



RECOMMENDED PCB LAYOUT (TOP VIEW)
(ALL TOLERANCE ARE ±0.05)

NOTES:

- MATERIAL:**
HOUSING: HIGH TEMPERATURE THERMO PLASTIC UL94V-0
TERMINAL: COPPER ALLOY
SHELL: COPPER ALLOY
- FINISH:**
TERMINAL:
CONTACT AREA: SELECTIVE GOLD PL.
SOLDERING AREA: MATT TIN PL. 100 μ" THK MIN.
UNDER PL.: NICKEL PL. 50 μ" THK MIN.
SHELLL:
NICKEL PLATED
- THIS PRODUCT DOESN'T CONTAIN ENVIRONMENTAL HAZARDOUS MATERIALS PER MATERIAL SPECIFICATION SS-00259 FOR SONY GP
- THE DIMENSIONS MARKED (N) WILL BE CHECKED BY Q.C. AND PROCESS ENGINEERS.
- PACKING PER AMTA PACKING SPECIFICATION PKS-0001
- MEET SATA REVISION 3.0 SPECIFIED

G0912X830XFLF	2.05±0.2
PART NUMBER	A

TOLERANCE m/m	APPROVALS	DATE	TITLE
x. ±0.30	DRAWN Chenny Yeh	9/10/2013	G09 SERIES E-SATA CONNECTOR PLUG, 7-POS. R/A DIP, REVERSE
x.x ±0.25	CHECKED Sondra Sang	9/10/2013	
x.xx ±0.15	APPROVED Hank Hsu	9/10/2013	
x.xxx ±0.08			
ANGULAR ±2°			
UNLESS OTHERWISE SPECIFIED			SIZE PART NO. DWG NO. REV. A4 G09 1208300F LF T473-G091208300FLF-29 A

Amphenol®
Amphenol Corporation
Amphenol Taiwan Corporation
SCALE N.A. SHEET 1 OF 3

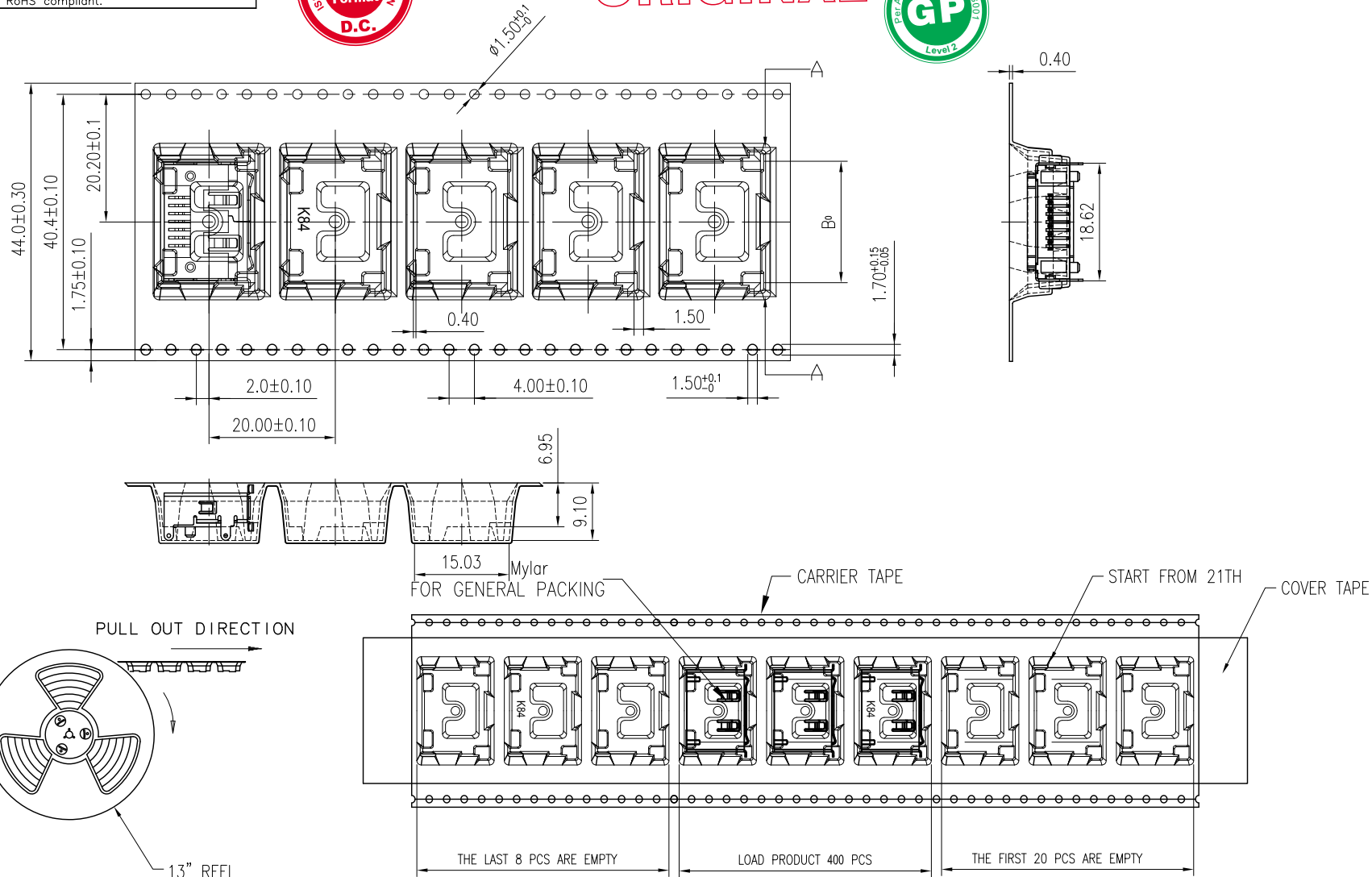
This document is the property of Amphenol Corporation and is delivered on the express condition that it is not to be disclosed, reproduced or used, in whole or in part, for manufacture or sale by anyone other than Amphenol Corporation without its prior consent, and that no right is granted to disclose or to use any information in this document.
 The marking on this product doesn't contain environmental hazardous materials per Material Specification SS-00259 for Sony GP compliant or per directive 2011/65/EU for RoHS compliant.



CUSTOMER DRAWING ORIGINAL



REVISIONS				
SYM	ECN No.	DESCRIPTION	DATE	BY
A	NE-13150	RELEASE TO PRODUCTION	09/10/2013	Chenny Yeh



- NOTES :
- MATERIALS :
 CARRIER TAPE : TRANSPARENT ANTI-STATIC POLYSTYRENE
 COVER TAPE : TRANSPARENT POLYSTYRENE
 REEL : POLYSTYRENE BLUE

TOLERANCE m/m	APPROVALS	DATE	TITLE		Amphenol® Amphenol Corporation Amphenol Taiwan Corporation	
x.	DRAWN Chenny Yeh	9/10/2013	G09 SERIES E-SATA CONNECTOR PLUG, 7-POS. R/A , REVERSE		SCALE	N.A.
x.x ±0.30	CHECKED Sondra Sang	9/10/2013			SHEET	2 OF 3
x.xx ±0.20	APPROVED Hank Hsu	9/10/2013			DWG NO.	T371-G0912X130XLF
x.xxx ±0.10			SIZE	A4	REV.	A
ANGULAR ±2°			PART NO.	G09 12X130XLF		
UNLESS OTHERWISE SPECIFIED			UNIT	MM		

This document is the property of Amphenol Corporation and is delivered on the express condition that it is not to be disclosed, reproduced or used, in whole or in part, for manufacture or sale by anyone other than Amphenol Corporation without its prior consent, and that no right is granted to disclose or to use any information in this document.
 The marking on this product doesn't contain environmental hazardous materials per Material Specification SS-00259 for Sony GP compliant or per directive 2011/65/EU for RoHS compliant.

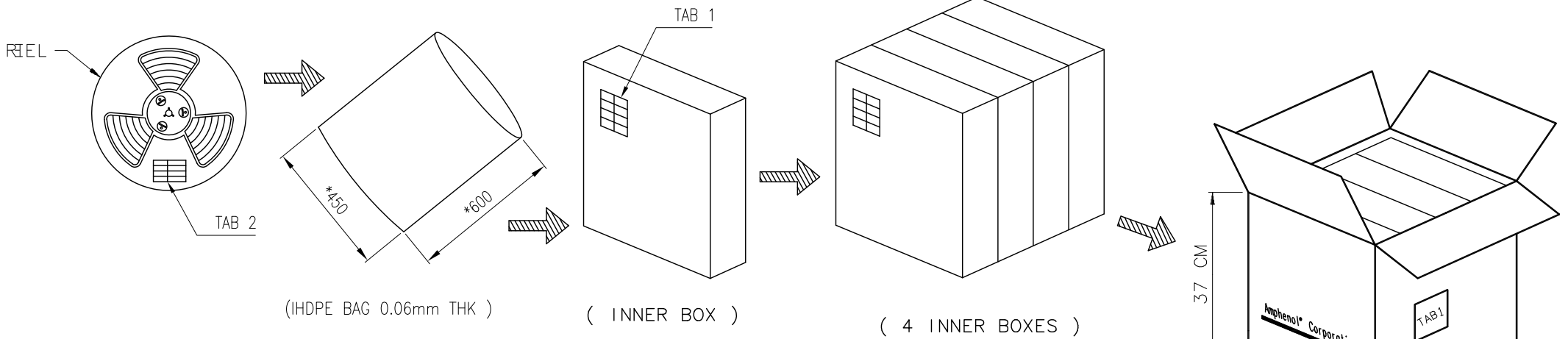


CUSTOMER DRAWING ORIGINAL



D

REVISIONS				
SYM	ECN No.	DESCRIPTION	DATE	BY
A	NE-13150	RELEASE TO PRODUCTION	09/10/2013	Chenny Yeh



70 (mm)	
80 (mm)	CPN(1P): HH7G6012B0245602R
	MPN(M): SASF5110681TR
	CPO(K): 5500016616 00020
	AMTA PO: 413-015711-001
	VENDOR(V): AMPHENOL
	QTY(Q): 330
	DATE: 09/19/2010
	L*W*H(CM)
	G.W.
	Amphenol Taiwan Corporation

TAB 1
SCALE:2:1
BAR-CODE SAMPLE

70 (mm)	
60 (mm)	CPN(1P): HH7G6012B0245602R
	MPN(M): SASF5110681TR
	CPO(K): 5500016616 00020
	AMTA PO: 413-015711-001
	VENDOR(V): AMPHENOL
	QTY(Q): 330
	DATE: 09/19/2010
	L*W*H(CM)
	G.W.
	Amphenol Taiwan Corporation

TAB 2
SCALE:2:1
BAR-CODE SAMPLE

NOTES
 1.THIS PRODUCT DOESN'T CONTAIN ENVIRONMENTAL HAZARDOUS MATERIALS PER MATERIAL SPEC. #MS-S001.

ITEM	DESCRIPTION	Q'TY
4	PRODUCTS	1600PCS/ CARTON
3	INNER CARTON	4PCS/CARTON
2	REEL	1 PCS REEL/HDPE BAG/INNER CARTON
1	PRODUCTS	400 PCS/REEL

TOLERANCE m/m	APPROVALS	DATE	TITLE	Amphenol® Amphenol Corporation Amphenol Taiwan Corporation	
x.	DRAWN Chenny Yeh	9/10/2013	G09 SERIES E-SATA CONNECTOR PLUG, 7-POS. R/A , REVERSE	SCALE	N.A.
x.x ±0.30	CHECKED Sondra Sang	9/10/2013		SHEET	3 OF 3
x.xx ±0.20	APPROVED Hank Hsu	9/10/2013		DWG NO.	T371-G0912X130XLF
x.xxx ±0.10				REV.	A
ANGULAR ±2°			SIZE	A4	
UNLESS OTHERWISE SPECIFIED			PART NO.	G09 12X130XLF	