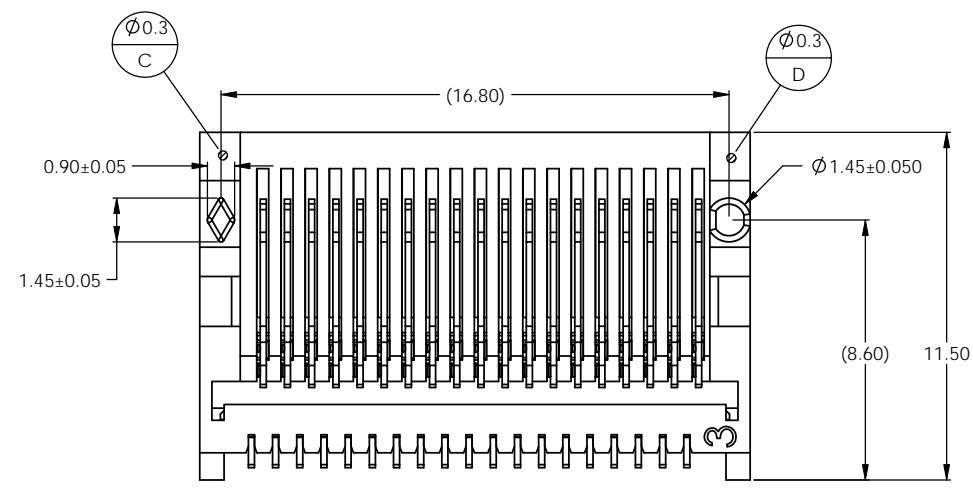
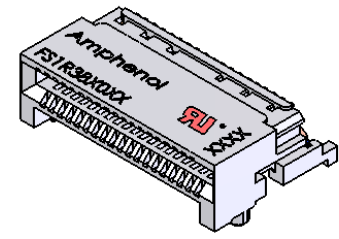
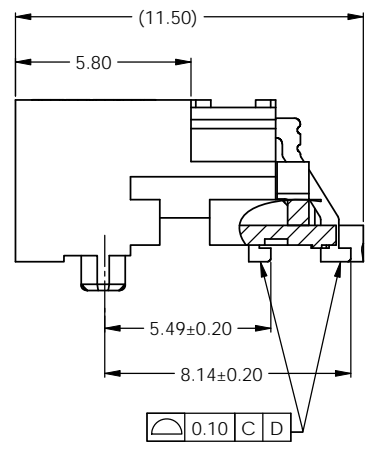
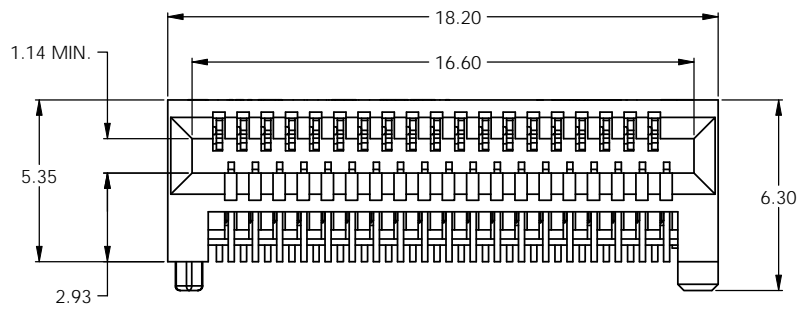
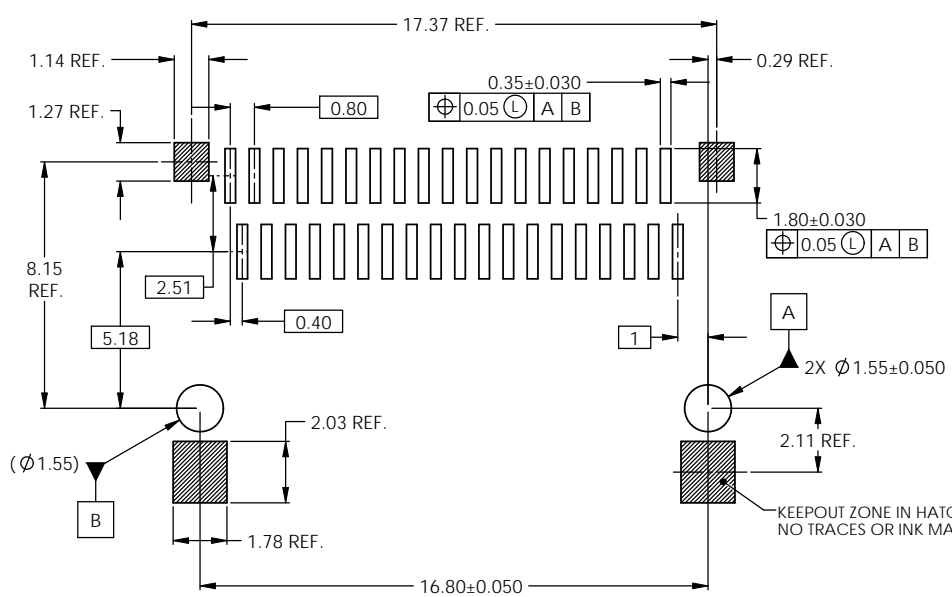


REVISIONS				
REV	ECN	DESCRIPTION	DATE	APPROVED
B		PROPOSAL DRAWING	15/APR/10	YK
C		HOLD DOWN TAB CONFIGURATION ADDED	15/APR/10	YK
D	E10141	UPPER SHORING BAR REMOVED	20/APR/10	YK



PART NUMBER	NOISE CANCELLATION FEATURE	PACKAGING	CONTACT PLATING
FS1-R38-20A2-10	YES	TAPE AND REEL	30µ" GOLD OVER 50µ" NICKEL IN CONTACT AREAS 100µ" MATTE TIN OVER 50µ" NICKEL IN SOLDER AREAS
FS1-R38-20A2-00	NO		
FS1-R38-30A2-10	YES	TAPE AND REEL	15µ" GOLD OVER 50µ" NICKEL IN CONTACT AREAS 100µ" MATTE TIN OVER 50µ" NICKEL IN SOLDER AREAS
FS1-R38-30A2-00	NO		



- NOTES:
- MATERIAL:
HOUSING: SOLDER REFLOW PROCESS COMPATIBLE LCP, UL94V-0
CONTACTS: PHOSPHOR BRONZE
 - ROHS COMPLIANT
 - PERFORMANCE:
ELECTRICAL: 0.5 AMPS MAX. PER CONTACT
MECHANICAL: 250 MATING CYCLES MINIMUM
 - COMPLIES WITH SFF-8436 SPECIFICATION

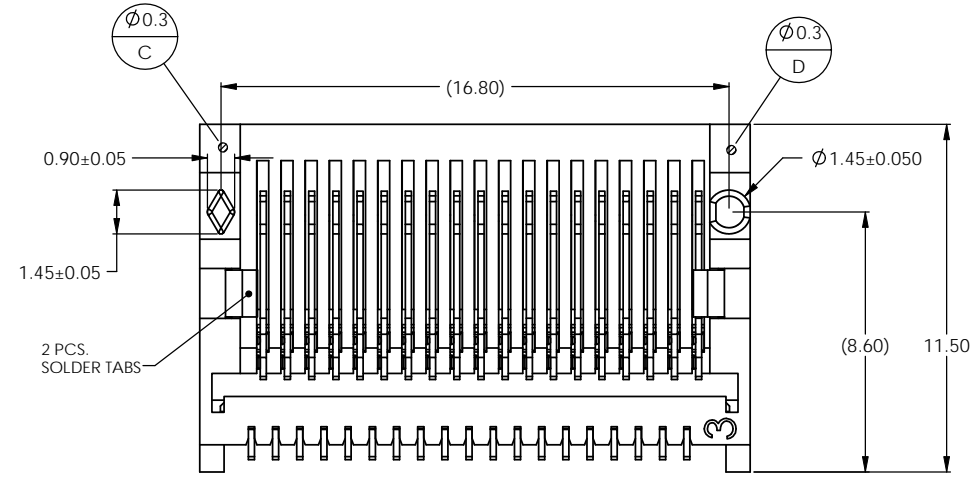
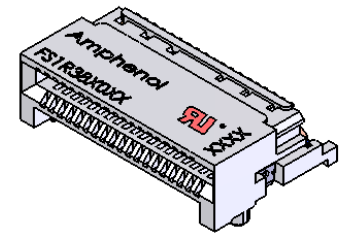
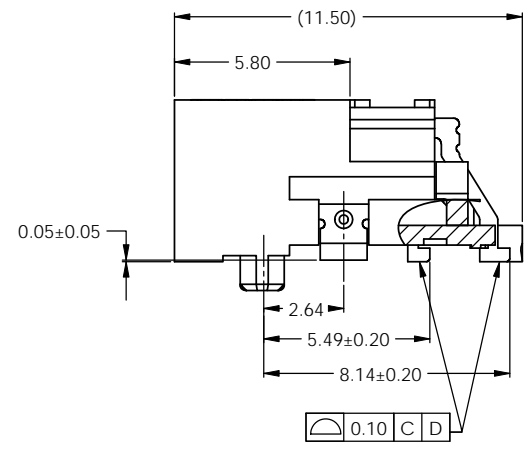
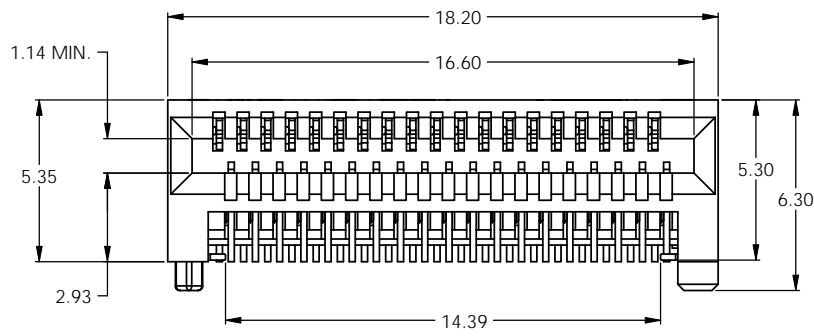
RECOMMENDED PCB LAYOUT FOR FS1-R38-X0A2-X0

DO NOT SCALE DRAWING

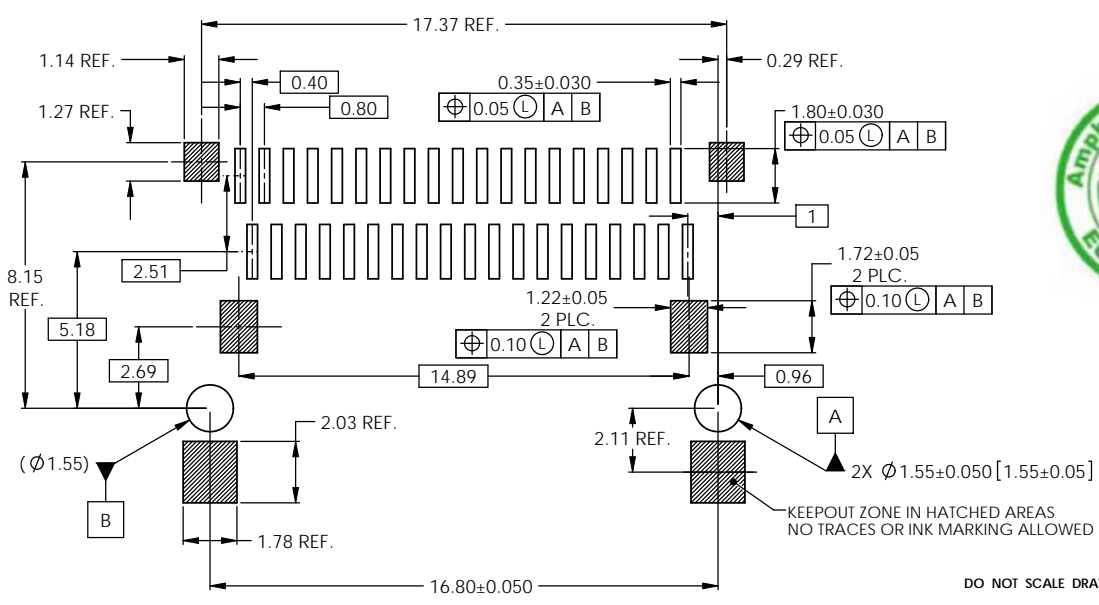
THIS DOCUMENT CONTAINS PROPRIETARY INFORMATION AND SUCH INFORMATION MAY NOT BE DISCLOSED TO OTHERS FOR ANY PURPOSE OR USED FOR MANUFACTURING PURPOSES WITHOUT PERMISSION FROM AMPHENOL CANADA CORP.

UNLESS OTHERWISE SPECIFIED, DIMENSIONS ARE IN MILLIMETERS. TOLERANCES ARE:		APPROVALS	DATE	Amphenol Canada Corp.	
DIGITALS	ANGLES	DRAWN	K.SOBEL	15/APR/10	TITLE
.X ± 0.25	± 2°	DESIGNED	YK	21/APR/06	EXPRESS PORT, QSFP+ 38 POSITION CONNECTOR
.XX ± 0.13		CHECKED			
MATERIAL AND FINISH		DR. APP'D			
ENG. REL. NO.	EAR 12923	DR. APP'D			
CODE IDENT. NO.	03554	DRG. APP'D			
				SCALE	NTS
				PROJECT	FS1
				DRAWING	P-FS1-R38-X0A2-XX
				REV	D
				SHEET	1 OF 2

REVISIONS				
REV	ECN	DESCRIPTION	DATE	APPROVED
D		SEE SHEET 1	20/APR/10	YK



PART NUMBER	NOISE CANCELLATION FEATURE	PACKAGING	CONTACT PLATING
FS1-R38-20A2-11	YES	TAPE AND REEL	30µ" GOLD OVER 50µ" NICKEL IN CONTACT AREAS 100µ" MATTE TIN OVER 50µ" NICKEL IN SOLDER AREAS
FS1-R38-20A2-01	NO		
FS1-R38-30A2-11	YES		15µ" GOLD OVER 50µ" NICKEL IN CONTACT AREAS 100µ" MATTE TIN OVER 50µ" NICKEL IN SOLDER AREAS
FS1-R38-30A2-01	NO		



- NOTES:
- MATERIAL:
HOUSING: SOLDER REFLOW PROCESS COMPATIBLE LCP, UL94V-0
CONTACTS: PHOSPHOR BRONZE
 - ROHS COMPLIANT
 - PERFORMANCE:
ELECTRICAL: 0.5 AMPS MAX. PER CONTACT
MECHANICAL: 250 MATING CYCLES MINIMUM
 - COMPLIES WITH SFF-8436 SPECIFICATION

RECOMMENDED PCB LAYOUT FOR FS1-R38-X0A2-X1

THIS DOCUMENT CONTAINS PROPRIETARY INFORMATION AND SUCH INFORMATION MAY NOT BE DISCLOSED TO OTHERS FOR ANY PURPOSE OR USED FOR MANUFACTURING PURPOSES WITHOUT PERMISSION FROM AMPHENOL CANADA CORP.

DO NOT SCALE DRAWING

UNLESS OTHERWISE SPECIFIED, DIMENSIONS ARE IN MILLIMETERS. DECIMALS ANGLES		APPROVALS		DATE		Amphenol Canada Corp.	
.X ± 0.25	± 2°	DRAWN	K.SOBEL	DESIGNED	YK	DATE	15/APR/10
.XX ± 0.13		CHECKED		DATE	21/APR/06	TITLE	EXPRESS PORT, QSFP+ 38 POSITION CONNECTOR
MATERIAL AND FINISH		DR. APP'D		SCALE	NTS	PROJECT	FS1
DRAWING NO. EAR 12923		DATE		REV	D	SHEET 2 OF 2	
CODE IDENT NO. 03554		DATE					