

# Amphenol

## Interconnection Accessories

### 5003 Backshell Series



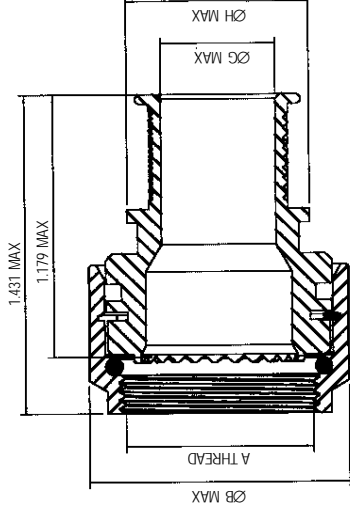
- For use on Mil-C-38999 Series III
- The 5003 Backshells are suitable for termination using Bandit, Zetalock and Heatshrink Products
- The 5003 is designed to give 360° Screening


[Amphenol Interconnection Accessories - Amphenol Distributor:](#)

# Amphenol

# Amphenol

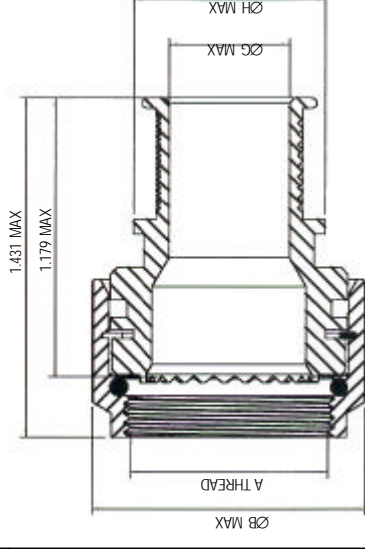
PART NUMBER	A-THREAD	ØB MAX	ØG MAX	ØH MAX	REC HELLERMAN BOOT 90°	REC HELLERMAN BOOT STRAIGHT	SPRING REF
5003-09-00-00-10-AA-XX	M12 x 1	18.14	6.48	14.04	1152-4-GW24	152-42-GW24	HE 050
5003-11-00-00-10-AA-XX	M15 x 1	20.45	8.05	15.61	1154-4-GW24	154-42-GW24	HE 100
5003-13-00-00-10-AA-XX	M18 x 1	24.64	11.25	18.81	1155-4-GW24	155-42-GW24	HE 100
5003-15-00-00-10-AA-XX	M22 x 1	29.13	12.83	20.39	1155-4-GW24	155-42-GW24	HE 200
5003-17-00-00-10-AA-XX	M25 x 1	32.13	16.00	23.57	1156-4-GW24	156-42-GW24	HE 200
5003-19-00-00-10-AA-XX	M28 x 1	32.64	19.18	26.74	1156-4-GW24	156-42-GW24	HE 300
5003-21-00-00-10-AA-XX	M31 x 1	39.78	22.38	29.92	1157-4-GW24	157-43-GW24	HE 300
5003-23-00-00-10-AA-XX	M34 x 1	43.28	25.55	33.09	1157-4-GW24	157-43-GW24	HE 300
5003-25-00-00-10-AA-XX	M37 x 1	44.25	25.55	33.09	1157-4-GW24	157-43-GW24	HE 300
5003-09-06-00-10-AA-XX	M12 x 1	18.14	4.83	14.04	1152-4-GW24	152-42-GW24	HE 050
5003-11-08-00-10-AA-XX	M15 x 1	20.45	6.48	14.04	1154-4-GW24	154-42-GW24	HE 050
5003-13-10-00-10-AA-XX	M18 x 1	24.64	8.05	15.61	1155-4-GW24	155-42-GW24	HE 100
5003-15-12-00-10-AA-XX	M22 x 1	29.13	11.25	18.81	1155-4-GW24	155-42-GW24	HE 100
5003-17-14-00-10-AA-XX	M25 x 1	32.13	12.83	20.39	1156-4-GW24	156-42-GW24	HE 200
5003-19-16-00-10-AA-XX	M28 x 1	32.64	16.00	23.57	1156-4-GW24	156-42-GW24	HE 200
5003-21-18-00-10-AA-XX	M31 x 1	39.78	19.18	26.74	1157-4-GW24	157-43-GW24	HE 300
5003-23-20-00-10-AA-XX	M34 x 1	43.28	22.38	29.92	1157-4-GW24	157-43-GW24	HE 300
5003-25-22-00-10-AA-XX	M37 x 1	44.25	25.55	33.09	1157-4-GW24	157-43-GW24	HE 300




 THIRD ANGLE PROJECTION	MATERIAL AND FINISH CODES ARE SPECIFIED ON ORDER	CHECKED	DIMENSIONS IN		AMPHENOL LTD Amphenol Ltd Thanet Way, Whitstable, Kent. CT5 3JF Tel: 01227 773200 Fax: 01227 276571	This drawing is the property of Amphenol Ltd and shall not be copied or disclosed to a third party without the express permission of Amphenol Ltd Amphenol Ltd 2000®	TITLE
	NOTE: ALL DIMENSIONS SHOWN ARE FINISHED DIMENSIONS AFTER PLATING/METAL FINISHING	SCALE	MM	TOLERANCES			Drawing Number

# Amphenol

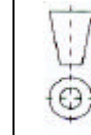
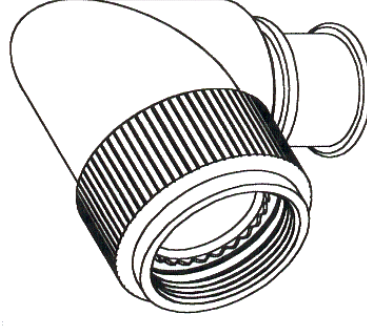
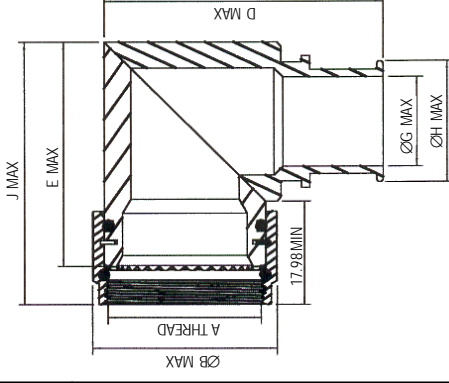
PART NUMBER	A-THREAD	ØB MAX	ØG MAX	ØH MAX	REC HELLERMAN BOOT 90°	REC HELLERMAN BOOT STRAIGHT	SPRING REF
5003-09-00-00-10-AA-XX	M12 x 1	0.714	0.255	0.5528	1152-4-GW24	152-42-GW24	HE 050
5003-11-00-00-10-AA-XX	M15 x 1	0.805	0.317	0.6146	1154-4-GW24	154-42-GW24	HE 100
5003-13-00-00-10-AA-XX	M18 x 1	0.970	0.443	0.7406	1155-4-GW24	155-42-GW24	HE 100
5003-15-00-00-10-AA-XX	M22 x 1	1.147	0.505	0.8028	1155-4-GW24	155-42-GW24	HE 200
5003-17-00-00-10-AA-XX	M25 x 1	1.265	0.630	0.9280	1156-4-GW24	156-42-GW24	HE 200
5003-19-00-00-10-AA-XX	M28 x 1	1.285	0.755	1.0528	1156-4-GW24	156-42-GW24	HE 300
5003-21-00-00-10-AA-XX	M31 x 1	1.566	0.881	1.1780	1157-4-GW24	157-43-GW24	HE 300
5003-23-00-00-10-AA-XX	M34 x 1	1.704	1.006	1.3028	1157-4-GW24	157-43-GW24	HE 300
5003-25-00-00-10-AA-XX	M37 x 1	1.742	1.006	1.3028	1157-4-GW24	157-43-GW24	HE 300
5003-09-06-00-10-AA-XX	M12 x 1	0.714	0.190	0.5528	1152-4-GW24	152-42-GW24	HE 050
5003-11-08-00-10-AA-XX	M15 x 1	0.805	0.255	0.5528	1154-4-GW24	154-42-GW24	HE 050
5003-13-10-00-10-AA-XX	M18 x 1	0.970	0.317	0.6146	1155-4-GW24	155-42-GW24	HE 100
5003-15-12-00-10-AA-XX	M22 x 1	1.147	0.443	0.7406	1155-4-GW24	155-42-GW24	HE 100
5003-17-14-00-10-AA-XX	M25 x 1	1.265	0.505	0.8028	1156-4-GW24	156-42-GW24	HE 200
5003-19-16-00-10-AA-XX	M28 x 1	1.285	0.630	0.9280	1156-4-GW24	156-42-GW24	HE 200
5003-21-18-00-10-AA-XX	M31 x 1	1.566	0.755	1.0528	1157-4-GW24	157-43-GW24	HE 300
5003-23-20-00-10-AA-XX	M34 x 1	1.704	0.881	1.1780	1157-4-GW24	157-43-GW24	HE 300
5003-25-22-00-10-AA-XX	M37 x 1	1.742	1.006	1.3028	1157-4-GW24	157-43-GW24	HE 300



 THIRD ANGLE PROJECTION	MATERIAL AND FINISH CODES ARE SPECIFIED ON ORDER	CHECKED  SCALE	DIMENSIONS IN Inches  TOLERANCES	AMPHENOL LTD Amphenol Ltd Thanet Way, Whitstable, Kent. CT5 3JF Tel: 01227 773200 Fax: 01227 276571	This drawing is the property of Amphenol Ltd and shall not be copied or disclosed to a third party without the express permission of Amphenol Ltd Amphenol Ltd 2000®	TITLE <b>BACKSHELL          STRAIGHT</b>
	NOTE: ALL DIMENSIONS SHOWN ARE FINISHED DIMENSIONS AFTER PLATING/METAL FINISHING					Drawing Number <b>5003 SERIES</b>

# Amphenol

PART NUMBER	A-THREAD	D MAX	ØB MAX	E MAX	ØG MAX	ØH MAX	J MAX	REC HELLERMAN BOOT STRAIGHT	SPRING REF
5003-09-00-90-10-AA-XX	M12 x 1	35.18	18.14	25.98	6.48	14.04	32.39	152-42-GW24	HE 050
5003-11-00-90-10-AA-XX	M15 x 1	38.35	20.45	29.16	8.05	15.61	35.56	154-42-GW24	HE 100
5003-13-00-90-10-AA-XX	M18 x 1	41.53	24.64	32.33	11.25	18.81	38.74	155-42-GW24	HE 100
5003-15-00-90-10-AA-XX	M22 x 1	46.30	29.13	37.11	12.83	20.39	43.51	155-42-GW24	HE 200
5003-17-00-90-10-AA-XX	M25 x 1	49.48	32.13	40.28	16.00	23.57	46.69	156-42-GW24	HE 200
5003-19-00-90-10-AA-XX	M28 x 1	49.48	32.64	40.28	19.18	26.74	46.69	156-42-GW24	HE 300
5003-21-00-90-10-AA-XX	M31 x 1	57.40	39.78	48.21	22.38	29.92	54.61	157-43-GW24	HE 300
5003-23-00-90-10-AA-XX	M34 x 1	60.58	43.28	51.38	25.55	33.09	57.79	157-43-GW24	HE 300
5003-25-00-90-10-AA-XX	M37 x 1	60.58	44.25	51.38	25.55	33.09	57.79	157-43-GW24	HE 300
5003-09-06-90-10-AA-XX	M12 x 1	35.18	18.14	25.98	4.83	14.04	32.39	152-42-GW24	HE 050
5003-11-08-90-10-AA-XX	M15 x 1	38.35	20.45	29.16	6.48	14.04	35.56	154-42-GW24	HE 050
5003-13-10-90-10-AA-XX	M18 x 1	41.53	24.64	32.33	8.05	15.61	38.74	155-42-GW24	HE 100
5003-15-12-90-10-AA-XX	M22 x 1	46.40	29.13	37.11	11.25	18.81	43.51	155-42-GW24	HE 100
5003-17-14-90-10-AA-XX	M25 x 1	49.48	32.13	40.28	12.83	20.39	46.69	156-42-GW24	HE 200
5003-19-16-90-10-AA-XX	M28 x 1	49.48	32.64	40.28	16.00	23.57	46.69	156-42-GW24	HE 200
5003-21-18-90-10-AA-XX	M31 x 1	57.40	39.78	48.21	19.18	26.74	54.61	157-43-GW24	HE 300
5003-23-20-90-10-AA-XX	M34 x 1	58.80	43.28	51.38	22.38	29.92	57.79	157-43-GW24	HE 300
5003-25-22-90-10-AA-XX	M37 x 1	58.80	44.25	51.38	25.55	33.09	57.79	157-43-GW24	HE 300



THIRD ANGLE  
PROJECTION

MATERIAL AND FINISH CODES  
ARE SPECIFIED ON ORDER

NOTE:  
ALL DIMENSIONS SHOWN ARE  
FINISHED DIMENSIONS AFTER  
PLATING/METAL FINISHING

CHECKED

SCALE

DIMENSIONS IN  
MM

TOLERANCES

AMPHENOL LTD  
Amphenol Ltd  
Thames Way,  
Whistable, Kent.  
CT5 3JF  
Tel: 01227 773200 Fax: 01227 276571

This drawing is the property of Amphenol Ltd  
and shall not be copied or  
disclosed to a third party without the  
express permission of Amphenol Ltd  
Amphenol Ltd 2000®

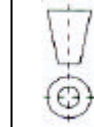
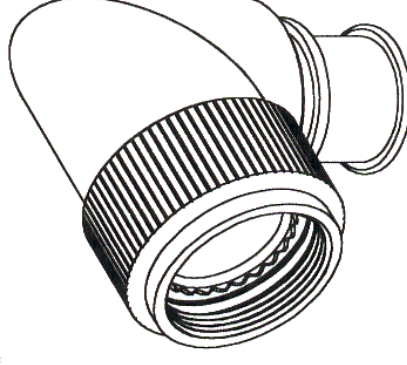
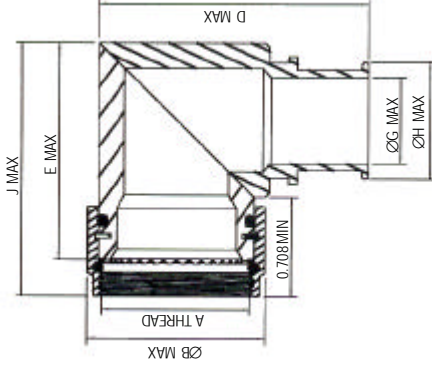
TITLE

**BACKSHELL  
RIGHT ANGLE**

Drawing Number  
**5003 SERIES**

# Amphenol

PART NUMBER	A-THREAD	D MAX	ØB MAX	E MAX	ØG MAX	ØH MAX	J MAX	REC HELLERMAN BOOT STRAIGHT	SPRING REF
5003-09-00-90-10-AA-XX	M12 x 1	1.385	0.714	1.023	0.255	0.5528	1.275	152-42-GW24	HE 050
5003-11-00-90-10-AA-XX	M15 x 1	1.510	0.805	1.148	0.317	0.6146	1.400	154-42-GW24	HE 100
5003-13-00-90-10-AA-XX	M18 x 1	1.635	0.970	1.273	0.443	0.7406	1.525	155-42-GW24	HE 100
5003-15-00-90-10-AA-XX	M22 x 1	1.823	1.147	1.461	0.505	0.8028	1.713	155-42-GW24	HE 200
5003-17-00-90-10-AA-XX	M25 x 1	1.948	1.265	1.586	0.630	0.9280	1.838	156-42-GW24	HE 200
5003-19-00-90-10-AA-XX	M28 x 1	1.948	1.285	1.586	0.755	1.0528	1.838	156-42-GW24	HE 300
5003-21-00-90-10-AA-XX	M31 x 1	2.260	1.566	1.898	0.881	1.1780	2.150	157-43-GW24	HE 300
5003-23-00-90-10-AA-XX	M34 x 1	2.385	1.704	2.023	1.006	1.3028	2.275	157-43-GW24	HE 300
5003-25-00-90-10-AA-XX	M37 x 1	2.385	1.742	2.023	1.006	1.3028	2.275	157-43-GW24	HE 300
5003-09-06-90-10-AA-XX	M12 x 1	1.385	0.714	1.023	0.190	0.5528	1.275	152-42-GW24	HE 050
5003-11-08-90-10-AA-XX	M15 x 1	1.510	0.805	1.148	0.255	0.5528	1.400	154-42-GW24	HE 050
5003-13-10-90-10-AA-XX	M18 x 1	1.635	0.970	1.273	0.317	0.6146	1.525	155-42-GW24	HE 100
5003-15-12-90-10-AA-XX	M22 x 1	1.823	1.147	1.461	0.443	0.7406	1.713	155-42-GW24	HE 100
5003-17-14-90-10-AA-XX	M25 x 1	1.948	1.265	1.586	0.505	0.8028	1.838	156-42-GW24	HE 200
5003-19-16-90-10-AA-XX	M28 x 1	1.948	1.285	1.586	0.630	0.9280	1.838	156-42-GW24	HE 200
5003-21-18-90-10-AA-XX	M31 x 1	2.260	1.566	1.898	0.755	1.0528	2.150	157-43-GW24	HE 300
5003-23-20-90-10-AA-XX	M34 x 1	2.315	1.704	2.023	0.881	1.1780	2.275	157-43-GW24	HE 300
5003-25-22-90-10-AA-XX	M37 x 1	2.315	1.742	2.023	1.006	1.3028	2.275	157-43-GW24	HE 300



THIRD ANGLE PROJECTION

MATERIAL AND FINISH CODES ARE SPECIFIED ON ORDER

NOTE:  
ALL DIMENSIONS SHOWN ARE FINISHED DIMENSIONS AFTER PLATING/METAL FINISHING

CHECKED

SCALE

DIMENSIONS IN INCHES

TOLERANCES

AMPHENOL LTD  
Amphenol Ltd  
Thanet Way,  
Whitstable, Kent,  
CT5 3JF  
Tel: 01227773200 Fax: 01227276571

This drawing is the property of Amphenol Ltd and shall not be copied or disclosed to a third party without the express permission of Amphenol Ltd Amphenol Ltd 2000<sup>®</sup>

TITLE

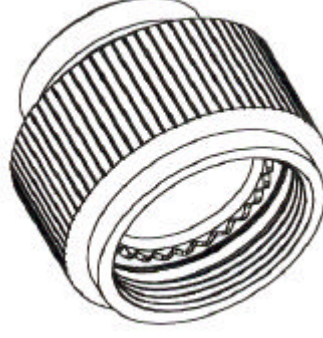
**BACKSHELL  
RIGHT ANGLE**


Drawing Number

**5003 SERIES**

# Amphenol

PART NUMBER	A-THREAD	ØB MAX	ØG MAX	ØH MAX	REC HELLERMAN BOOT 90°	REC HELLERMAN BOOT STRAIGHT
5103-09-00-00-10-AA-XX	M12x1	0.714	0.255	0.5528	1154-4-GW24	154-42-GW24
5103-11-00-00-10-AA-XX	M15x1	0.805	0.317	0.6146	1155-4-GW24	155-42-GW24
5103-13-00-00-10-AA-XX	M18x1	0.970	0.443	0.7406	1155-4-GW24	155-42-GW24
5103-15-00-00-10-AA-XX	M22x1	1.147	0.505	0.8028	1156-4-GW24	156-42-GW24
5103-17-00-00-10-AA-XX	M25x1	1.265	0.630	0.9280	1156-4-GW24	156-42-GW24
5103-19-00-00-10-AA-XX	M28x1	1.285	0.755	1.0528	1157-4-GW24	157-43-GW24
5103-21-00-00-10-AA-XX	M31x1	1.566	0.881	1.1780	1157-4-GW24	157-43-GW24
5103-23-00-00-10-AA-XX	M34x1	1.704	1.006	1.3028	1157-4-GW24	157-43-GW24
5103-25-00-00-10-AA-XX	M37x1	1.742	1.006	1.3028	1157-4-GW24	157-43-GW24

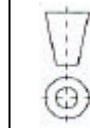
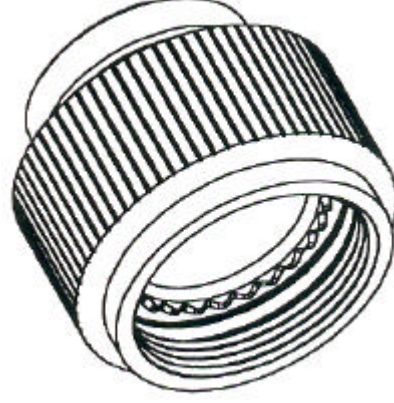
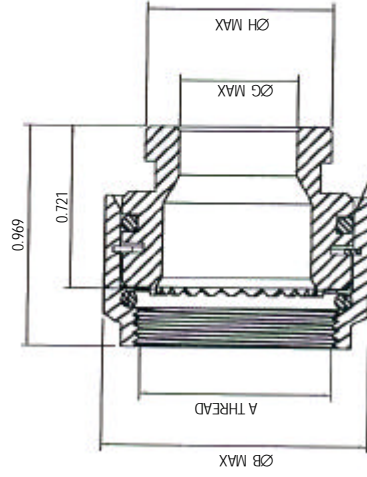


 THIRD ANGLE PROJECTION	MATERIAL AND FINISH CODES ARE SPECIFIED ON ORDER	CHECKED	DIMENSIONS IN		AMPHENOL LTD Amphenol Ltd Thanet Way, Whitstable, Kent. CT5 3JF Tel: 01227773200 Fax: 01227276571	This drawing is the property of Amphenol Ltd and shall not be copied or disclosed to a third party without the express permission of Amphenol Ltd Amphenol Ltd 2000®	TITLE <b>BACKSHELL STRAIGHT WITH HEATSHRINK BOOT</b> Drawing Number <b>5103 SERIES</b>
	NOTE: ALL DIMENSIONS SHOWN ARE FINISHED DIMENSIONS AFTER PLATING/METAL FINISHING	SCALE	Inches	TOLERANCES			



# Amphenol

PART NUMBER	A-THREAD	ØB MAX	ØG MAX	ØH MAX	REC HELLERMAN BOOT 90°	REC HELLERMAN BOOT STRAIGHT
5103-09-00-00-10-AA-XX	M12x1	18.14	6.48	14.04	1154-4-GW24	154-42-GW24
5103-11-00-00-10-AA-XX	M15x1	20.45	8.05	15.61	1155-4-GW24	155-42-GW24
5103-13-00-00-10-AA-XX	M18x1	24.64	11.25	18.81	1155-4-GW24	155-42-GW24
5103-15-00-00-10-AA-XX	M22x1	29.13	12.83	20.39	1156-4-GW24	156-42-GW24
5103-17-00-00-10-AA-XX	M25x1	32.13	16.00	23.57	1156-4-GW24	156-42-GW24
5103-19-00-00-10-AA-XX	M28x1	32.64	19.18	26.74	1157-4-GW24	157-43-GW24
5103-21-00-00-10-AA-XX	M31x1	39.78	22.38	29.92	1157-4-GW24	157-43-GW24
5103-23-00-00-10-AA-XX	M34x1	43.28	25.55	33.09	1157-4-GW24	157-43-GW24
5103-25-00-00-10-AA-XX	M37x1	44.25	25.55	33.09	1157-4-GW24	157-43-GW24



THIRD ANGLE PROJECTION

MATERIAL AND FINISH CODES ARE SPECIFIED ON ORDER

NOTE:  
ALL DIMENSIONS SHOWN ARE FINISHED DIMENSIONS AFTER PLATING/METAL FINISHING

CHECKED

DIMENSIONS IN

MM

TOLERANCES

SCALE

AMPHENOL LTD  
Amphenol Ltd  
Thanet Way,  
Whitstable, Kent.  
CT5 3JF  
Tel: 01227773200 Fax: 01227276571

This drawing is the property of Amphenol Ltd and shall not be copied or disclosed to a third party without the express permission of Amphenol Ltd Amphenol Ltd 2000®

TITLE  
**BACKSHELL STRAIGHT FOR HEATSHRINK BOOT**

Drawing Number

**5103 SERIES**

**Part Number Information**

**AIA50 03 XX XX XX XX XX XX**

**Denotes Backshell Style**

50 = Zeta Lock Termination with heatshrink boot groove  
 51 = Spin Coupler to take heatshrink boot

**Denotes Connector Style**

03 = 38999 Series

**Denotes Connector Shell Size**

9, 11, 13, 15, 17, 19, 21, 23, 25

**Denotes Backshell Inlet Size**

See Chart for Inlet Standard  
 Consult Factory for Alternatives

**Denotes Backshell Exit Angle**

00 = 0°  
 45 = 45°  
 90 = 90°  
 Consult Factory for Alternatives

**Denotes Working Length**

00 = Standard  
 Consult Factory for Alternatives

**Denotes Backshell Material**

AA = Aluminium Alloy  
 RB = Aluminium Bronze  
 SS = Stainless Steel

**Denotes Backshell Plating Finish**

01 = Unplated  
 02 = Electroless Nickel  
 03 = Cadmium with Olive Drab Chromate Passivation  
 04 = Zinc Cobalt with Green Chromate Passivation  
 05 = Zinc Cobalt with Black Chromate Passivation

For further information on cables, connectors and assemblies please consult your local office. Product specifications and performance characteristics are typical only, and subject to change.

**Notice:** Products are sold subject to Amphenol's conditions of sale ("the standard conditions"). All specifications and statements contained herein are believed to be correct at the time of printing, but no representation or warranty, express or implied, is given as to any specification or statement contained herein. Product specifications including performance characteristics are typical only and subject to deviation. Specifications are also subject to change without notice. Users should not assume that all safety measures are indicated or that other measures may not be required. No representation or warranty, express or implied, is given that any use of products (including any stated or suggested use) does not infringe any patent, registered design or other third party rights and no stated or suggested use of products can be taken to recommend any such infringement.

