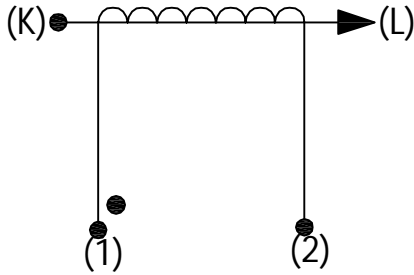
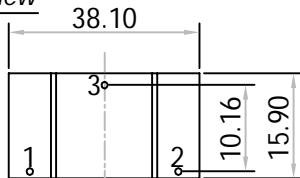
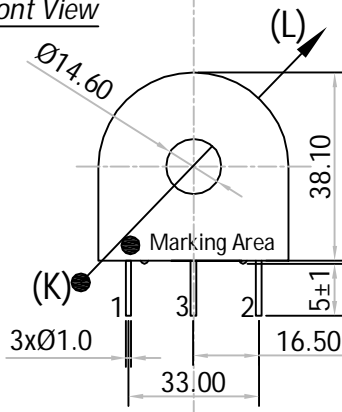


Product Type	Current Transformer
AMGIS Part Number	#U
Customer Part Number	
Place of Manufacture	

SCHEMATIC:

ELECTRICAL SPECIFICATION:

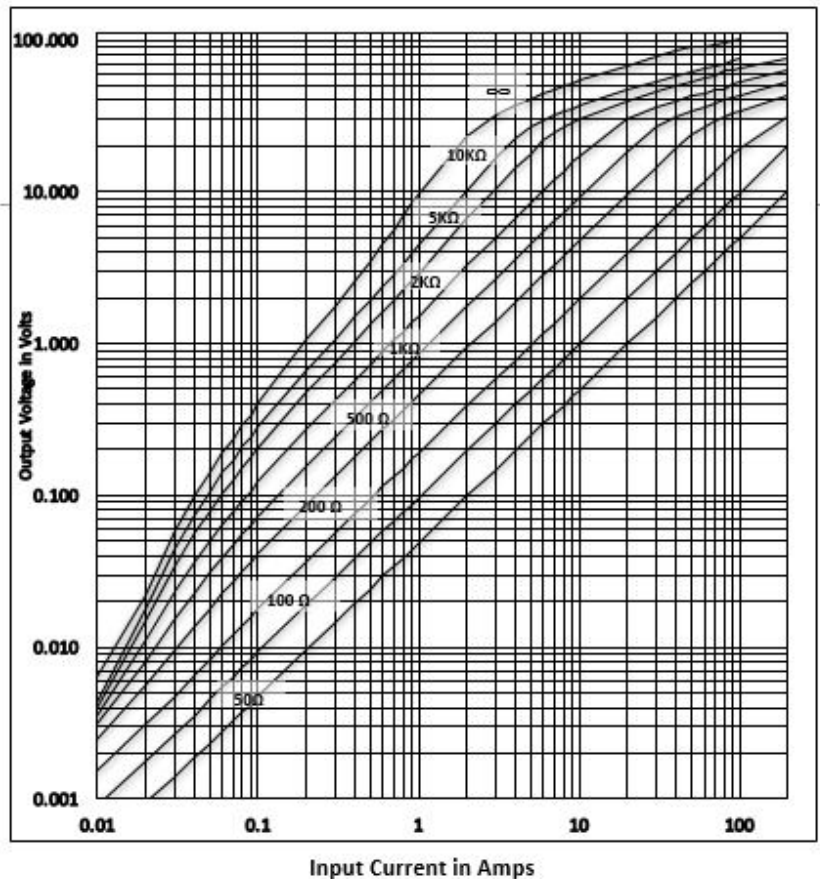
Rated input current	= 60Amps
Primary to Secondary isolation	= 2500VAC
Operating Frequency	= 50 / 60 Hz
Turns Ratio	= 1 : 1000
DC Resistance	= 24.00 Ω
Output Voltage	= 6.0V @ 60A / 100 Ω , 0.3600W
I_o @ V_{rms} : 7.41V	= 1250 μ Arms
Ratio Correction factor (RCF*)	= 1.001@10% (Multiply current reading by this factor to compensate for transformer losses)

100 Ω	500 Ω	2000 Ω	5000 Ω
0.10	0.44	0.66	0.76

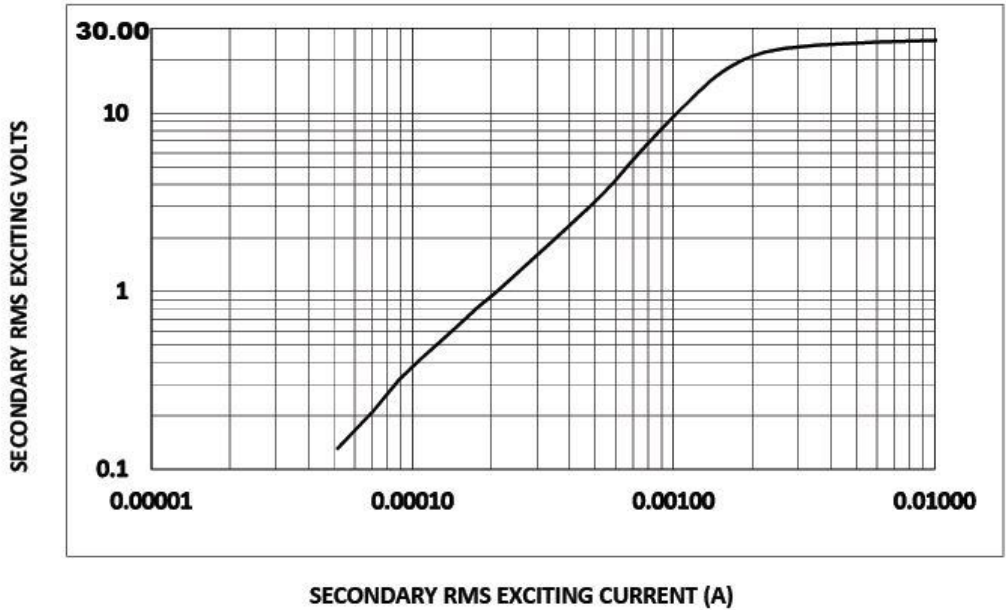
MECHANICAL SPECIFICATION:
OUTPUT RESPONSE vs INPUT CURRENT @ RATED BURDEN :
Pin Side View

Front View


All dimensions are in mm
Linear dimensional tolerance ± 0.2 mm

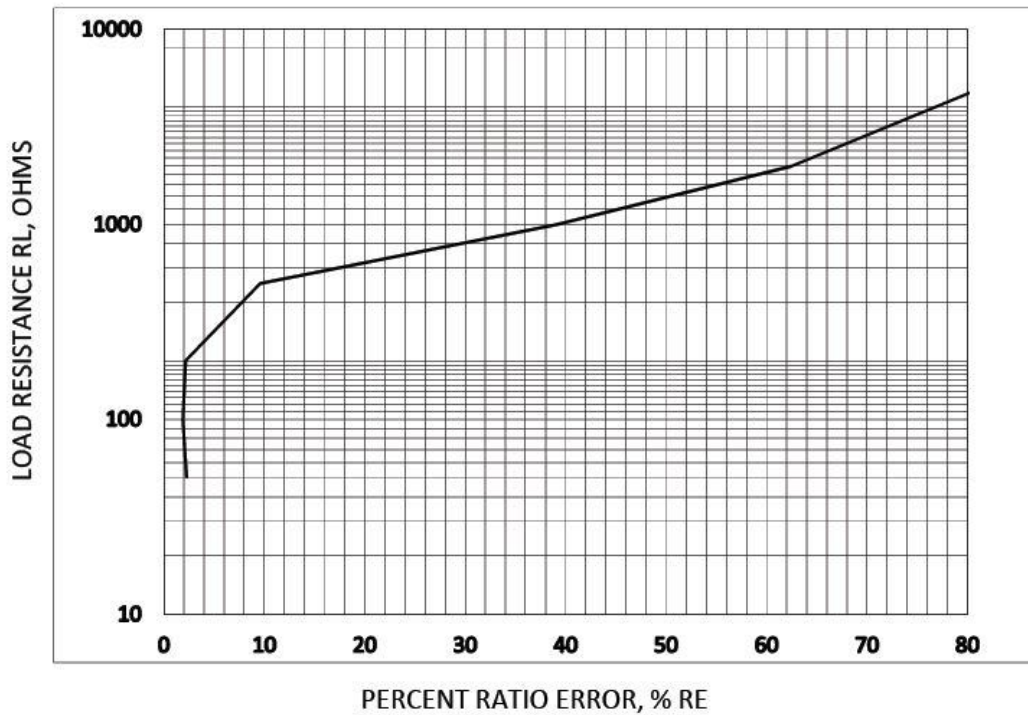
Note : Un-Used pin \rightarrow #3



TYPICAL EXCITATION CURVE :



RATIO ERROR (%) vs RATED BURDEN @ INPUT CURRENT :



TRAFO WEIGHT:

Approx. Weight = 0.0652 kg / pc

MARKING INFORMATION:

L01-6218
 Ac yr / wk code
 ●
 Dot mark for Start pin identification

-----Initial Issue-----	1	0	Balaji. R	18-Nov'2015
Changes	Issue	Rev	Initial	Date