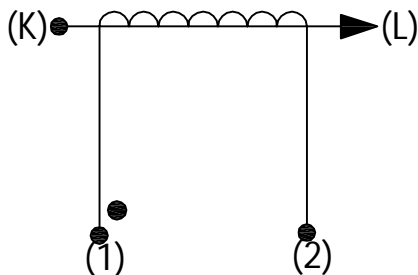


Product Type	Current Transformer
AMGIS Part Number	#U
Customer Part Number	
Place of Manufacture	

SCHMATIC:



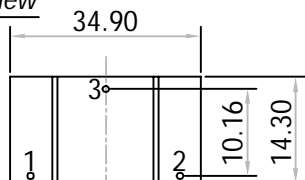
ELECTRICAL SPECIFICATION:

Rated input current	= 40Amps
Primary to Secondary isolation	= 2500VAC
Operating Frequency	= 50 / 60 Hz
Turns Ratio	= 1 : 1000
DC Resistance	= 49.30 Ω
Output Voltage	= 4.0V @ 40A / 100Ω, 0.1600W
Io @ Vrms : 5.82V	= 914μArms
Ratio Correction factor (RCF*)	= 1.026@10% (Multiply current reading by this factor to compensate for transformer losses)

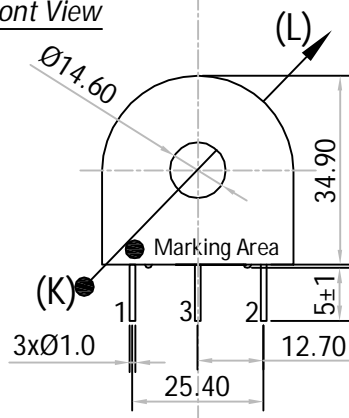
Volt/Amp at rated Ip for different loads			
100Ω	500Ω	2000Ω	5000Ω
0.10	0.46	0.87	1.05

MECHANICAL SPECIFICATION:

Pin Side View

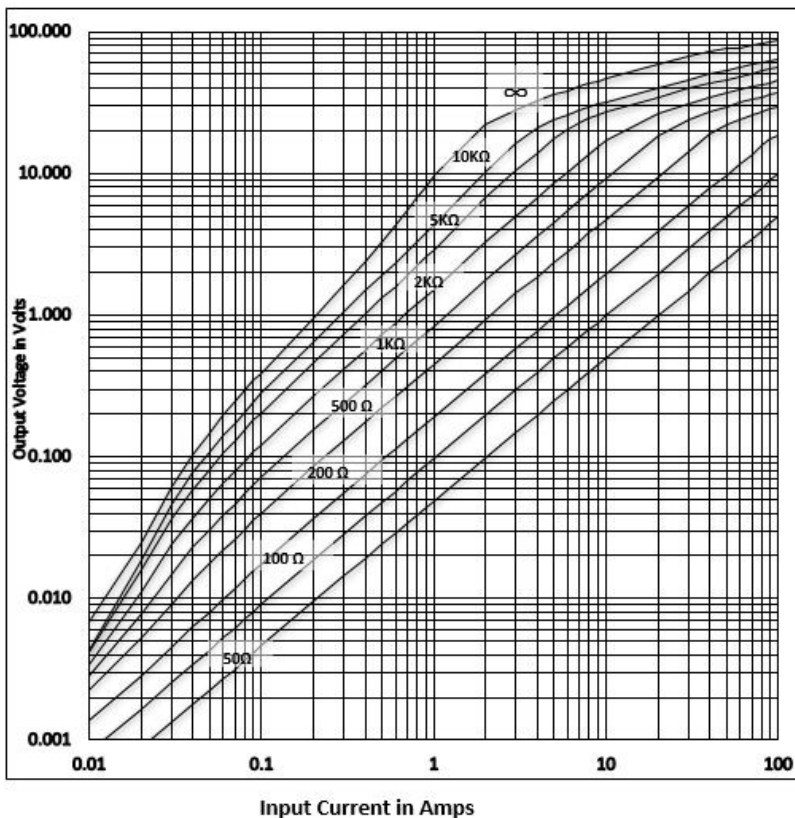


Front View



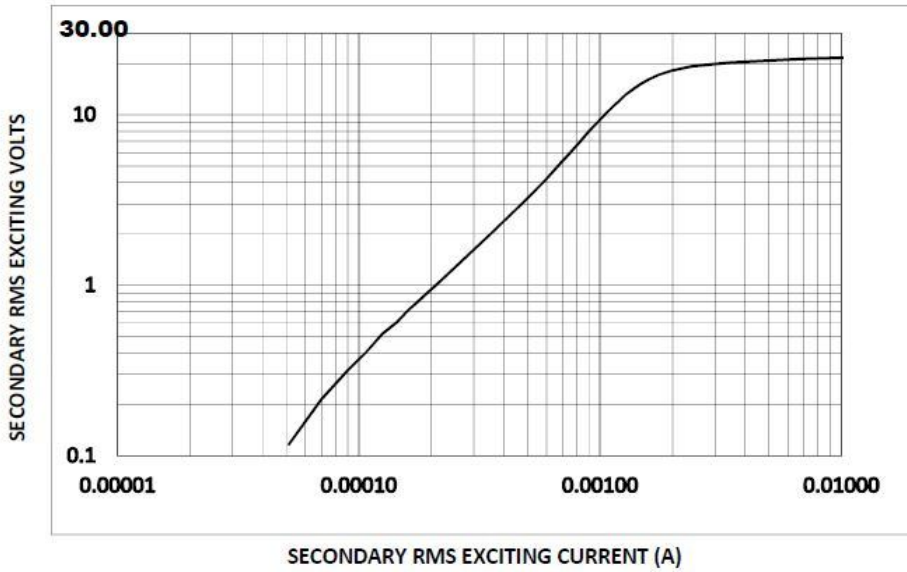
All dimensions are in mm
Linear dimensional tolerance ±0.2mm

OUTPUT RESPONSE vs INPUT CURRENT @ RATED BURDEN :

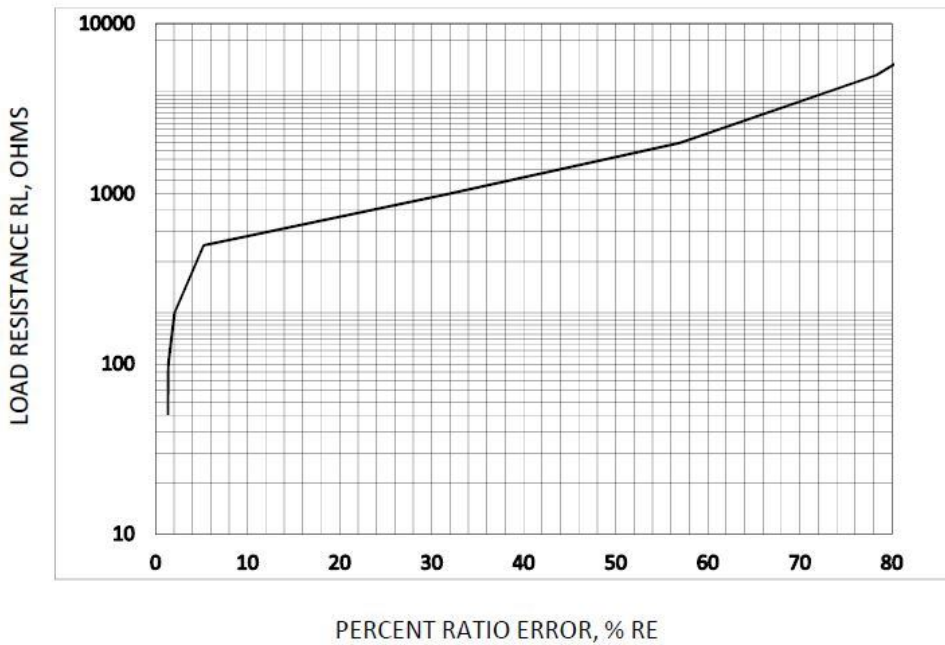


Note : Un-Used pin → #3

TYPICAL EXCITATION CURVE :



RATIO ERROR (%) vs RATED BURDEN @ INPUT CURRENT :



TRAFO WEIGHT:

Approx. Weight = 0.0473 kg / pc

MARKING INFORMATION:

L01-6216
 Ac yr / wk code
 ●
 Dot mark for Start pin identification

-----Initial Issue-----	1	0	Balaji. R	18-Nov'2015
Changes	Issue	Rev	Initial	Date