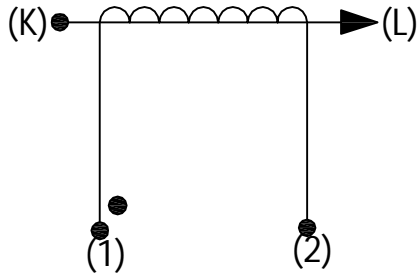




Product Type	Current Transformer
AMGIS Part Number	#u
Customer Part Number	
Place of Manufacture	

SCHEMATIC:



ELECTRICAL SPECIFICATION:

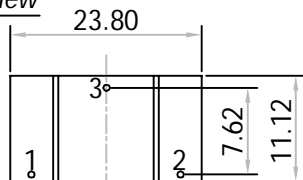
Rated input current = 5Amps
 Primary to Secondary isolation = 2500VAC
 Operating Frequency = 50 / 60 Hz
 Turns Ratio = 1 : 1000
 DC Resistance = 41.80 Ω
 Output Voltage = 0.5V @ 5A / 100Ω, 0.0025W
 I_o @ V_{rms} : 0.66V = 237μArms
 Ratio Correction factor (RCF*) = 1.01 @ 10% (Multiply current reading by this factor to compensate for transformer losses)

Volt/Amp at rated I _p for different loads			
100Ω	500Ω	2000Ω	5000Ω
0.10	0.46	1.43	2.01

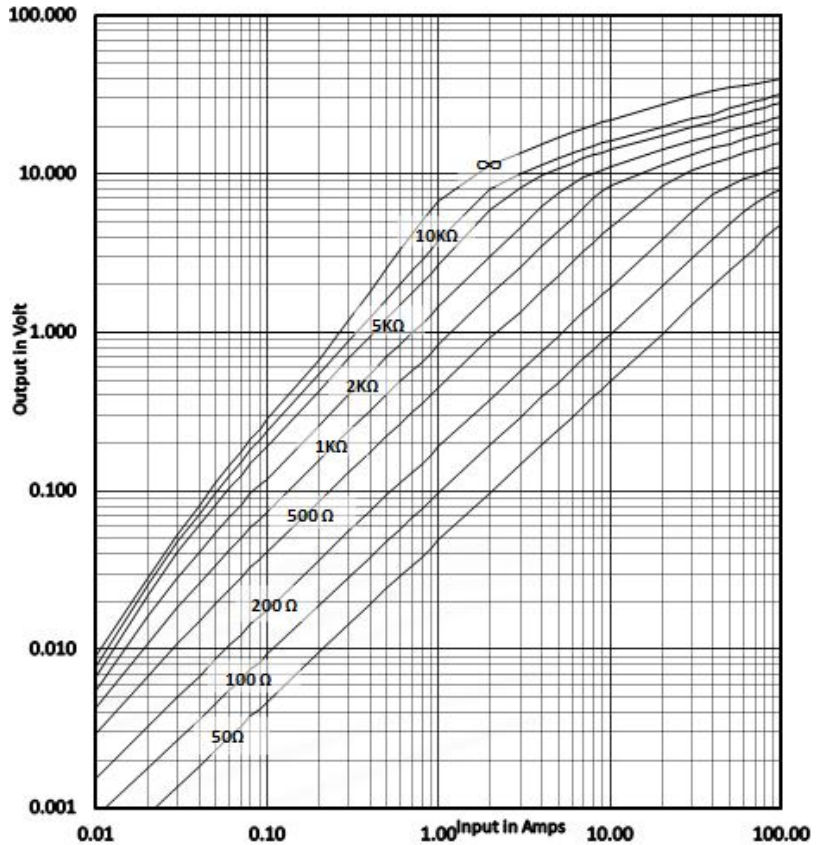
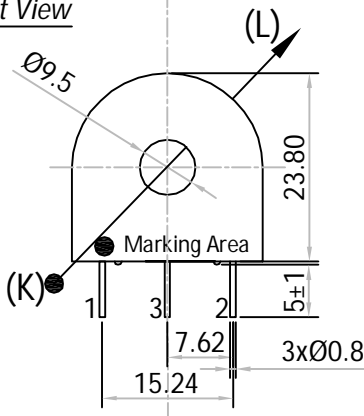
MECHANICAL SPECIFICATION:

OUTPUT RESPONSE vs INPUT CURRENT @ RATED BURDEN :

Pin Side View



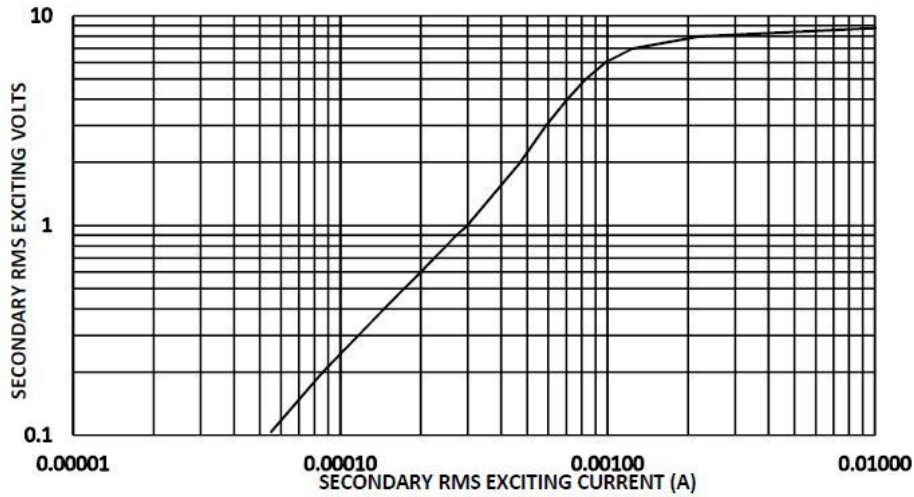
Front View



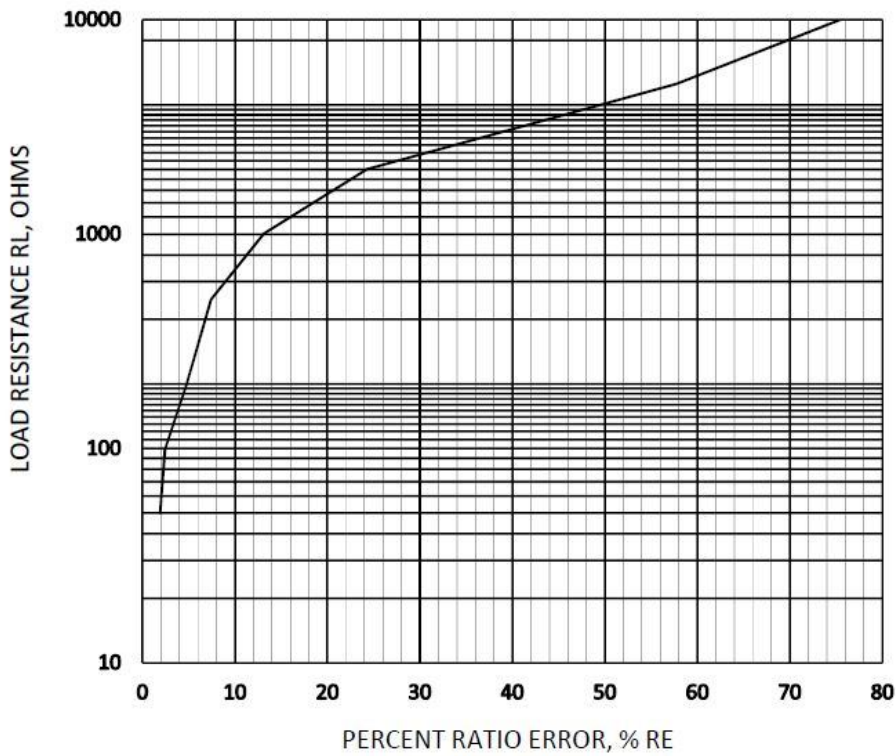
All dimensions are in mm
Linear dimensional tolerance ±0.2mm

Note : Un-Used pin → #3

TYPICAL EXCITATION CURVE :



RATIO ERROR (%) vs RATED BURDEN @ INPUT CURRENT :



TRAFO WEIGHT:

Approx. Weight = 0.0163 kg / pc

MARKING INFORMATION:

L01-6210
 Ac yr / wk code
 ●
 Dot mark for Start pin identification

-----Initial Issue-----	1	0	Balaji. R	18-Nov'2015
Changes	Issue	Rev	Initial	Date