

EPC-X200

Embedded 3.5" SBC Chassis for PCM-9376



Features

- 3.5" SBC chassis supports front & rear I/O interfaces
- Fanless system with wall-mount & desk mount support; mounting flange is removable
- Bottom door for access Memory, mPCIe module, mSATA, PCA-COM modules, 2.5" HDD
- Flexible cutouts I/O in the rear bezel up to 7 x COM , 4 x USB, audio, and RJ45
- Support up to 8 COM port thru PCA-COM LPC module
- Easy assembling & maintenance of 2.5" hard disk
- Supports dedicated Advantech 3.5" SBC: PCM-9376

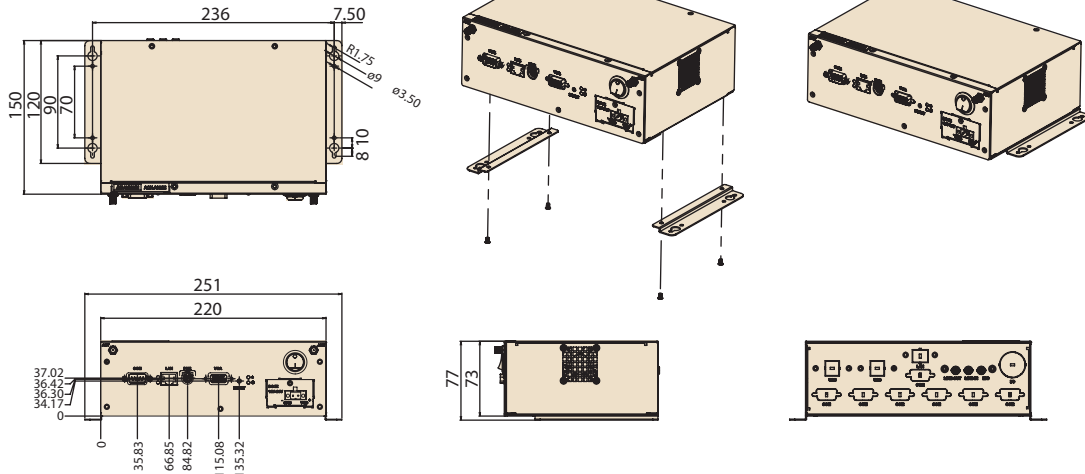


Specifications

Support Board	PCM-9376		
Processor System	CPU	CPU AMD® G-Series™ T40E / T16R	
	Frequency	1.0GHz (dual-core) / 615MHz (single-core)	
	L2 Cache	512 KB	
	System Chipset	AMD T40E/T16R + A55E	
Memory	Technology	DDR3/DDR3L 1066 MHz	
	Max. Capacity	SODIMM up to 4 GB	
	Socket	1 x 204-pin SODIMM	
	On-board SDRAM	1 GB	
Display	Chipset	AMD T40E/T16R processor	
	Graphic Engine	DirectX 11 graphics with UVD 3.0, Open CL 1.1, Open GL 4.0 Hardware decode (UVD 3) for H.264, VC-1 and MPEG2	
	LVDS	Optimized shared memory Architecture up to 384 MB system memory	
	VGA	48-bit LVDS up to 1920 x 1200 at 60Hz (PCM-9376E)	
	TTL	Up to 1920 x 1200 at 85Hz	
Ethernet	Dual Display	VGA+LVDS, VGA+TTL, LVDS+TTL	
	Speed	Speed 10/100/1000 Mbps	
Disk Drive Bay	Controller	Controller GbE1/2: Realtek RTL8111E-VL-CG	
	2.5" (internal)		
Front I/O Openings	COM	1 (RS-232/422/485)	
	RJ45	1	
	PS/2	1	
	VGA	1	
	Reset button	1	
Rear I/O Openings	COM	7 (2 RS-232, 1 RS-232/422/485 , 4 reserved for PCA-COM modules to extend additional 4 COM ports)	
	RJ-45	1	
	USB	4	
	Audio	1(Mic-in, Line-out, Line-in)	
	Antenna	2	
	Circular cutouts	1(Reserved for LVDS cable)	
Miscellaneous	LED Indicators	Power, HDD	
	Control	Power switch (Rocker type)	
Power requirement	Power Type	AT	
	Power Input Voltage	12V & 5V (5V for SBC boot up, 12V for LVDS inverter, FAN and PC/104)	
	Connector type	4-Pole Phoenix DC plug in	
Environment	Operating	Non-operating	
	Temperature	0 ~ 40° C (32 ~ 104° F) w/ 0.7m/s airflow w/o system Fan	-20 ~ 60° C (-4 ~ 140° F)
	Humidity	40° C @ 95% RH Non-Condensing	60° C @ 95% RH non-condensing
	Random Vibration (5 ~ 500 Hz)	1 Grms (w/o 2.5" HDD), IEC 60068-2-64	N/A
	Shock	10 G, IEC 60068-2-27, half sine (w/o 2.5" HDD)	
	Certification	EMC CE/FCC Class A	
Physical Characteristics	Mounting	Desk/wall-mounting, VESA mounting(by request),Din-Rail mounting (by request)	
	Dimensions (W x H x D)	System dimension: 220 x 73 x 150 mm System dimension with mounting bracket: 251 x 77 x 150 mm	
	Weight	0.95 kg (2.09 lb)	

Dimensions

Unit: mm



Ordering Information

Part Number	Recommended 3.5" SBC	System Fan	Power Supply	Power cable	Regulation
ACK-A002E-00A1E	PCM-9376, PCM-9375(Supported by request)	1750007682-01 (optional)	XESBC-SPU45E-201-P	required, refer to optional accessories	CE/FCC

Power Supply Options

Part Number	Watts	Input	Output	Operating Temperature	Dimensions	Safety	MTBF
XESBC-SPU45E-201-P (AC-DC, w/o PFC)	42 W	AC 100 ~ 240 V	Max. 12V@1.41A, 5V@5A Typ. 12V@1.71A, 5V@4.28A	0 ~ 40° C (32 ~ 104° F)	69.5 x 47.5 x 23.5 mm	CE/FCC/CCC/UL/ CB/ PSE/ GS	100,000 hours @ 25° C

Packing List

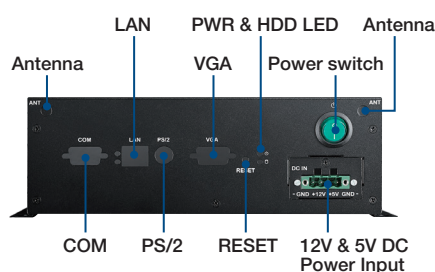
Part Number	Description	Quantity
ACK-A002E	Chassis	1
	Startup Manual	1
1935030500	M3 screw for mounting SBC	4
1930000058	M3 post 19mm height for mounting SBC	4
1930004607	M3 screw for mounting 2.5" SATA HDD	4
1930041010	T4*10L screw for mounting FAN	4
1990022958S0003	Cable tie black 99X2.5X1.0t YJ-100-B	3
1700018730	2 port USB cable 25cm	2

Optional Accessories

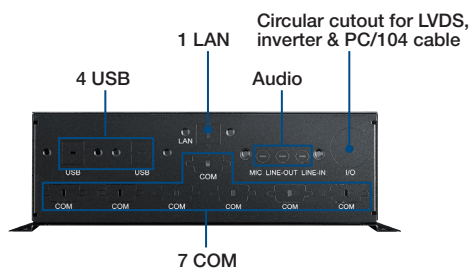
Part Number	Description
XESBC-SPU45E-201-P	DC power Max.12V@1.41A, 5V@5A 42Watts
1702002600-01	Power cable 3-pin 183 cm, USA type
1700018704	Power cable 3-pin 180 cm, UK type
1700018705	Power cable 3-pin 183 cm, Europe type
1700000237-01	Power cable 3-pin 183 cm, PSE type
TBD	System Fan
PCA-COM232-00A1E	4 RS-232 LPC extension module, 31.5 x 48 mm
PCA-COM485-00A1E	4 RS-422/485 LPC extension module, 31.5 x 48 mm

Note: DC power and power cable are required for system operation.

Front View



Rear View



Installation

