

# W-POS Series

WP-7530-PD50/WP-7530-ER50  
WP-7530-PD60/WP-7530-ER60

15" Bezel Free Wall-mount POS with Intel D525 & Ivy Bridge Processor



## Features

- 15" TFT LCD (LED backlight) with Bezel Free P-CAP or 5-wire Resistive Touch
- Fanless Operation with Intel Processor
- Integrated Stereo 2W+2W System Speakers
- 3 Mounting Options Available
- Unique Stand Base with Color and Logo Customization on the Back Cover (Option)
- Provide a Seamless and Smooth Surface and Resistant to Water, Dust, Grease, and Food Build-up
- Support 12V and 24V Powered USB Ports (Option)
- Support 12V/24V Powered USB
- Device Option: MSR, iButton, Fingerprint, IC card reader, RFID and WiFi
- Support WiFi (802.11b/g/n) and RFID(13.56MHz) with ISO 15693, ISO 14443 A/B
- RoHS Compliance

System	WP-7530-PD50 WP-7530-ER50	WP-7530-PD60 WP-7530-ER60
<b>CPU</b>	Intel® Atom™ Processor D525 1.8 GHz	Intel® IVY Bridge Processor Celeron / i3 / i5 / i7
<b>Cache Memory</b>	1MB 2nd Level Cache Memory	Smart cache memory (base on CPU)
<b>System Chipset</b>	Intel® D525 with ICH8M	Intel® QM77 (IVY Bridge)
<b>System Memory</b>	Default 1GB, maximum up to 4GB	Maximum up to 8GB

Storage		
<b>HDD Driver</b>	1 x 2.5" SATA HDD/SSD bay	
Main Display		
<b>Resolution</b>	15" TFT LCD (LED backlight) / 1024 x 768	
<b>Brightness</b>	250 cd/ m <sup>2</sup>	
<b>Touch Screen</b>	Bezel free 5-wire resistive touch Bezel free P-CAP touch	

I/O	WP-7530-PD50 WP-7530-ER50	WP-7530-PD60 WP-7530-ER60
<b>Serial Port</b>	COM 1 & COM 2 (RS232 with RJ45), COM 5 (RS232/RS422/RS485 with RJ45)	COM 1 & COM 2 (RS232 with RJ45), COM 5 (RS232/RS422/RS485 with RJ45)
<b>USB Port</b>	USB 2.0 x 6	USB 2.0 x 4, USB 3.0 x 2
<b>Video Output</b>	VGA port	HDMI & VGA Port
<b>Audio</b>	Line out x 1, Speaker 2W x 2	
<b>Ethernet</b>	RJ-45 Gigabit Ethernet (10/100/1000) x 1	
<b>Parallel Port</b>	Bi-directional Parallel (D-Sub25 ) x 1	
<b>Cash Drawer</b>	RJ-11, 12V (default) / 24V (optional)	
<b>Power Button</b>	Power Switch (LED inside)	

Modular Option		
<b>Second Display</b>	<ul style="list-style-type: none"> <li>• 15" / 10.1" TFT LCD (Touch/Non-Touch)</li> <li>• VFD Display( 2 x 20, 5 or 9 mm Dot Character)</li> </ul>	
<b>MSR</b>	<ul style="list-style-type: none"> <li>• MSR</li> <li>• iButton</li> <li>• Fingerprint</li> </ul>	<ul style="list-style-type: none"> <li>• IC card reader</li> <li>• RFID (13.56MHz)</li> <li>• WiFi (802.11b/g/n)</li> </ul>
<b>MSR (2-in-1)</b>	<ul style="list-style-type: none"> <li>• MSR + iButton</li> <li>• MSR + Fingerprint</li> <li>• MSR + IC card reader</li> </ul>	<ul style="list-style-type: none"> <li>• MSR + RFID (13.56MHz)</li> <li>• MSR + WiFi (802.11b/g/n)</li> </ul>
<b>Logo Cover</b>	Back Logo & Stand Logo	

Mounting Option		
<b>Stand Base</b>	Counter Top Base, adjustable View Angle (default)	
<b>Wall Mount</b>	VESA Mount Bracket	
<b>Pole Mount</b>	Swing-arm Mounts, adjustable angle VESA	

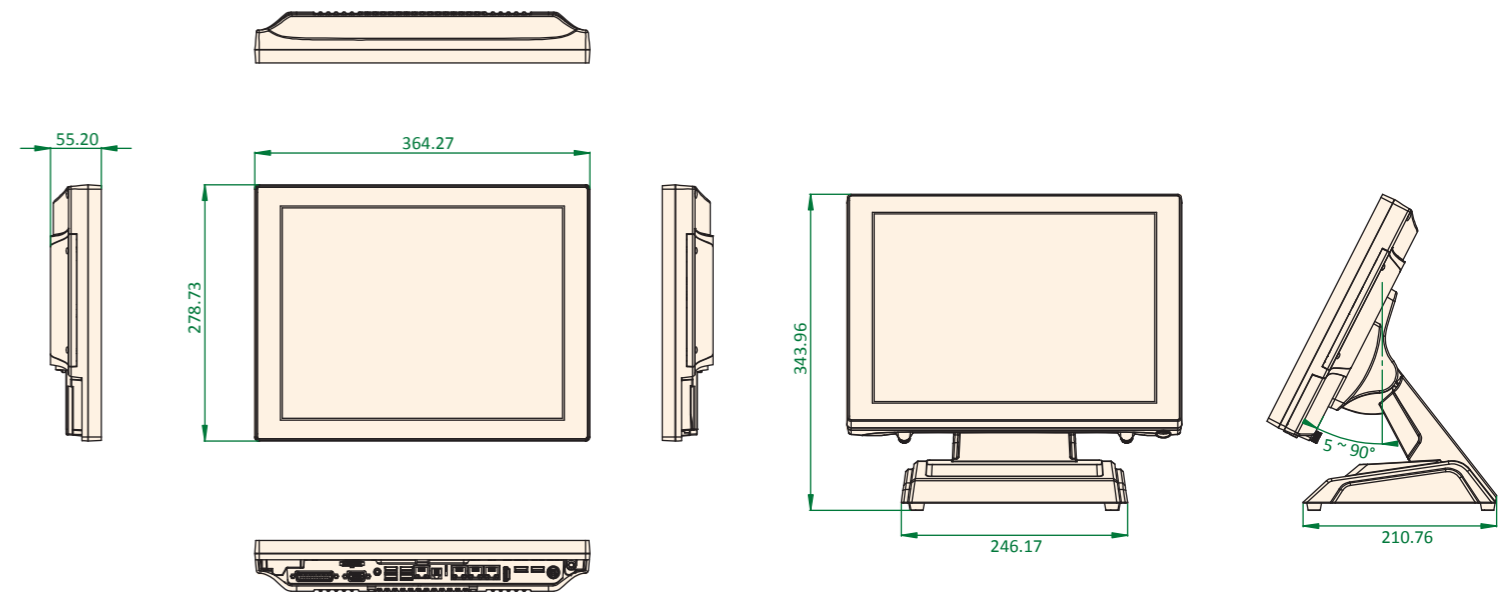
Mechanical & Environmental	WP-7530-PD50 WP-7530-ER50	WP-7530-PD60 WP-7530-ER60
<b>Case Material</b>	Aluminum die-casting (rear) and plastic housing (front)	
<b>Case Color</b>	Black	
<b>Power Supply</b>	12V / 60Watt Power Adaptor	19V /90Watt Power Adaptor
<b>Dimensions &amp; Weight</b>	Stand base type Metric: 211 (D) x 365 (W) x 326 (H)mm / 6 Kg Wall mount type Metric: 59 (D) x 365 (W) x 279 (H)mm / 4.5 Kg	
<b>IP Certification</b>	IP65 sealed front panel with touch screen	
<b>EMI / Safety</b>	CE, FCC, RoHS	

Software		
<b>OS Support</b>	POS Ready 2009, Windows XP, POS Ready 7, Window 7 Pro	

# ▶ W-POS Series

WP-7530-PD50/WP-7530-ER50  
WP-7530-PD60/WP-7530-ER60

## Dimensions



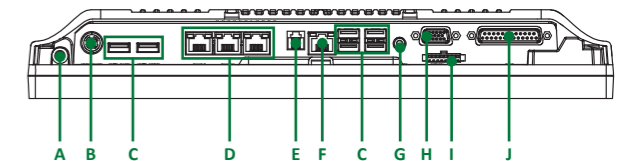
Unit: mm

## Ordering Information

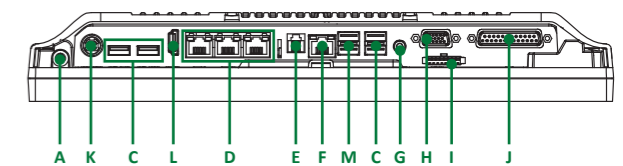
Part No.	Description
ADP-WP-7530-ER5AX	WP-7530, Resistive T/S, D525, 2G RAM, Black, OEM Logo
ADP-WP-7530-ER6AY	WP-7530, Resistive T/S, Core i5-3610ME, 4G RAM, Black, OEM Logo
ADP-WP-7530-PD5AX	WP-7530, PCAP, D525, 2G RAM, Black, OEM Logo
ADP-WP-7530-PD6AY	WP-7530, PCAP, Core i5-3610ME, 4G RAM, Black, OEM Logo
ADP-MR-2001-07000	MSR PS2 WP7 Black
ADP-MR-2020-07000	RFID USB WP7 Black
ADP-MR-2051-07000	MSR+ Finger Printer PS2 WP7 Black
ADP-MR-2061-07000	MSR+ iButton PS2 WP7 Black
ADP-MR-2071-07000	MSR+ RFID PS2 WP7 Black
ADP-MR-2081-07000	MSR+ IC Card Reader PS2 WP7 Black
ADP-VD-1020-500A0	Rear VFD WP2029C WP7 Black
ADP-VD-1120-500A0	Rear VFD WP2025C WP7 Black
ADP-2D-011A-00000	10.1 Rear mount VGA WP7 GX Black
ADP-2D-012A-53000	10.1 Pole VGA WP7 PLP 22CM Glass w/o LOGO Black
ADP-2D-062A-12000	15Plastic BF1 Pole VGA WP7 ALP 15CM GX BK

## Fully-Integrated I/O

WP-7530-XX50



WP-7530-XX60



- A. Power Button
- B. DC 12V Input
- C. USB 2.0
- D. COM (RI, 5V, 12V optional)
- E. RJ11 (12V only)
- F. LAN
- G. Line-Out
- H. VGA
- I. 12V output
- J. LPT
- K. DC 19V Input
- L. HDMI
- M. USB 3.0