

2-Port Serial 550-Value Quick Installation Guide

Introducing the 2-Port Serial 550-Value

The *2-Port Serial 550-Value* provides two 16550 UART serial ports which supports data transfer rates up to 16 Mb/s.

Features and Benefits

- Adds 2 RS-232 9-pin serial ports to your PCI enabled system
- Compliant with PCI Local Bus Specification, Revision 2.3
- 16C550 UART and supports serial data rate up to 16 Mb/s
- Deep FIFOs enable high serial data throughput and reduce CPU utilization
- Conforms to PCI v2.2 Plug and Play
- Can be installed in 32-/64-bit, 3.3v/5v PCI and PCI-X slots
- Full support for DOS- and Windows-based software

System Requirements

- Pentium or equivalent computer with an available PCI slot
- Windows® 7 (32-/64-bit) / Vista (32-/64-bit) / XP (32-/64-bit) / Server 2003 & 2008 (32-/64-bit) / 2000 / ME / 98SE / 98 / 95, DOS

Package Contents

- *2-Port Serial 550-Value*
- Driver CD
- Quick installation guide

Board Layout

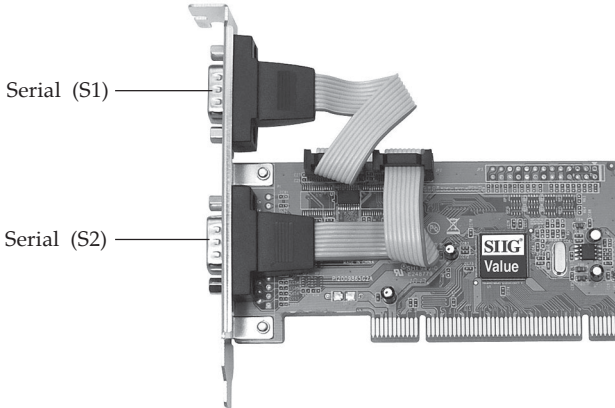


Figure 1: Layout

Hardware Installation

General instructions for installing the card are provided below. Since the design of computer cases and motherboards vary, refer to your computer's reference manual for further information, if needed.

Static Electricity Discharge may permanently damage your system. Discharge any static electricity build up in your body by touching your computer case for a few seconds. Avoid any contact with internal parts and handle cards only by their external edges.

1. Turn OFF the power to your computer.

2. Unplug the power cord and remove your computer's cover.
3. Remove the slot bracket from an available PCI slot.
4. Carefully align the card to the selected PCI slot, push the board down firmly, but gently, until it is well seated.
5. Replace the slot bracket screw to secure the card.
6. Replace the computer cover and reconnect the power cord.

Software Installation

This section provides the steps on how to install the *2-Port Serial 550-Value* drivers. Please make sure the board is installed before proceeding with the driver installation.

Windows 7 (32-/64-bit)

1. Install the board and boot up Windows.
2. Right click **Computer**, click **Manage**, click **Device Manager**.
3. Insert the driver CD. Close the **AutoPlay** box if prompted.
4. Right click **PCI Serial Port** listed first, click **Update Driver Software**.
5. Click **Browse my computer for updated software**.
For Windows 7 (32-bit): Type **D:\32bit**, click **Next**.
(Change **D:** to match your CD-ROM drive letter)
For Windows 7 (64-bit): Type **D:\64bit**, click **Next**.
(Change **D:** to match your CD-ROM drive letter)
6. At **Windows has successfully updated your driver software**, click **Close**.

7. Right click **PCI Serial Port**, click **Update Driver Software**.
8. Repeat steps 5 & 6 to complete the installation.

Windows Vista (32-bit)

1. At the **Found New Hardware** window, click **Locate and install driver software (recommended)**, click **Continue**.
2. Click **I don't have the disc. Show me other options**.
3. Click **Browse my computer for driver software**.
4. Insert the driver CD. Close the **AutoPlay** box if prompted.
5. Type **D:\32bit**, click **Next**. (Change **D:** to match your CD-ROM drive letter)
6. At **The software for this device has been successfully installed**, click **Close** to complete the installation.

Windows Vista (64-bit)

1. At the **Found New Hardware** window, click **Locate and install driver software (recommended)**, click **Continue**.
2. Click **Don't search online**.
3. Click **I don't have the disc. Show me other options**.
4. Click **Browse my computer for driver software**.
5. Insert the driver CD. Close the **AutoPlay** box if prompted.
6. Type **D:\64bit**, click **Next**. (Change **D:** to match your CD-ROM drive letter)
7. At **The software for this device has been successfully installed**, click **Close** to complete the installation.

Windows XP (32-bit)

1. At the **Found New Hardware Wizard**.
For XP SP2 or later: Select **No, not this time**, click **Next**. Select **Install from a list or specific location (Advanced)**, then click **Next**.
For XP SP1 or earlier: Select **Install from a list or specific location (Advanced)**, then click **Next**.
2. Insert the driver CD, check **Include this location in the search**, uncheck the other box, type **D:\32bit**, then click **Next**. (Change **D:** to match your CD-ROM drive letter)
3. Click **Finish** to complete the installation.

Windows XP (64-bit)

1. At the **Found New Hardware Wizard**, select **No, not this time**, click **Next**.
2. Select **Install from a list or specific location (Advanced)**, click **Next**.
3. Insert the driver CD, check **Include this location in the search**, uncheck the other box, type **D:\64bit**, click **Next**. (Change **D:** to match your CD-ROM drive letter)
4. Click **Finish** to complete the installation.

Windows Server 2003 (32-bit)

1. At the **Found New Hardware Wizard**.
For Server 2003 SP1 or later: Select **No, not this time**, click **Next**. Select **Install from a list or specific location (Advanced)**, then click **Next**.
For Server 2003: Select **Install from a list or specific location (Advanced)**, then click **Next**.

2. Insert the driver CD, check **Include this location in the search**, uncheck the other box, type **D:\32bit**, then click **Next**. (Change **D:** to match your CD-ROM drive letter)
3. Click **Finish** and restart Windows to complete the installation.

Windows Server 2003 (64-bit)

1. At the **Found New Hardware Wizard**, select **No, not this time**, click **Next**.
2. Select **Install from a list or specific location (Advanced)**, click **Next**.
3. Insert the driver CD, check **Include this location in the search**, uncheck the other box, type **D:\64bit**, click **Next**. (Change **D:** to match your CD-ROM drive letter)
4. Click **Finish** to complete the installation.

Windows Server 2008 (32-bit)

1. At **Found New Hardware** window, click **Locate and install driver software (recommended)**.
2. Click **Don't search online**.
3. Click **I don't have the disc. Show me other options**.
4. Click **Browse my computer for driver software**.
5. Insert the driver CD. Type **D:\32bit**, then click **Next**. (Change **D:** to match your CD-ROM drive letter)
6. Click **Close** to complete the installation.

Windows Server 2008 (64-bit)

1. At **Found New Hardware** window, click **Locate and install driver software (recommended)**.

2. Click **Don't search online**.
3. Click **I don't have the disc. Show me other options**.
4. Click **Browse my computer for driver software**.
5. Insert the driver CD. Type **D:\64bit**, then click **Next**. (Change **D:** to match your CD-ROM drive letter)
6. Click **Close** to complete the installation.

Windows 2000

1. At the **Found New Hardware Wizard**, click **Next**.
2. Select **Search for a suitable driver for my device (recommended)**, then click **Next**.
3. Select **Specify the location**, uncheck the other boxes, then click **Next**.
4. Insert the driver CD, type in **D:\2000**, then click **OK**. (Change **D:** to match your CD-ROM drive letter)
5. Click **Next**, then **Finish** to complete the installation.

Windows ME

1. At the **Add New Hardware Wizard**, choose **Specify the location of the driver (Advanced)**, then click **Next**.
2. Check **Specify a location**, uncheck the other box, insert the driver CD, type in **X:\ME**, then click **Next, Next**. (Change **X:** to match your CD-ROM drive letter)
3. Click **Finish** to complete the installation.

Windows 98SE /98

1. At the **Add New Hardware Wizard**, click **Next**.
2. Select **Search for the best driver for your device (Recommended)**, then click **Next**.

3. Select **Specify a location**, uncheck the other boxes, insert the driver CD, type in **D:\ME**, then click **Next, Next**. (Change **D:** to match your CD-ROM drive letter)
4. Click **Finish** to complete the installation.

Windows 95

1. At the **Update Device Driver Wizard**, click **Next**.
2. Insert the driver CD. Click **Other Locations**.
3. Type **D:\ME**, click **OK**, then click **Finish**. (Change **D:** to match your CD-ROM drive letter)
4. At the **Insert Disk** window, click **OK**. When the **Copying Files** dialog box appears, type in **D:\ME**, then click **OK** to complete the installation. (Change **D:** to match your CD-ROM drive letter)

To Verify Windows Installation

Windows 7 (32-/64-bit)

1. Right click **Computer**, click **Manage**, then click **Device Manger**.
2. Double click **Ports (COM & LPT)**, two **High-Speed PCI Serial Port...** should be listed.

Windows Vista (32-/64-bit)

1. Right click **Computer**, click **Manage**, click **Continue**, then click **Device Manger**.
2. Double click **Ports (COM & LPT)**, two **High-Speed PCI Serial Port...** should be listed.

Windows XP (32-/64-bit) / Server 2003 (32-/64-bit) / 2000

1. Right click **My Computer**, click **Manage**, then click **Device Manger**.

2. Double click **Ports (COM & LPT)**, two **High-Speed PCI Serial Port...** should be listed.

Windows Server 2008 (32-/64-bit)

1. Right click **Computer**, click **Manage**, double click **Diagnostics**, click **Device Manager**.
2. Double click **Ports (COM & LPT)**, two **High-Speed PCI Serial Port...** should be listed.

Windows ME / 98SE / 98 / 95

1. Right click **My Computer**, click **Properties**, click **Device Manager**.
2. Double click **Ports (COM & LPT)**, two **M65-PCI Serial Port...** should be listed.

DOS

1. Insert the driver CD. From the **C:\>** prompt, type **copy D:\dos*.***, and press **Enter**. (Change **D:** to match your CD-ROM drive letter)
2. Type **edit autoexec.bat**, and press **Enter**.
3. Add **C:\Gemdosin.exe -a -r** at the bottom of the **Autoexec.bat** file.
4. Go to **File**, save the changes and exit.
5. Restart your system for the new setup to take effect.

Blank Page

Technical Support and Warranty

QUESTIONS? SIIG's **Online Support** has answers! Simply visit our web site at www.siig.com and click **Support**. Our online support database is updated daily with new drivers and solutions. Answers to your questions could be just a few clicks away. You can also submit questions online and a technical support analysts will promptly respond.

SIIG offers a 2-year manufacturer warranty with this product. Please see our web site for more warranty details. If you encounter any problems with this product, please follow the procedures below.

- A) If it is within the store's return policy period, please return the product to the store where you purchased from.
- B) If your purchase has passed the store's return policy period, please follow these steps to have the product repaired or replaced.

Step 1: Submit your RMA request.

Go to www.siig.com, click **Support**, then **RMA** to submit a request to [SIIG RMA](#). Your RMA request will be processed, if the product is determined to be defective, an RMA number will be issued.

Step 2: After obtaining an RMA number, ship the product.

- Properly pack the product for shipping. All software, cable(s) and any other accessories that came with the original package must be included.
- Clearly write your RMA number on the top of the returned package. SIIG will refuse to accept any shipping package, and will not be responsible for a product returned without an RMA number posted on the outside of the shipping carton.
- You are responsible for the cost of shipping. Ship the product to the following address:

SIIG, Inc.

6078 Stewart Avenue

Fremont, CA 94538-3152, USA

RMA #: _____

- SIIG will ship the repaired or replaced product via Ground in the U.S. and International Economy outside of the U.S. at no cost to the customer.

About SIIG, Inc.

Founded in 1985, SIIG, Inc. is a leading manufacturer of IT connectivity solutions (including Serial ATA and Ultra ATA Controllers, FireWire, USB, and legacy I/O adapters) that bridge the connection between Desktop/ Notebook systems and external peripherals. SIIG continues to grow by adding A/V and Digital Signage connectivity solutions to our extensive portfolio. All centered around the distribution and switching of A/V signals over CAT5/6, these products include matrix switches, distribution amplifiers, extenders, converters, splitters, cabling, and more.

SIIG is the premier one-stop source of upgrades and is committed to providing high quality products while keeping economical and competitive prices. High-quality control standards are evident by one of the lowest defective return rates in the industry. Our products offer comprehensive user manuals, user-friendly features, and most products are backed by a lifetime warranty.

SIIG products can be found in many computer retail stores, mail order catalogs, and e-commerce sites in the Americas, as well as through major distributors, system integrators, and VARs.

PRODUCT NAME

2-Port Serial 550-Value

FCC RULES: TESTED TO COMPLY WITH FCC PART 15, CLASS B OPERATING ENVIRONMENT: FOR HOME OR OFFICE USE

FCC COMPLIANCE STATEMENT:

This device complies with part 15 of the FCC Rules. Operation is subject to the following two conditions: (1) This device may not cause harmful interference, and (2) this device must accept any interference received, including interference that may cause undesired operation.

THE PARTY RESPONSIBLE FOR PRODUCT COMPLIANCE

SIIG, Inc.
6078 Stewart Avenue
Fremont, CA 94538-3152, USA
Phone: 510-657-8688

2-Port Serial 550-Value is a trademark of SIIG, Inc. SIIG and the SIIG logo are registered trademarks of SIIG, Inc. Microsoft and Windows are registered trademarks of Microsoft Corporation. All other names used in this publication are for identification only and may be trademarks of their respective owners.