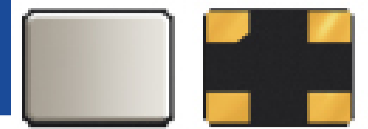


AUTOMOTIVE & INDUSTRIAL GRADE CERAMIC SMD ULTRA MINIATURE CRYSTAL



AAH-438-28.63636MHz-T3

3.2 x 2.5 x 0.8mm

 **RoHS/RoHS II Compliant**
MSL = N/A: NOT APPLICABLE

FEATURES

- PPAP ready and supported
- TS16949 certified production lines
- Miniature size and low profile package: 3.2 x 2.5 x 0.8mm
- AEC-Q200 qualified
- Low ESR with < 25Ω
- Hermetically sealed ceramic package assures high precision and reliability
- Extended operating temperature range: -40°C to +125°C
- RoHS compliant and Pb free

APPLICATIONS

- Navigation
- Comfort control
- Car entertainment system
- Instrument panel
- COTS Military
- Telematics
- Test equipment
- Industrial automation
- Industrial control
- Medical Electronics (non-life dependent)

STANDARD SPECIFICATIONS

Parameters	Minimum	Typical	Maximum	Units	Notes
Frequency Range	28.63636			MHz	
Operation Mode	Fundamental, AT-cut				
Operating Temperature	-40		+125	°C	
Storage Temperature	-40		+125	°C	
Frequency Tolerance @+25°C	-20		+20	ppm	
Frequency Stability over the Operating Temperature (ref. to +25°C)	-50		+50	ppm	
Equivalent series resistance (R1)			25	Ω	
Shunt capacitance (C0)			7	pF	
Load capacitance (CL)	12			pF	
Drive Level		10	100	μW	
Aging	-3		+3	ppm	@25°C±3°C First year
Insulation Resistance	500			MΩ	@ 100Vdc ± 15V

OPTIONS AND PART IDENTIFICATION (LEFT BLANK IF STANDARD)

AAH-438-28.63636MHz -

PACKAGING
Blank: Bulk
T3: 3kpcs/reel

AUTOMOTIVE & INDUSTRIAL GRADE CERAMIC SMD ULTRA MINIATURE CRYSTAL



AAH-438-28.63636MHz-T3

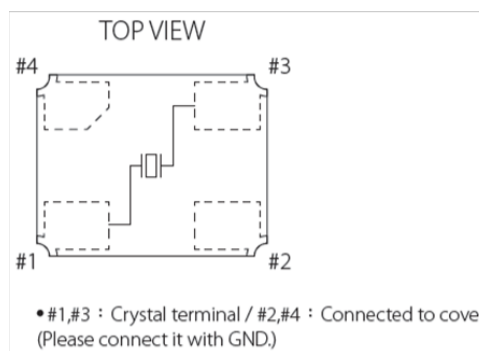
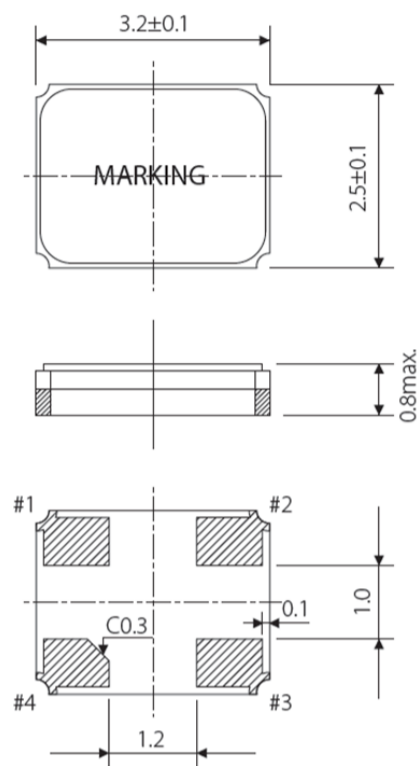
3.2 x 2.5 x 0.8mm



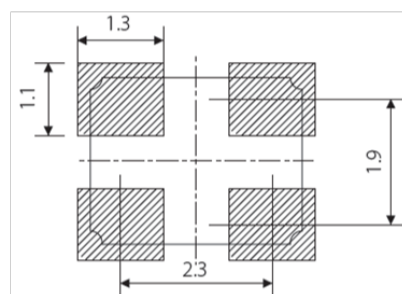
RoHS/RoHS II Compliant

MSL = N/A: NOT APPLICABLE

OUTLINE DRAWING

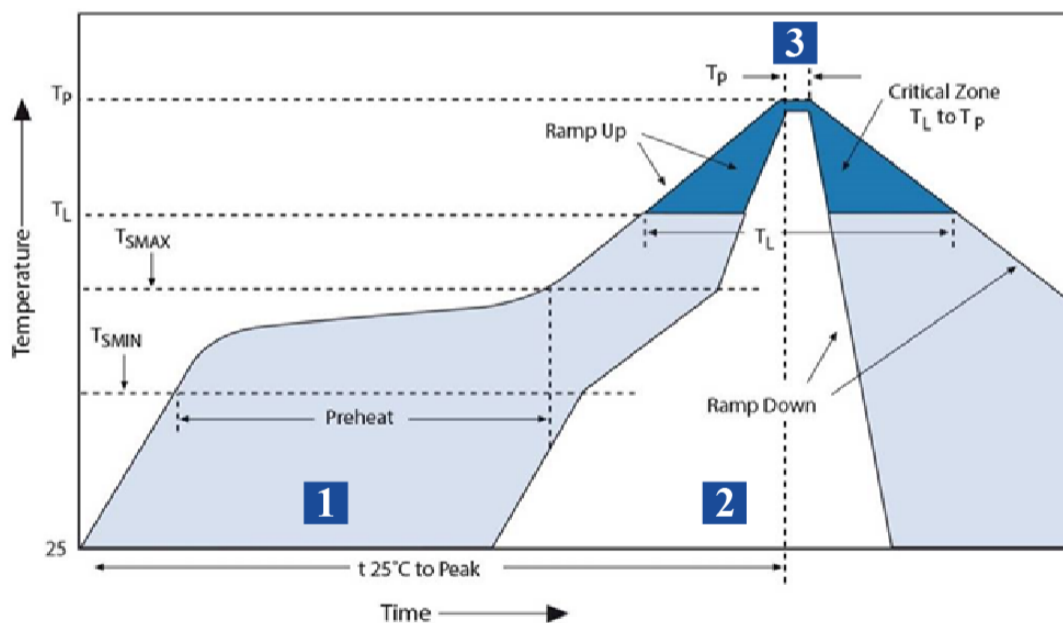


RECOMMENDED LANDING PATTERN



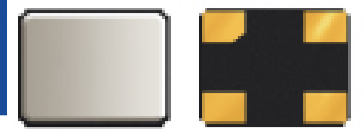
DIMENSIONS: mm

REFLOW PROFILE



Zone	Description	Temperature	Time
1	Preheat	$T_{SMIN} \sim T_{SMAX}$ 150°C ~ 180°C	60 ~ 120 sec.
2	Reflow	T_L 230°C	30 ~ 40 sec.
3	Peak Heat	T_P 260°C ± 5°C	10 sec.

AUTOMOTIVE & INDUSTRIAL GRADE CERAMIC SMD ULTRA MINIATURE CRYSTAL



AAH-438-28.63636MHz-T3

3.2 x 2.5 x 0.8mm



RoHS/RoHS II Compliant

MSL = N/A: NOT APPLICABLE

TAPE AND REEL

PACKAGING: T3: 3000PCS/REEL

