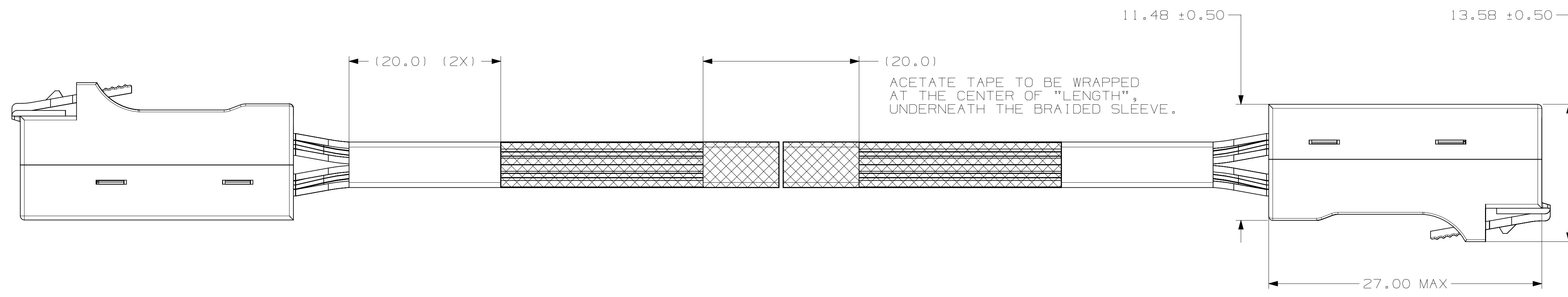
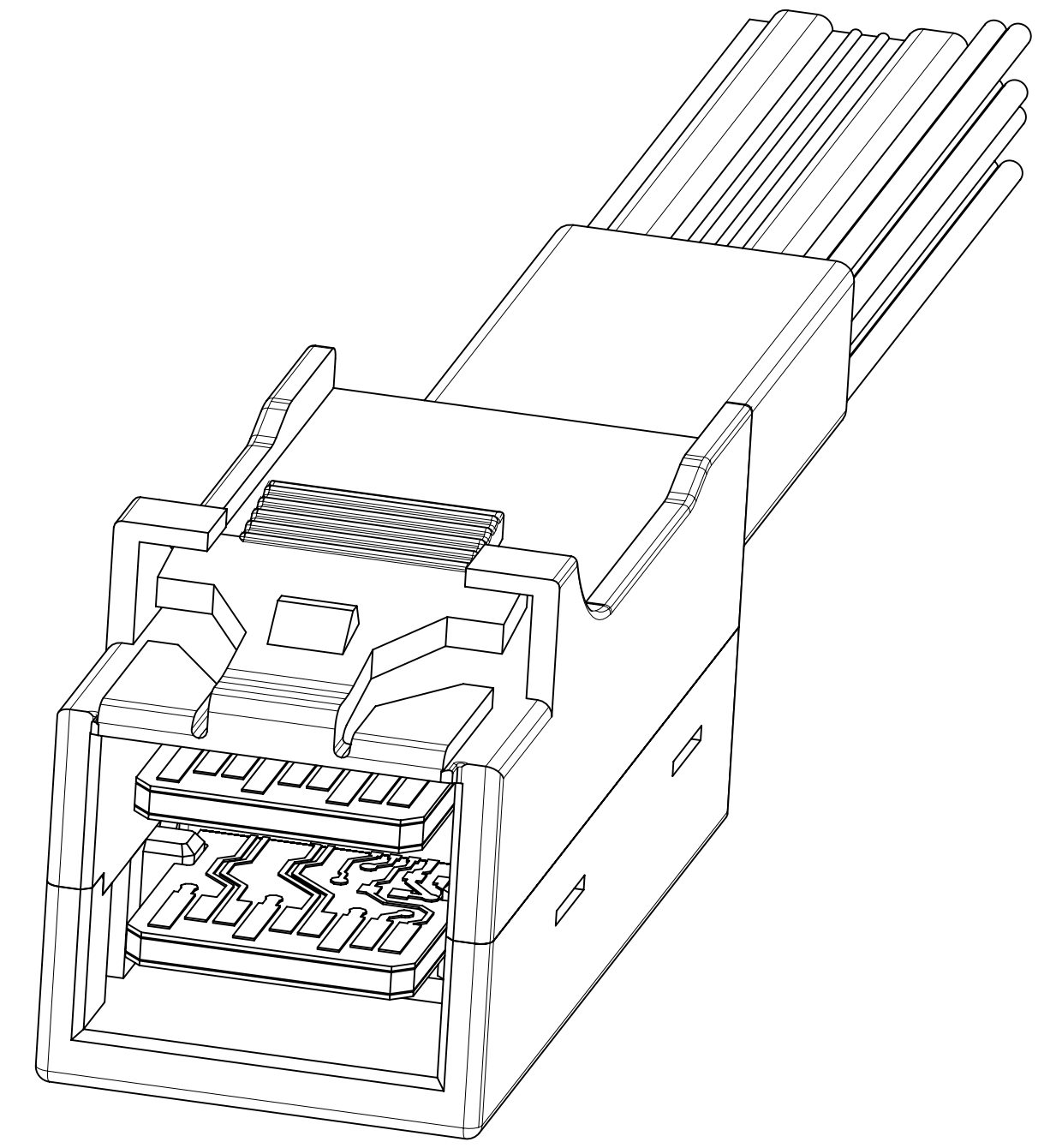
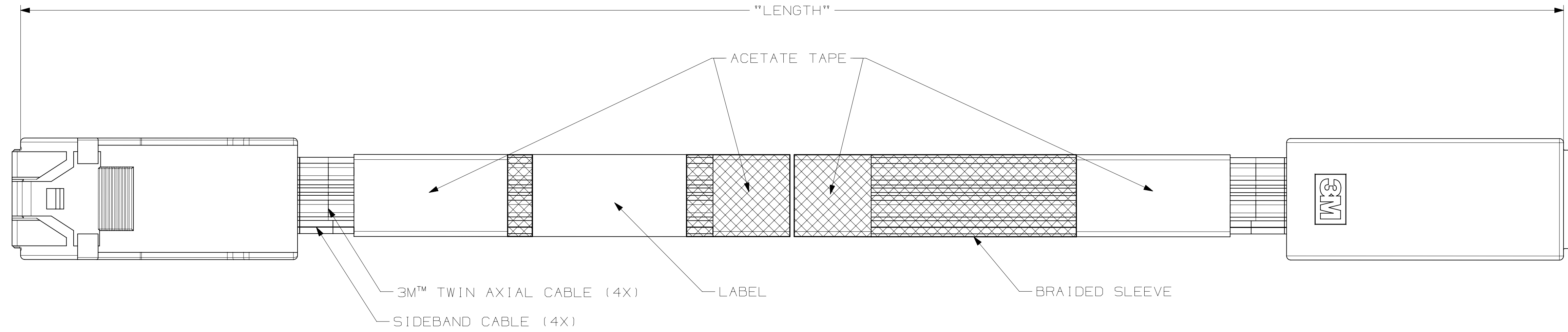
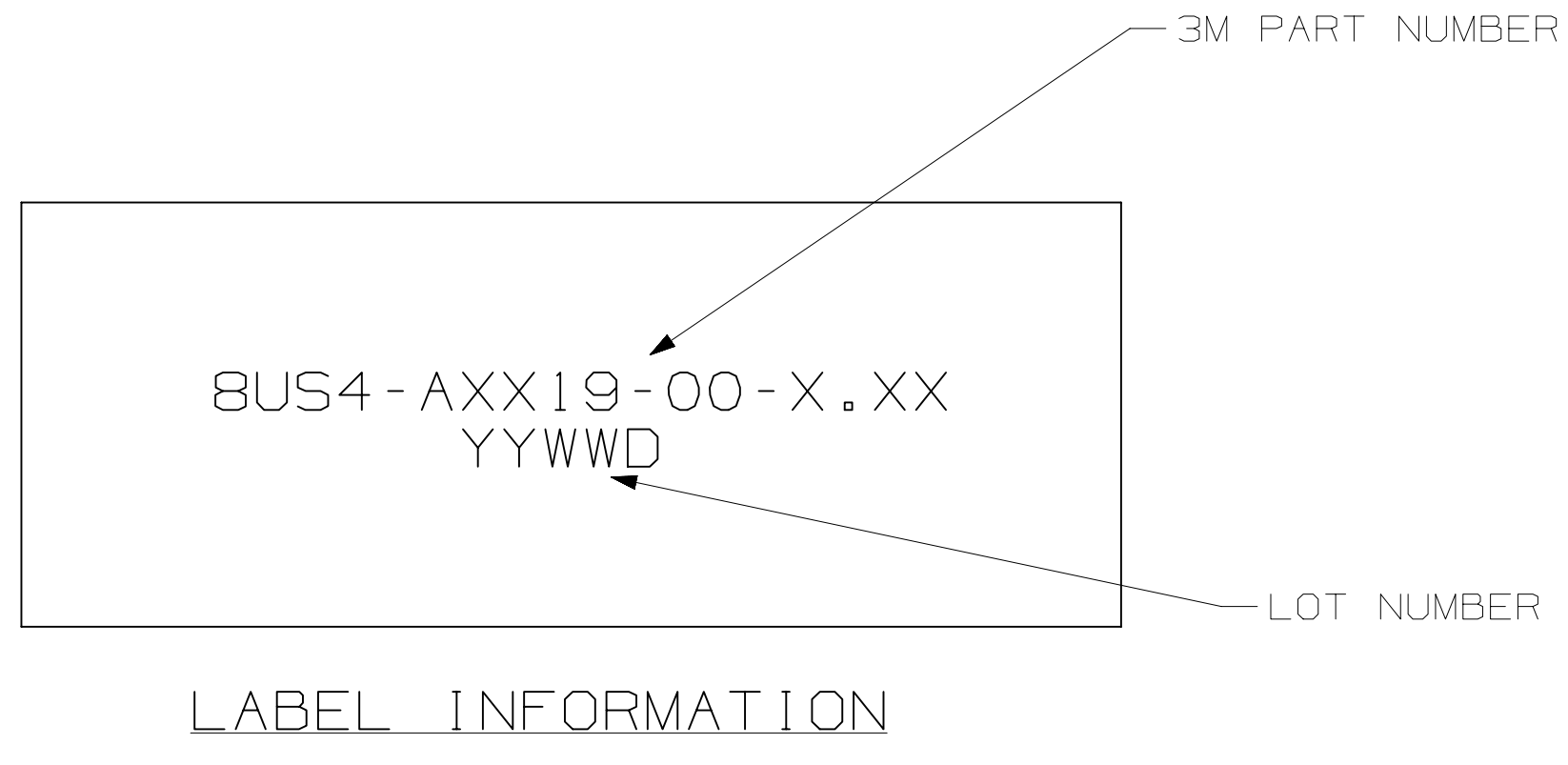


3M™ HIGH ROUTABILITY INTERNAL HD MINISAS CABLE ASSEMBLIES, 8U SERIES
 VISIT <http://www.3Mconnectors.com>



ACETATE TAPE TO BE WRAPPED AT THE CENTER OF "LENGTH", UNDERNEATH THE BRAIDED SLEEVE.



DESIGN REFERENCE	NEXT ASSEMBLY	REV	ECO	ISSUE DATE AND DESCRIPTION	DRFT	CHKD
		A	0044954	DEC 13, 2012	KHL	SB
DISTRIBUTION CODES		DRF	KOK HOE LEE	DATE	DATE	DATE
		CHKD	YUNLONG QIAO	APR 1, 2013	APR 1, 2013	APR 1, 2013
DIVISION	DIVISION CODE	APPR	SAJJIT BANDHU	DATE	DATE	DATE
				APR 1, 2013	APR 1, 2013	APR 1, 2013
DO NOT SCALE DRAWING	SCALE 1/4	TOLERANCES EXCEPT AS NOTED				
THIRD ANGLE PROJECTION		INCHES				
INTERPRET PER ASME Y14.5 - 1994		MILLIMETERS				
MAX SURFACE ROUGHNESS 125	<input type="checkbox"/> ALL SURFACES <input checked="" type="checkbox"/> MARKED ONLY	ANGLES ±1°				
		3M		© 3M COPYRIGHT 2013. This document and the information it contains are 3M property and may not be reproduced or further distributed without 3M permission, or used or disclosed other than for 3M authorized purposes. All rights reserved.		
		TITLE				
		INTERNAL MINISAS HD CABLE ASSEMBLY				
		CAGE NUMBER	SIZE	DRAWING NO.	REV.	
		D		78-5100-2555-0	B	
		MODEL		DET. <input type="checkbox"/> YES <input checked="" type="checkbox"/> NO SHT 1 OF 2		

78-5100-2555-0 DRAWING NUMBER
 06-12-2013 14:10 ASSEMBLY.PRT

3M™ HIGH ROUTABILITY INTERNAL HD MINISAS CABLE ASSEMBLIES, 8U SERIES
 VISIT <http://www.3Mconnectors.com>

WIRING DIAGRAMS

3M PART NUMBERING SCHEME

8US4 - XXX 19 - 00 - X.XX

"LENGTH" IN METERS

"LENGTH" TOLERANCE

±10MM FOR "LENGTH" 0.5 METER MAX
 ±15MM FOR "LENGTH" MORE THAN 0.5 METER

TABLE 1: DESCRIPTION FOR "XXX"

XXX	PINOUT
AA1	STD MINISAS HD 4i WITH SIDEBANDS (SEE TABLE 2)
CB1	MINISAS HD 4i WITHOUT SIDEBANDS (SEE TABLE 3)

NOTES

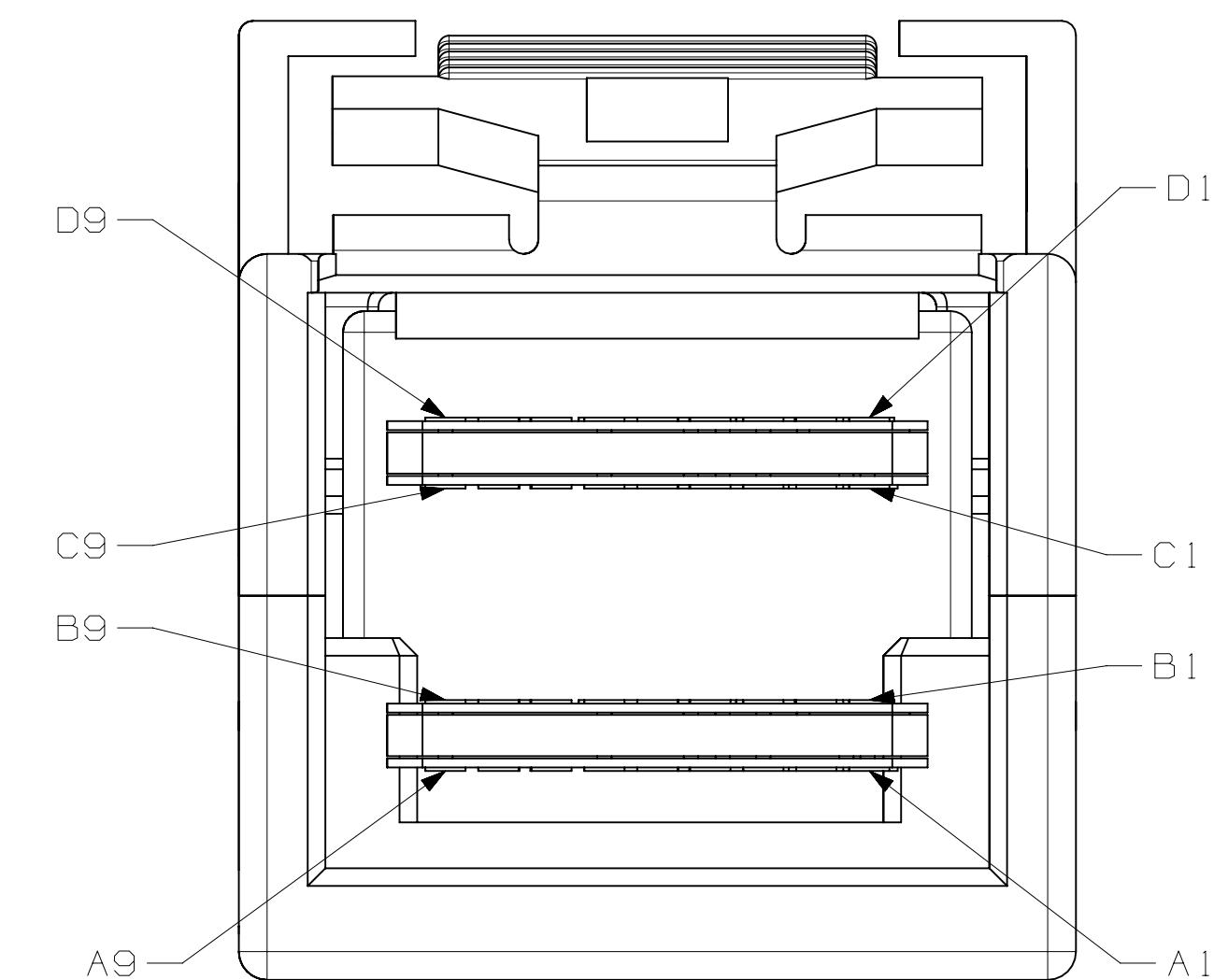
- MATERIALS:
 HOUSING: THERMOPLASTIC
 INNERMOULD: THERMOPLASTIC
 3M™ TWIN AXIAL CABLE:
 CONDUCTORS: SOLID COPPER
 INSULATOR: POLYOLEFIN
 SHIELDING: ALUMINIUM LAYER
 SIDEBAND CABLE:
 CONDUCTORS: SOLID COPPER
 INSULATOR: THERMOPLASTIC ELASTOMER
 PCB: LOW DIELECTRIC CONSTANT MATERIAL FOR HIGH SPEED APPLICATION
 BRAIDED SLEEVE: THERMOPLASTIC
- ROHS COMPLIANT. SEE REGULATORY INFORMATION APPENDIX IN "ROHS COMPLIANCE" SECTION AT WWW.3MCONNECTORS.COM (E1 & C1 APPLY)
- UNLESS OTHERWISE NOTED, REFERENCES TO INDUSTRY SPECIFICATIONS ARE INTENDED TO INDICATE SUBSTANTIAL COMPLIANCE TO THE MATERIAL ELEMENTS OF THE SPECIFICATION. SUCH REFERENCES SHOULD NOT BE CONSTRUED AS A GUARANTEE OF COMPLIANCE TO ALL REQUIREMENTS IN A GIVEN SPECIFICATION.
- PRODUCT SPECIFICATION*: 78-5102-0147-4

WIRING DIAGRAM 1				
P1		P2		
POSITION	SYMBOL	SYMBOL	POSITION	
D9	GROUND	---	GROUND	B9
D8	Tx2-	→→	Rx2-	B8
D7	Tx2+	→→	Rx2+	B7
D6	GROUND	---	GROUND	B6
D5	Tx0-	→→	Rx0-	B5
D4	Tx0+	→→	Rx0+	B4
D3	GROUND	---	GROUND	B3
D2	SIDEBAND 6	↔↔	SIDEBAND 5	D1
C1	SIDEBAND 4	↔↔	SIDEBAND 2	C2
C2	SIDEBAND 2	↔↔	SIDEBAND 4	C1
C3	GROUND	---	GROUND	A3
C4	Tx1+	→	Rx1+	A4
C5	Tx1-	→	Rx1-	A5
C6	GROUND	---	GROUND	A6
C7	Tx3+	→	Rx3+	A7
C8	Tx3-	→	Rx3-	A8
C9	GROUND	---	GROUND	A9
B9	GROUND	---	GROUND	D9
B8	Rx2-	←←	Tx2-	D8
B7	Rx2+	←←	Tx2+	D7
B6	GROUND	---	GROUND	D6
B5	Rx0-	←←	Tx0-	D5
B4	Rx0+	←←	Tx0+	D4
B3	GROUND	---	GROUND	D3
B2	SIDEBAND 1	↔↔	SIDEBAND 3	B1
B1	SIDEBAND 3	↔↔	SIDEBAND 1	B2
A1	SIDEBAND 7	↔↔	SIDEBAND 0	A2
A2	SIDEBAND 0	↔↔	SIDEBAND 7	A1
A3	GROUND	---	GROUND	C3
A4	Rx1+	←	Tx1+	C4
A5	Rx1-	←	Tx1-	C5
A6	GROUND	---	GROUND	C6
A7	Rx3+	←	Tx3+	C7
A8	Rx3-	←	Tx3-	C8
A9	GROUND	---	GROUND	C9

TABLE 2: WITH SIDEBANDS

WIRING DIAGRAM 2				
P1		P2		
POSITION	SYMBOL	SYMBOL	POSITION	
D9	GROUND	---	GROUND	B9
D8	Tx2-	→→	Rx2-	B8
D7	Tx2+	→→	Rx2+	B7
D6	GROUND	---	GROUND	B6
D5	Tx0-	→→	Rx0-	B5
D4	Tx0+	→→	Rx0+	B4
D3	GROUND	---	GROUND	B3
C3	GROUND	---	GROUND	A3
C4	Tx1+	→	Rx1+	A4
C5	Tx1-	→	Rx1-	A5
C6	GROUND	---	GROUND	A6
C7	Tx3+	→	Rx3+	A7
C8	Tx3-	→	Rx3-	A8
C9	GROUND	---	GROUND	A9
B9	GROUND	---	GROUND	D9
B8	Rx2-	←←	Tx2-	D8
B7	Rx2+	←←	Tx2+	D7
B6	GROUND	---	GROUND	D6
B5	Rx0-	←←	Tx0-	D5
B4	Rx0+	←←	Tx0+	D4
B3	GROUND	---	GROUND	D3
A3	GROUND	---	GROUND	C3
A4	Rx1+	←	Tx1+	C4
A5	Rx1-	←	Tx1-	C5
A6	GROUND	---	GROUND	C6
A7	Rx3+	←	Tx3+	C7
A8	Rx3-	←	Tx3-	C8
A9	GROUND	---	GROUND	C9

TABLE 3: WITHOUT SIDEBANDS



DESIGN REFERENCE	NEXT ASSEMBLY	REV	ECD	ISSUE DATE AND DESCRIPTION	DRFT	CHKD
		B	0046310	APR 1, 2013	KHL	SB
		A	0044954	DEC 13, 2012	KHL	SB
DISTRIBUTION CODES		DRN	KOK HOE LEE	DATE	DATE	DATE
		CHKD	YUNLONG QIAO	APR 1, 2013	APR 1, 2013	APR 1, 2013
DIVISION	DIVISION CODE	APPR	SAJJIT BANDHU	DATE	DATE	DATE
DO NOT SCALE DRAWING	SCALE 1/4	TOLERANCES EXCEPT AS NOTED				
		INCHES				
		MILLIMETERS				
THIRD ANGLE PROJECTION		INTERPRET PER ASME Y14.5 - 1994				
MAX SURFACE ROUGHNESS	125	ALL SURFACES				
		MARKED ONLY				
		ANGLES ±1°				
TITLE		INTERNAL MINISAS HD CABLE ASSEMBLY				
CAGE NUMBER	SIZE	DRAWING NO.	REV.			
D		78-5100-2555-0	B			
MODEL			SHT 2 OF 2			

78-5100-2555-0 DRAWING NUMBER
06-12-2013 14:10 ASSEMBLY.PRT