

# D Sub

## Plug Connector

898 Series



- Preassembled, one-piece body can reduce assembly time to one-third
- Available in 9, 15, 25 and 37 positions
- Accepts .050" flat ribbon and discrete wire, 26 and 28 AWG, solid and stranded cable
- Choice of preassembled open or closed covers
- Friction dimples give EMI/ESD protection
- Special locator plate reduces the risk of misalignment during assembly
- Fiber-free PVC blister packages of 25 speed loading of automated assembly equipment
- Threaded inserts for built-in convenience
- Cable strain relief, hooking directly to the metal shell, available

Date Modified: September 23, 1999

TS-0483-08  
Sheet 1 of 3

100

## Physical

### Insulation

Material: Glass Filled Polyester (PBT)  
Flammability: UL 94V-0  
Color: Gray

### Contact

Material: Phosphor Bronze  
Plating  
Underplate: 50  $\mu$ " (1.27  $\mu$ m) Nickel — QQ-N-290, Class 2  
Wiping Area: 15  $\mu$ " (0.38  $\mu$ m) Gold — MIL-G-45204, Type II, Grade C

### Shell

Material: Steel  
Plating: Tin

**Strain Relief Material:** Stainless Steel .016 (0.40) Thick

**Wire Accommodation:** 26 & 28 AWG Solid or Stranded

**Marking:** 3M Logo & Contact Position Numbers

## Electrical

**Current Rating:** 1 A

**Insulation Resistance:**  $> 1 \times 10^9 \Omega$  at 500 VDC

**Withstanding Voltage:** 1000 Vrms at Sea Level

## Environmental

**Temperature Rating:**  $-55^\circ$  to  $+105^\circ$

UL File No.: E68080

### 3M Interconnect Solutions Division

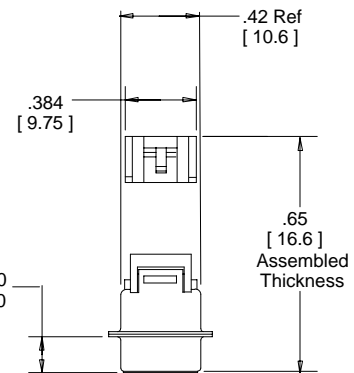
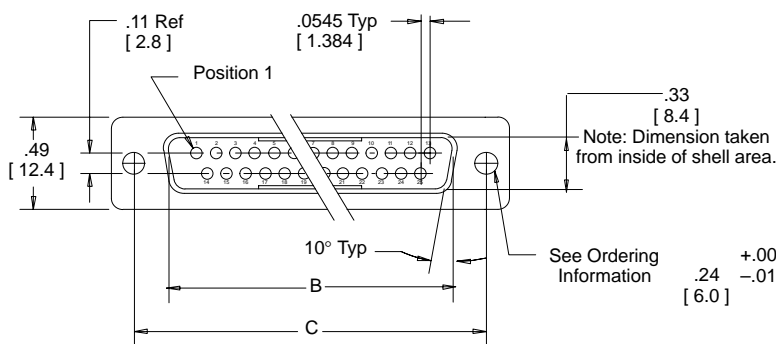
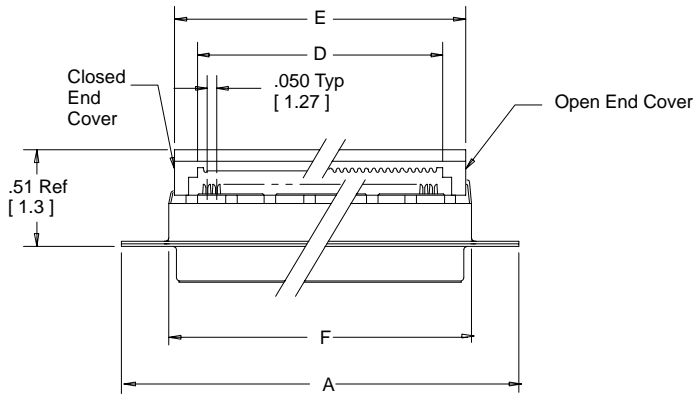
6801 River Place Blvd.  
Austin, TX 78726-9000

For technical, sales or ordering information call  
**800-225-5373**

# D Sub Plug Connector

898 Series

Contact Quantity	Dimensions					
	A	B	C	D	E	F ± .008
09	1.23 [ 31.2 ]	.67 [ 17.0 ]	.98 [ 24.9 ]	.46 [ 11.7 ]	.67 [ 17.0 ]	.70 [ 17.7 ]
15	1.56 [ 39.6 ]	1.00 [ 25.4 ]	1.31 [ 33.3 ]	.76 [ 19.3 ]	.99 [ 25.2 ]	1.03 [ 26.2 ]
25	2.10 [ 53.3 ]	1.54 [ 39.1 ]	1.85 [ 47.0 ]	1.27 [ 32.3 ]	1.54 [ 39.1 ]	1.57 [ 39.9 ]
37	2.74 [ 69.6 ]	2.18 [ 55.4 ]	2.50 [ 63.5 ]	1.87 [ 47.5 ]	2.19 [ 55.6 ]	2.22 [ 56.4 ]



Tolerance Unless Noted			
	.0	.00	.000
Inch	± .1	± .01	± .005

[ ] Dimensions for Reference only

## Ordering Information

### Connector 898XX-X00X

Contact Quantity

Cover Style:  
8 = Open Cover  
9 = Closed Cover  
Closed End along Pin #1 Row

Mounting Style:  
0 = ∅ .120 Hole  
3 = 4-40 UNC

### Strain Relief (Order Separately) 3448-8DXXA

09 = 9 Position  
15 = 15 Position  
25 = 25 Position  
37 = 37 Position

TS-0483-08  
Sheet 2 of 3

## 3M Interconnect Solutions Division

6801 River Place Blvd.  
Austin, TX 78726-9000

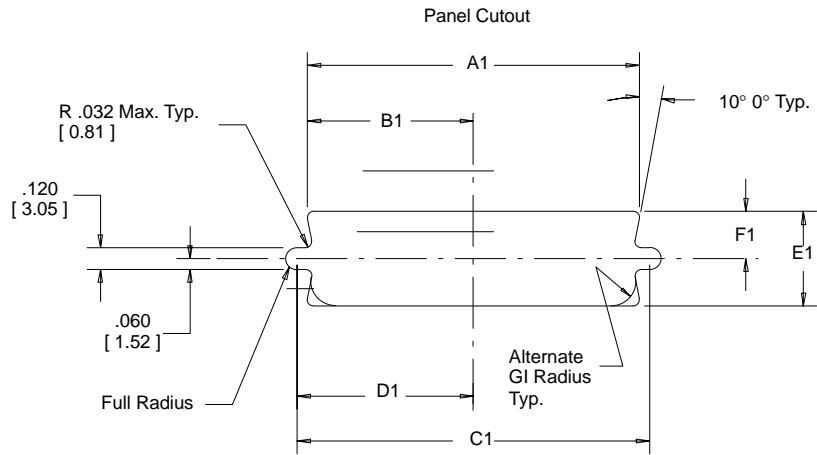
For technical, sales or ordering information call  
**800-225-5373**

# D Sub Plug Connector

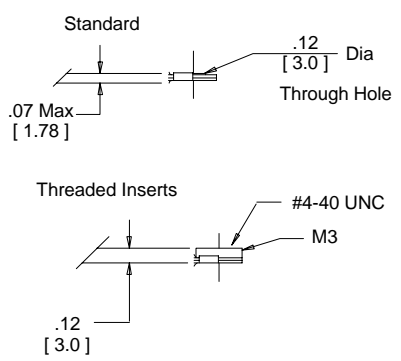
898 Series

Mounting Method*	Contact Quantity	Dimensions						
		A1	B1	C1	D1	E1	F1	G1
Front	9	.87 [ 22.0 ]	.44 [ 11.2 ]	.98 [ 24.9 ]	.49 [ 12.5 ]	.51 [ 13.0 ]	.26 [ 6.6 ]	.12 [ 3.1 ]
	15	1.20 [ 30.5 ]	.60 [ 15.2 ]	1.31 [ 33.3 ]	.66 [ 16.8 ]			
	25	1.74 [ 44.2 ]	.87 [ 22.1 ]	1.85 [ 47.0 ]	.93 [ 23.6 ]			
	37	2.39 [ 60.7 ]	1.20 [ 30.5 ]	2.50 [ 63.5 ]	1.25 [ 31.8 ]			
Rear	9	.81 [ 20.6 ]	.40 [ 10.2 ]	.98 [ 25.0 ]	.49 [ 12.5 ]	.45 [ 11.4 ]	.22 [ 5.8 ]	.12 [ 3.1 ]
	15	1.13 [ 28.7 ]	.57 [ 14.5 ]	1.31 [ 33.3 ]	.66 [ 16.8 ]			
	25	1.67 [ 42.4 ]	.84 [ 21.3 ]	1.85 [ 47.0 ]	.93 [ 23.6 ]			
	37	2.33 [ 59.2 ]	1.16 [ 29.5 ]	2.50 [ 63.5 ]	1.25 [ 31.6 ]			

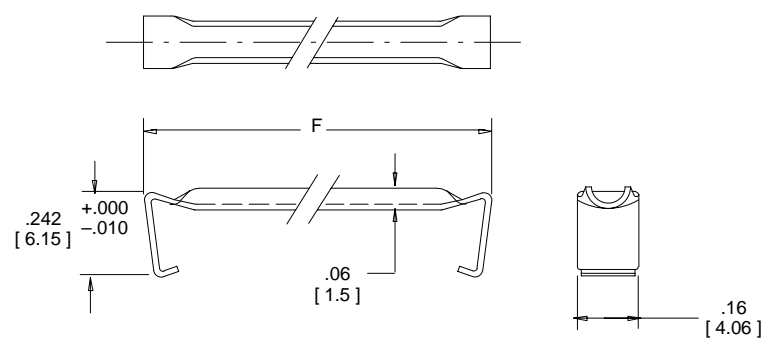
\* Front Mount—The connector is mounted in front of the panel.  
Rear Mount—The connector is mounted behind the panel.



### Mounting Styles



### Strain Relief (Order Separately or with Connector)



TS-0483-08  
Sheet 3 of 3