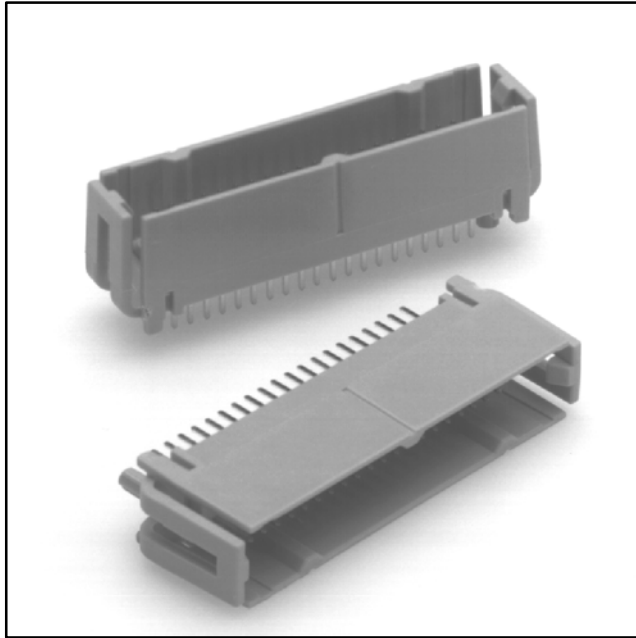


# 3M™ Pak 50 4-Wall, Tripolarized Header

.050" × .100" Low Profile, Straight, Molded-in Latch 810 Series



- Tripolarization to mating socket
- 50 mil × 100 mil halves the connector length
- Molded-in latch for space limited designs
- Two-row tail design saves board space
- Four-wall shroud provides contact protection
- Contacts: 40

Date Modified: May 25, 2005

TS-0482-11  
Sheet 1 of 3

## Physical

**Insulation**  
Material: Glass Filled Polyester (PBT)  
Flammability: UL 94V-0  
Color: Gray

**Contact**  
Material: Copper Alloy

**Plating**  
Underplating: 100  $\mu$ " [ 2.54  $\mu$ m ] Nickel — QQ-N-290, Class 2  
Wiping Area: 30  $\mu$ " [ 0.76  $\mu$ m ] Gold — MIL-G-45204, Type II, Grade C  
Solder Tails: 200  $\mu$ " [ 5.08  $\mu$ m ] Tin Lead

**Marking:** Orientation Triangle and 3M Logo

File Replace by consolidated ts file:

## Electrical

**Current Rating:** 0.5 A  
**Insulation Resistance:**  $> 1 \times 10^9 \Omega$  at 500 Vdc  
**Withstanding Voltage:** 500 Vrms at Sea Level

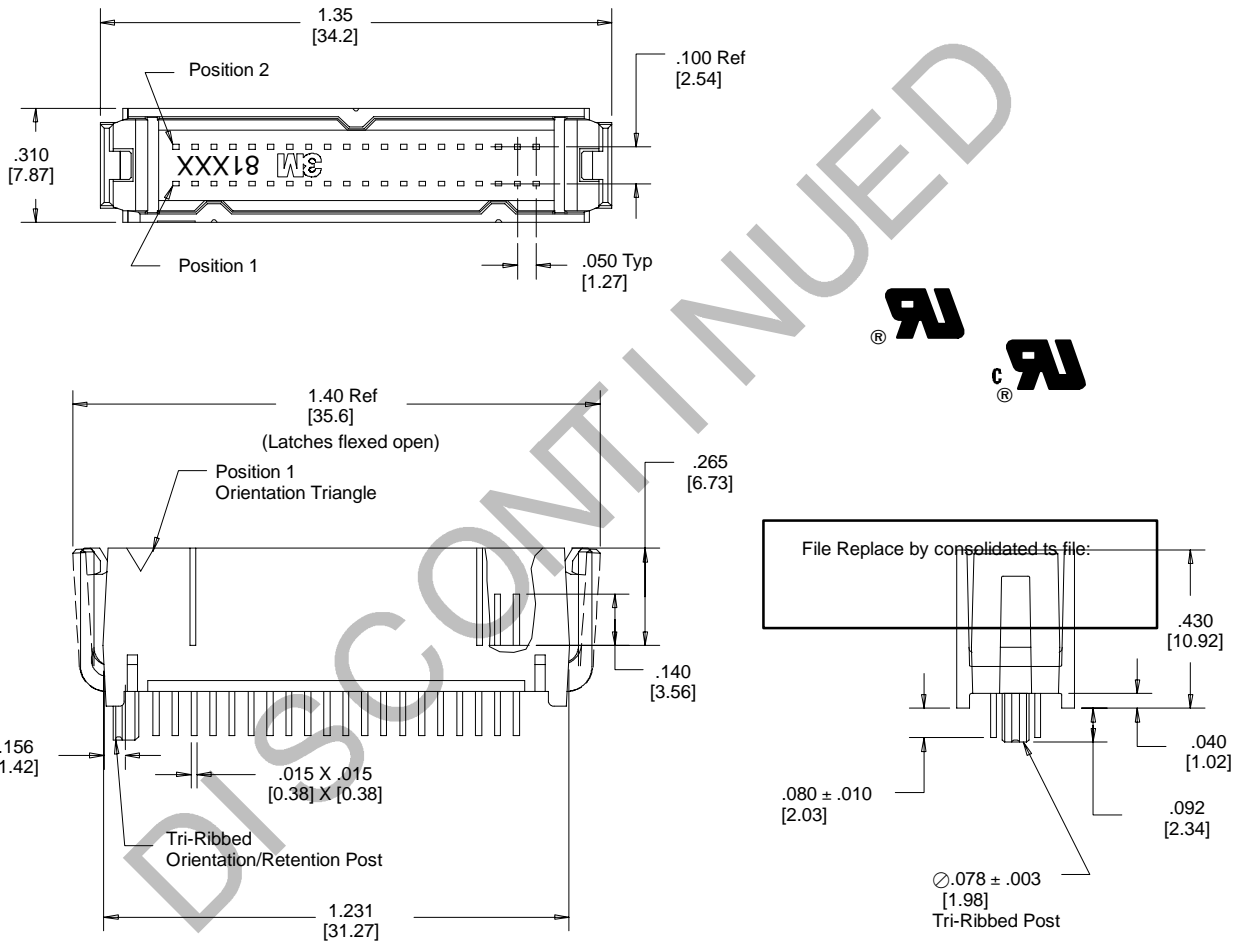
## Environmental

**Temperature Rating:** -55°C to +105°C

UL File No.: E68080

# 3M™ Pak 50 4-Wall, Tripolarized Header .050" × .100" Low Profile, Straight, Molded-in Latch

810 Series



		Inch [mm]		
		Tolerance Unless Noted		
		.0	.00	.000
Inch		± .1	± .01	± .005

[ ] Dimensions for Reference only

## Ordering Information

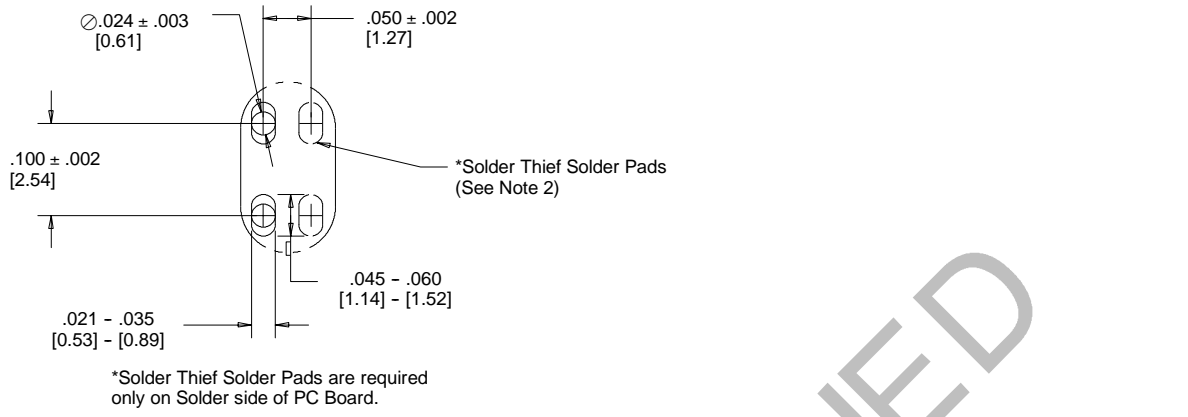
**Header**  
**81040-U10204**

TS-0482-11  
Sheet 2 of 3

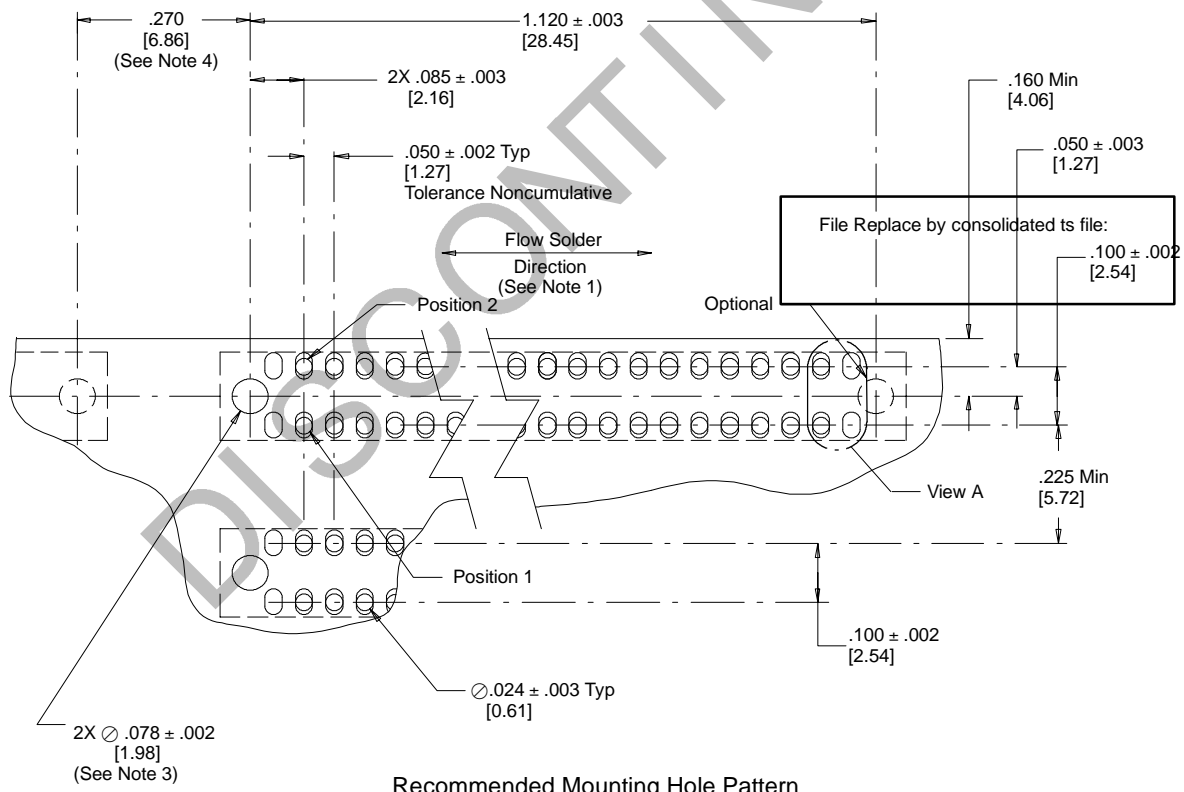
# 3M™ Pak 50 4-Wall, Tripolarized, Low Profile Header

.050" × .100" Low Profile, Straight, Molded-in Latch

810 Series



**View A**



**Recommended Mounting Hole Pattern**  
(Shown for mounting side of PC Board)

**Notes:**

1. Recommended to process PC Boards PC Board (thickness .062 [1.57]) through the solder bath such that the connector enters end first (two solder tails at a time). This will help prevent solder bridging.
2. A Solder Thief Solder Pad (Dummy Pad) at the end of each row is recommended on the bottom or solder side of the PC Board in order to help prevent solder bridging on the end solder tails. The Solder Thiefs are only required on the end of the rows which leave the solder bath last.
3. In order to retain the connector on the PC Board during the assembly and soldering process, it is recommended to have a through hole diameter of  $.071 \pm .002$  [1.80].
4. In order to facilitate unmounting of the system, it is recommended to use the 3490-2 Pull Tab with the mating  $.050" \times .100"$  Wiremount Socket.

TS-0482-11  
Sheet 3 of 3

## Important Notice

All statements, technical information, and recommendations related to 3M's products are based on information believed to be reliable, but the accuracy or completeness is not guaranteed. Before using this product, you must evaluate it and determine if it is suitable for your intended application. You assume all risks and liability associated with such use. Any statements related to the product which are not contained in 3M's current publications, or any contrary statements contained on your purchase order shall have no force or effect unless expressly agreed upon, in writing, by an authorized officer of 3M.

# 3M

## Electronics

6801 River Place Blvd.  
Austin, TX 78726-9000  
800/328-1368  
[www.3M.com/electronics](http://www.3M.com/electronics)

## Warranty; Limited Remedy; Limited Liability.

This product will be free from defects in material and manufacture for a period of one (1) year from the time of purchase. **3M MAKES NO OTHER WARRANTIES INCLUDING, BUT NOT LIMITED TO, ANY IMPLIED WARRANTY OF MERCHANTABILITY OR FITNESS FOR A PARTICULAR PURPOSE.** If this product is defective within the warranty period stated above, your exclusive remedy shall be, at 3M's option, to replace or repair the 3M product or refund the purchase price of the 3M product. **Except where prohibited by law, 3M will not be liable for any indirect, special, incidental or consequential loss or damage arising from this 3M product, regardless of the legal theory asserted.**



Minimum 10%  
Post-Consumer Fiber

Printed in USA.

© 3M 2005