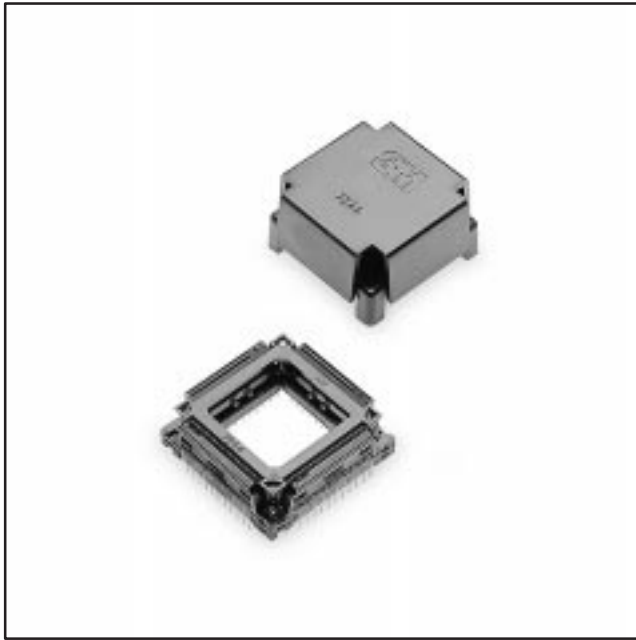


OEM PQFP Sockets



- Accepts JEDEC MO-069 packages, lead counts 84, 100 and 132
- .025"(0.64mm) center line contacts for high-density packaging
- Lid design separates, maintains IC lead spacing
- Lid acts as package carrier and transport protector
- Lid is compatible with conventional package shipping tubes and trays
- Slotted, "open" socket walls and corners permit airflow around captured package (aids in package heat dissipation)
- Latches secure lid/package assembly to base
- Mirror image contact pin-out available on most lead counts
- Required tooling available in two styles

Date Issued: October 29, 2001

TS-0361-13
Sheet 1 of 3

Physical

Insulation

Material: Glass Filled Polyethersulfone (PES)
Flammability: UL 94V-0
Color: Black

Contact

Material: Beryllium Copper
Plating
Underplate: 50 μ " [1.27 μ m] Nickel
Wiping Area & Solder Tails: 200 μ " [5.08 μ m] 60/40 Tin Lead

Latching Aid

Material: Polycarbonate (PC)
Color: Black

Marking: Raised Letters: 3M Logo & Part Identification

Electrical

Current Rating: 1 A
Insulation Resistance: $> 1 \times 10^{12} \Omega$ at 500 Vdc
Withstanding Voltage: 1000 Vrms at Sea Level

Mechanical

Durability: 25 actuations
Normal Force: 150 grams average per contact

Environmental

Temperature Rating Operating: 0°C to +105°C

UL File No.: E68080

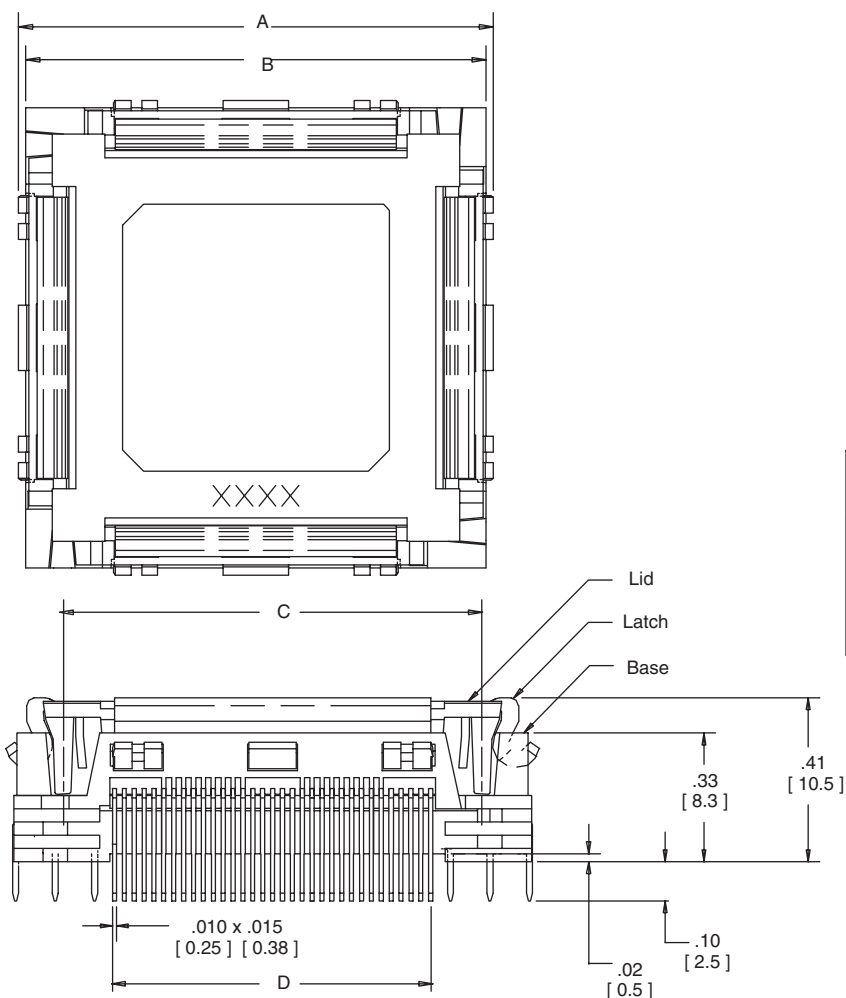
3M Electronic Handling and Protection Division

6801 River Place Blvd.
Austin, TX 78726-9000

For technical, sales or ordering information call **800-328-0411**
or visit our website: <http://www.3M.com/ehpd>

OEM PQFP Sockets

| Lead Count | Dimensions | | | |
|------------|---------------|---------------|------------------|--|
| | A Sq. | B Sq. | C +.004 -.006 | D ± .002 [0.05] |
| 100 | 1.15 [29.2] | 1.11 [28.2] | .860 [21.84] | 24 Eq. Spaces @ .025 [0.64] = .600 [15.24] |
| 132 | 1.35 [34.3] | 1.31 [33.3] | 1.060 [26.92] | 32 Eq. Spaces @ .025 [0.64] = .800 [20.32] |



| | Tolerance $\frac{\text{inch}}{\text{mm}}$ | |
|-----------|---|-------------------|
| Dimension | .00 (.0) | .000 (.00) |
| Tolerance | ± .010 (± .25) | ± .005 (± .13) |

Ordering Information

| Lead Count | Part Number | Latching Aid Part Number |
|------------|-------------------|--------------------------|
| 100 | 2100-7243-XX-1807 | 400-7243-00-9900 |
| 132 | 2132-7244-YY-1807 | 400-7244-00-9900 |

XX = 00 Standard 3M PC Pattern
50 Alternate PC Pattern

YY = 70 Standard 3M PC Pattern
75 Alternate PC Pattern

TS-0361-13
Sheet 2 of 3

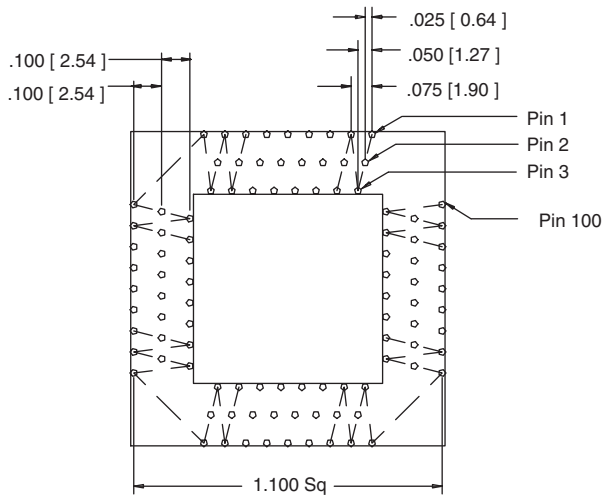
3M Electronic Handling and Protection Division

6801 River Place Blvd.
Austin, TX 78726-9000

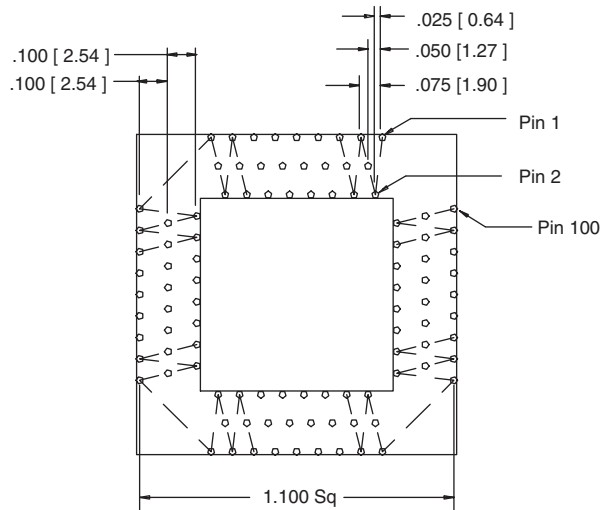
For technical, sales or ordering information call **800-328-0411**
or visit our website: <http://www.3M.com/ehpd>

OEM PQFP Sockets

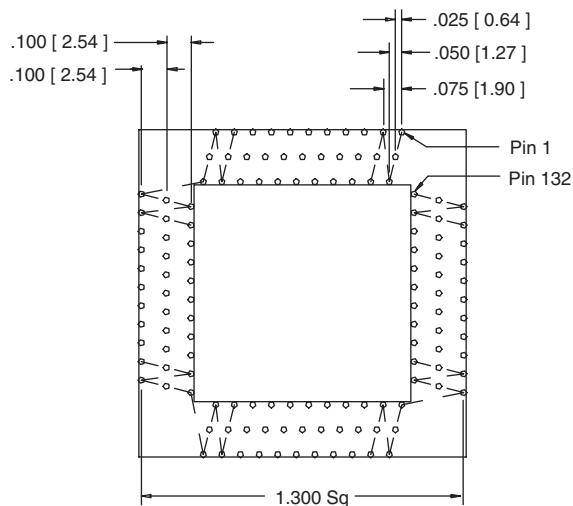
PCB Patterns Component Side



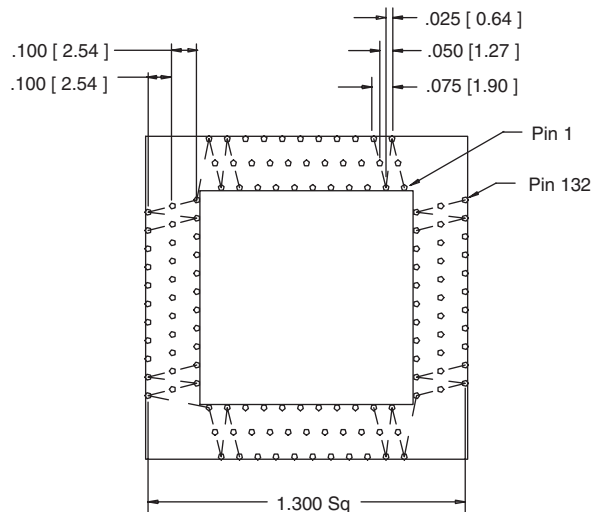
2100-7243-00-1807



2100-7243-50-1807



2132-7244-70-1807



2132-7244-75-1807

| Dimension | Tolerance $\frac{\text{inch}}{\text{(mm)}}$ | |
|-----------|---|-----------------------------|
| | $\frac{.00}{(.0)}$ | $\frac{.000}{(.00)}$ |
| Tolerance | $\pm .010$ ($\pm .25$) | $\pm .005$ ($\pm .13$) |

TS-0361-13
Sheet 3 of 3